

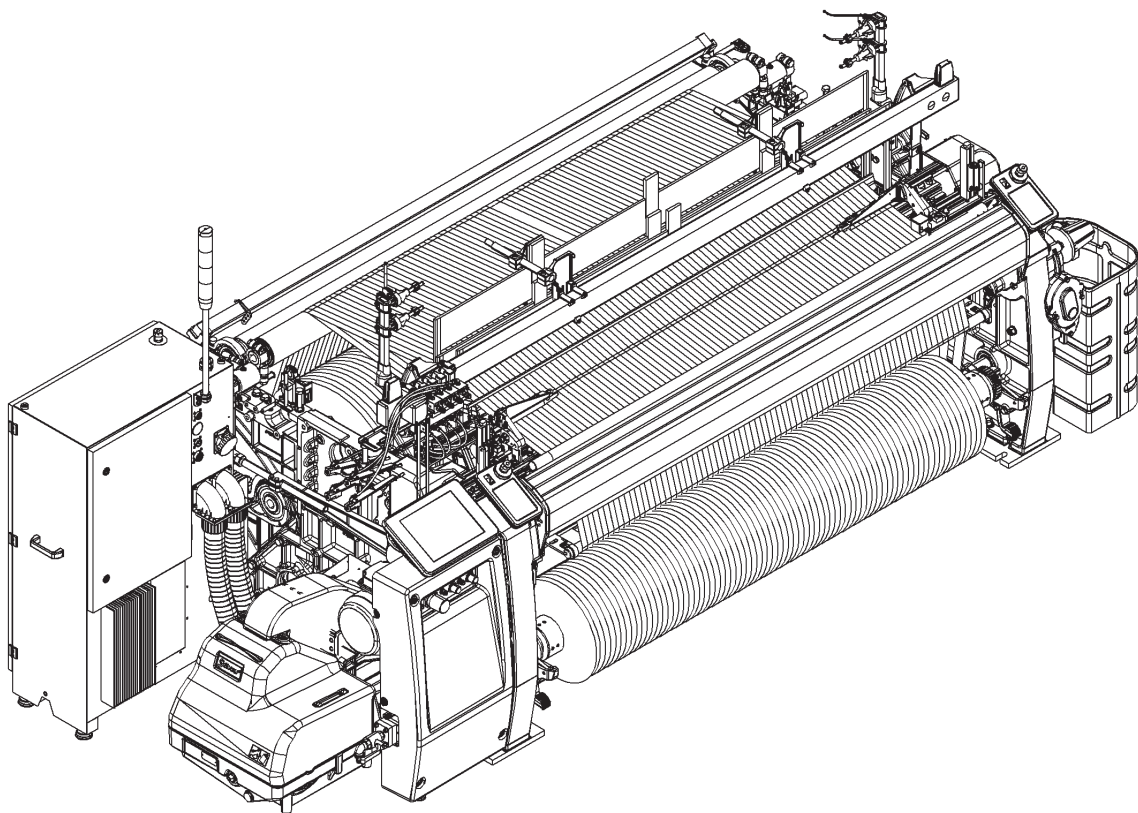
itema

A9500^{QRP}

A9500^e^{QRP}

A9500^p^{QRP}

Air Jet weaving machine



Cod. 120717043.1 A

Spare parts catalog

Manufacturer's address:

ITEMA S.p.A.

Via Cav. Gianni Radici, 4
24020 COLZATE (BG) Italia

Legal and Administrative Offices

Via Cav. Gianni Radici, 4 - 24020 COLZATE (BG) Italia

Commercial Offices

Via Cav. Gianni Radici, 4 - 24020 COLZATE (BG) Italia
Tel. (+39) 035 7282111 Fax (+39) 035 740505 E-mail: info@itemagroup.com

Customer Service

Via Cav. Gianni Radici, 4 - 24020 COLZATE (BG) Italia
Tel. (+39) 035 7285111 Fax (+39) 035 7285400
E-mail: customerservice.itemaweaving@itemagroup.com

*All rights reserved. The text and graphics in this publication are the property of
ITEMA S.p.A.*

*No part of this publication may be reproduced or transmitted to third parties without the prior permission of
ITEMA S.p.A.*

***ITEMA S.p.A.** reserves the right to make changes to this publication without notice*

How to use the ITEMA spare-parts catalogue

The layout of this catalogue is designed to make it easier to use and to highlight any changes that may be made to the components shown, thus avoiding the risk of errors when ordering spare-parts.

The machine has been split into sub-groups, lettered A.....Z as shown in the contents list and the relevant overall drawings.

Each table in this catalogue has been given a code to ensure that any changes are recorded and dated, meaning that the validity of the table itself is obvious.

e.g. **D0501-00** dated **06/10/2000** means:

- that the table refers to sub-group D (Sley Box),
- that this is table 0501 of the sub-group,
- that this is revision 00 of the table created on 06/10/2000.

Each table has the wording **Lots valid from to** under its main title:

- if the space is empty, it means that the table is valid for machines in all lots;
- if only the end-validity date is shown, it means that the table is only valid for machines in lots up to the one shown (including this);
- if only the start-validity date is shown, it means that the table is only valid for machines in lots from the one shown onwards (including this);
- if both dates are shown, it means that the table is only valid for machines in the lots included between those shown.

N.B.: the machine serial n° plate indicates the production lot.

Each table also bears the following information on various parts or subgroups:

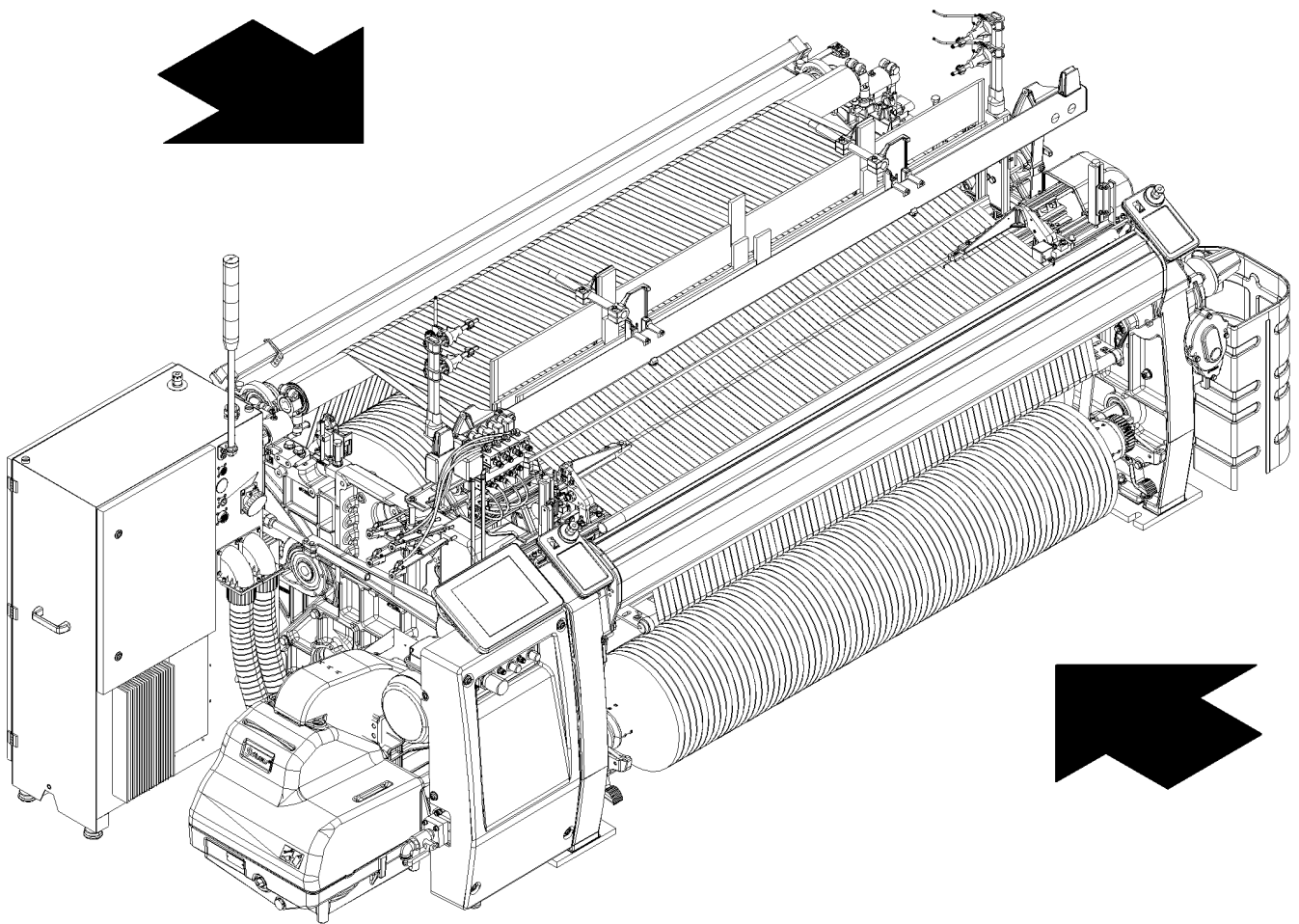
- **Position:** this is the cross-reference for the part shown in the drawing and the code list.
- **Code:** this is the number of the individual part or subgroup in the shown position.
- **Width:** the nominal width of the machine is shown if the part changes its code as a result of this.
- **Notes:** various useful notes are added to help identify the part or place an order.
- **Lots:** this space is used to indicate that there are changes to the validity of the various parts in the table (with regard to the machine production lot).

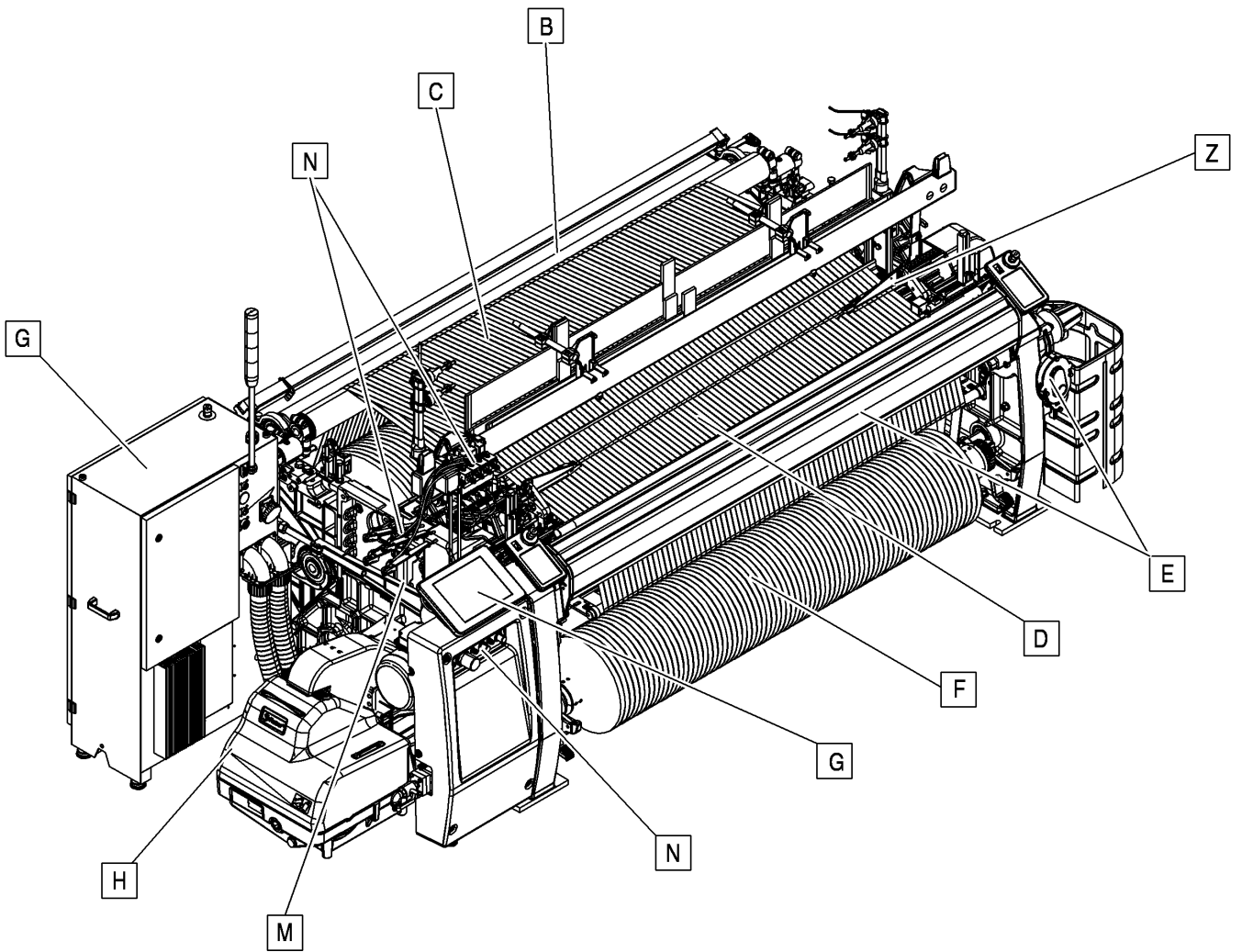
By “weaver’s side” we mean the operating position facing the front of the machine and by “beam side” we mean that at the rear of the machine. The left and right-hand sides are as seen from the front of the machine (“weaver’s side”).

A9500

120717043.1 A - SPARE PARTS
INDEX

14/06/2017

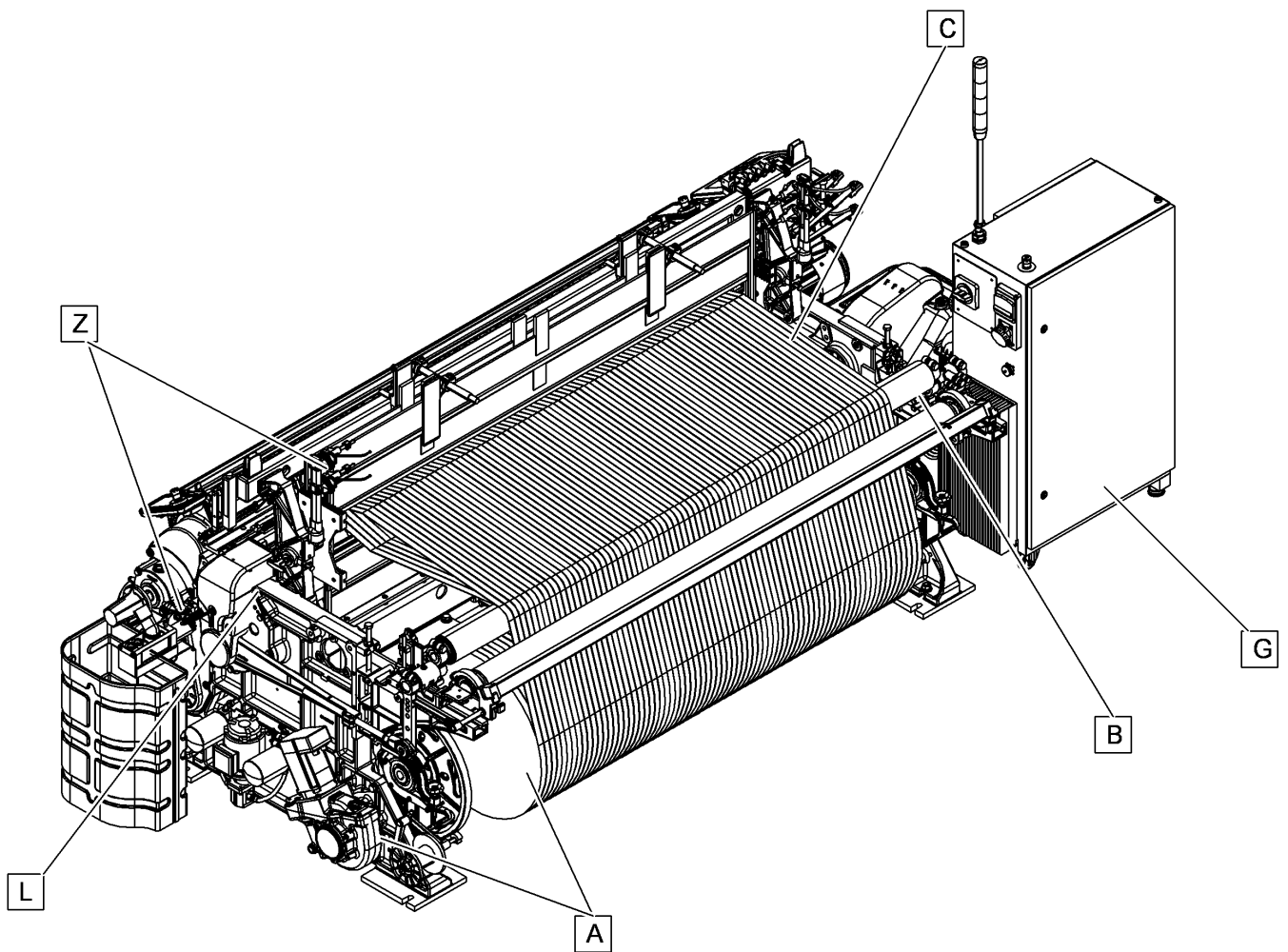




A9500

120717043.1 A - SPARE PARTS
INDEX

14/06/2017



A9500	120717043.1 A - SPARE PARTS INDEX	14/06/2017
-------	--------------------------------------	------------

A - BEAMS

- AA007-00 SUPPORT FOR SIMPLE BEAM TBM Ø800 - A9500e
- AA010-00 ISO-DIN PBC-SBM SINGLE BEAMS (WITH FLANGES CLASS Q2)
- AA011-00 ISO-DIN STANDARD SINGLE BEAMS (WITH FLANGES CLASS Q2)
- AA012-00 ISO-DIN PBC-SBM SINGLE BEAMS (WITH FLANGES CLASS Q3)
- AA013-00 ISO-DIN STANDARD SINGLE BEAMS (WITH FLANGES CLASS Q3)
- AA015-00 ISO-DIN PBC-SBM SINGLE BEAMS (WITH FLANGES CLASS Q4)
- AA018-00 ISO-DIN STANDARD SINGLE BEAMS (WITH FLANGES CLASS Q4)
- AA019-00 TWIN BEAMS
- AA020-00 LET-OFF DEVICE
- AA024-00 LET-OFF DEVICE - A9500e
- AA030-00 BEAM COVER
- AA105-00 SUPPORT FOR SBM SIMPLE BEAM Ø800 - Ø1000 - Ø1100
- AA110-00 RIGHT SIDE SUPPORT FOR SBM TWIN BEAM Ø800 - Ø1000 - Ø1100
- AA115-00 LEFT SIDE SUPPORT FOR SBM TWIN BEAM Ø800 - Ø1000 - Ø1100
- AA120-00 CENTRAL SUPPORT FOR SBM TWIN BEAM Ø800 - Ø1000 - Ø1100
- AA130-00 RIGHT SIDE SUPPORT FOR SBM UPPER BEAM
- AA135-00 LEFT SIDE SUPPORT FOR SBM UPPER BEAM
- AA140-00 SUPPORT FOR STANDARD BEAM Ø800 - Ø1000 - Ø1100
- AA205-00 SUPPORT FOR PBC SIMPLE BEAM Ø800 - Ø1000 - Ø1100
- AA215-00 LEFT SIDE SUPPORT FOR PBC TWIN BEAM Ø800 - Ø1000 - Ø1100
- AA220-00 CENTRAL SUPPORT FOR PBC TWIN BEAM Ø800 - Ø1000 - Ø1100
- AA225-00 RIGHT SIDE SUPPORT FOR PBC UPPER BEAM
- AA230-00 LEFT SIDE SUPPORT FOR PBC UPPER BEAM

B - BACK ROLLERS

- BA001-00 SUPPORTS FOR DRIVEN BACKREST
- BA001-01 SUPPORTS FOR DRIVEN BACKREST Valid lots from YE07
- BA005-00 DRIVEN BACKREST FOR THE SIMPLE BEAM - CYKINDERS BLOCKED
- BA007-00 DRIVEN BACKREST FOR THE SIMPLE BEAM - ROTATING CYKINDERS Valid lots from YA01 to YD08
- BA008-00 DRIVEN BACKREST FOR THE SIMPLE BEAM - ROTATING CYKINDERS - PART. 1 Valid lots from YD09
- BA009-00 DRIVEN BACKREST FOR THE SIMPLE BEAM - ROTATING CYKINDERS - PART. 2 Valid lots from YD09
- BA010-00 MECHANICAL DRIVE FOR DRIVEN BACKREST Valid lots from to YC12
- BA010-01 MECHANICAL DRIVE FOR DRIVEN BACKREST Valid lots from YD01
- BA015-00 ELASTIC BACKREST WITH TWO ROLLERS FOR SIMPLE BEAM
- BA015-01 ELASTIC BACKREST WITH TWO ROLLERS FOR SIMPLE BEAM Valid lots from YE11
- BA020-00 WARP THREADS RECOVERY DEVICE
- BA030-00 BACK EMERGENCY PUSHBUTTON

C - WARP STOP MOTIONS

- CA001-00 LATERAL SUPPORTS FOR WARP STOP MOTION

D - SLEY

- DA001-00 FRONT FABRIC SUPPORT BAR
- DA005-00 TELESCOPIC FRONT FABRIC SUPPORT BAR
- DA030-00 SLEY AND SHAFT
- DA035-00 CONNECTION SHAFT Valid lots from to YD07
- DA035-01 CONNECTION SHAFT Valid lots from YD08

E - FABRIC WINDING

- EA001-00 ELECTRONIC TAKE-UP DEVICE
- EA005-00 CLOTH WIDENING THREADED BAR NOT CROPPED
- EA010-00 CLOTH WIDENING THREADED BAR CROPPED
- EA015-00 CLOTH WIDENING SMOOTH BAR
- EA020-00 CLOTH WIDENING THREADED BAR FOR 2 CLOTHS (2600 ÷ 3600)
- EA030-00 FABRIC WINDING FOR THE LOOMS Valid lots from to YE01
- EA030-01 FABRIC WINDING FOR THE LOOMS Valid lots from YE02

A9500	120717043.1 A - SPARE PARTS	
	INDEX	14/06/2017

EA035-00 FABRIC WINDING FOR THE LOOMS (DOUBLE PRESSING ROLLER)
EA040-00 FABRIC WINDING FOR THE LOOMS (SUPPORT DOUBLE PRESSING ROLLER)
EA050-00 FRONT PLATE - PUSHBUTTON PANEL

F - CLOTH ROLLER

FA001-00 CLOTH ROLLER Valid lots from YA01 to YC09
FA002-00 CLOTH ROLLER TAKE-UP Valid lots from YC10
FA003-00 CLOTH ROLLER WITHOUT COMPACTOR Valid lots from YC10
FA004-00 CLOTH ROLLER WITH COMPACTOR Valid lots from YC10
FA006-00 EXTERNAL CLOTH ROLLER WITH COMPACTOR Valid lots from YC10
FA010-00 SPREAD BAR-SMOOTH ANTICREASE BAR

G - SWITCH BOARD

GA001-00 CONSOLE
GA010-00 MAIN ELECTRICAL BOX
GA015-00 MAIN ELECTRICAL BOX - COMPONENTS
GA020-00 MAIN ELECTRICAL BOX - CARDS

H - CROSS MEMBERS AND SUPPORTS

HA001-00 MAIN AND SECONDARY CROSSBAR
HA005-00 SHOULDERS AND CROSS BARS FOR JACQUARD VERSION - LED LAMPS
HA010-00 2-BRIDGE TIE-ROD SUPPORTS (1900-2600) FOR LOOMS WITH DOBBY AND EXTERNAL TAPPET MOTION Valid lots from to YC11
HA010-01 2-BRIDGE TIE-ROD SUPPORTS (1900-2600) FOR LOOMS WITH DOBBY AND EXTERNAL TAPPET MOTION Valid lots from YC12
HA015-00 3-BRIDGE TIE-ROD SUPPORTS (2800-3600) FOR LOOMS WITH DOBBY AND EXTERNAL TAPPET MOTION Valid lots from to YC11
HA015-01 3-BRIDGE TIE-ROD SUPPORTS (2800-3600) FOR LOOMS WITH DOBBY AND EXTERNAL TAPPET MOTION Valid lots from YC12
HA025-00 SIDE MEMBERS CONNECTIONS FOR JACQUARD VERSION
HA040-00 UPPER HEALD GUIDES FOR LOOMS WITH DOBBY OR TAPPET MOTION
HA040-01 UPPER HEALD GUIDES FOR LOOMS WITH DOBBY OR TAPPET MOTION
HA045-00 LOWER HEALD GUIDES FOR LOOMS WITH DOBBY OR TAPPET MOTION

L - LOOM - RIGHT SIDE

LA001-00 RIGHT HAND DRIVE BOX HI DRIVE VERSION FOR LOOMS WITH DOBBY OR TAPPET MOTION
LA020-00 LUBRICATION Valid lots from to YD07
LA020-01 LUBRICATION Valid lots from YD08
LA025-00 OIL PUMP
LA030-00 LUBRICATION LEFT SIDE - A9500e
NA037-00 PNEUMATIC MODULE 4 COLOURS HOOKING FOR JACQUARD VERSION

M - LOOM - LEFT SIDE

MA001-00 LEFT HAND DRIVE BOX HI DRIVE VERSION FOR LOOMS WITH DOBBY OR TAPPET MOTION
MA005-00 LEFT HAND DRIVE BOX HI DRIVE VERSION FOR LOOMS WITH JACQUARD

N - PNEUMATIC SYSTEM

NA001-00 2 AND 4 COLOUR MAIN LAUNCHING NOZZLES
NA005-00 2 AND 4 COLOUR - B.L.C.- MAIN LAUNCHING NOZZLES
NA008-00 PRE-PRENOZZLES Valid lots from to YF05
NA010-00 PRENOZZLES
NA012-00 PRENOZZLES - A9500e
NA015-00 SOLENOID VALVES AND NOZZLE
NA020-00 MAIN ADJUSTERS PNEUMATIC PANEL 2 COLOURS Valid lots from to YE12
NA025-00 MAIN ADJUSTERS PNEUMATIC PANEL 4 COLOURS Valid lots from to YE12
NA030-00 PNEUMATIC PANEL Valid lots from to YE12
NA030-01 PNEUMATIC PANEL Valid lots from YF01
NA031-00 PNEUMATIC PANEL WITH TANDEM EXTENSION NOZZLE

A9500	120717043.1 A - SPARE PARTS INDEX	14/06/2017
-------	--------------------------------------	------------

NA032-00 PNEUMATIC PANEL -A9500e
 NA035-00 PNEUMATIC MODULE 2 COLOURS
 NA040-00 PNEUMATIC MODULE 4 COLOURS
 NA042-00 PNEUMATIC MODULE WITH TANDEM EXTENSION NOZZLE
 NA045-00 PNEUMATIC MODULE - A9500e
 NA050-00 SOLENOID VALVES COLOURS DRIVE - A9500e
 NA055-00 AUXILIARY SOLENOID VALVES FOR JACQUARD VERSION
 NA060-00 AUXILIARY SOLENOID VALVES
 NA065-00 2 - 4 COLOURS AIR TANK
 NA070-00 AIR DISTRIBUTOR MODULE BY SW. PART.1 Valid lots from YF01
 NA075-00 AIR DISTRIBUTOR MODULE BY SW. PART.2 Valid lots from YF01
 NA080-00 AIR DISTRIBUTOR MODULE BY HAND. PART.1 Valid lots from YF01
 NA085-00 AIR DISTRIBUTOR MODULE BY HAND. PART.2 Valid lots from YF01
 NA090-00 AIR DISTRIBUTOR MODULE BY HAND WITH TANDEM EXTENSION NOZZLES. PART.1 Valid lots from YF01
 NA095-00 AIR DISTRIBUTOR MODULE BY HAND WITH TANDEM EXTENSION NOZZLES. PART.2 Valid lots from YF01
 NA100-00 AIR DISTRIBUTOR MODULE BY SW. WITH TANDEM EXTENSION NOZZLES. PART.1 Valid lots from YF01
 NA105-00 AIR DISTRIBUTOR MODULE BY SW. WITH TANDEM EXTENSION NOZZLES. PART.2 Valid lots from YF01

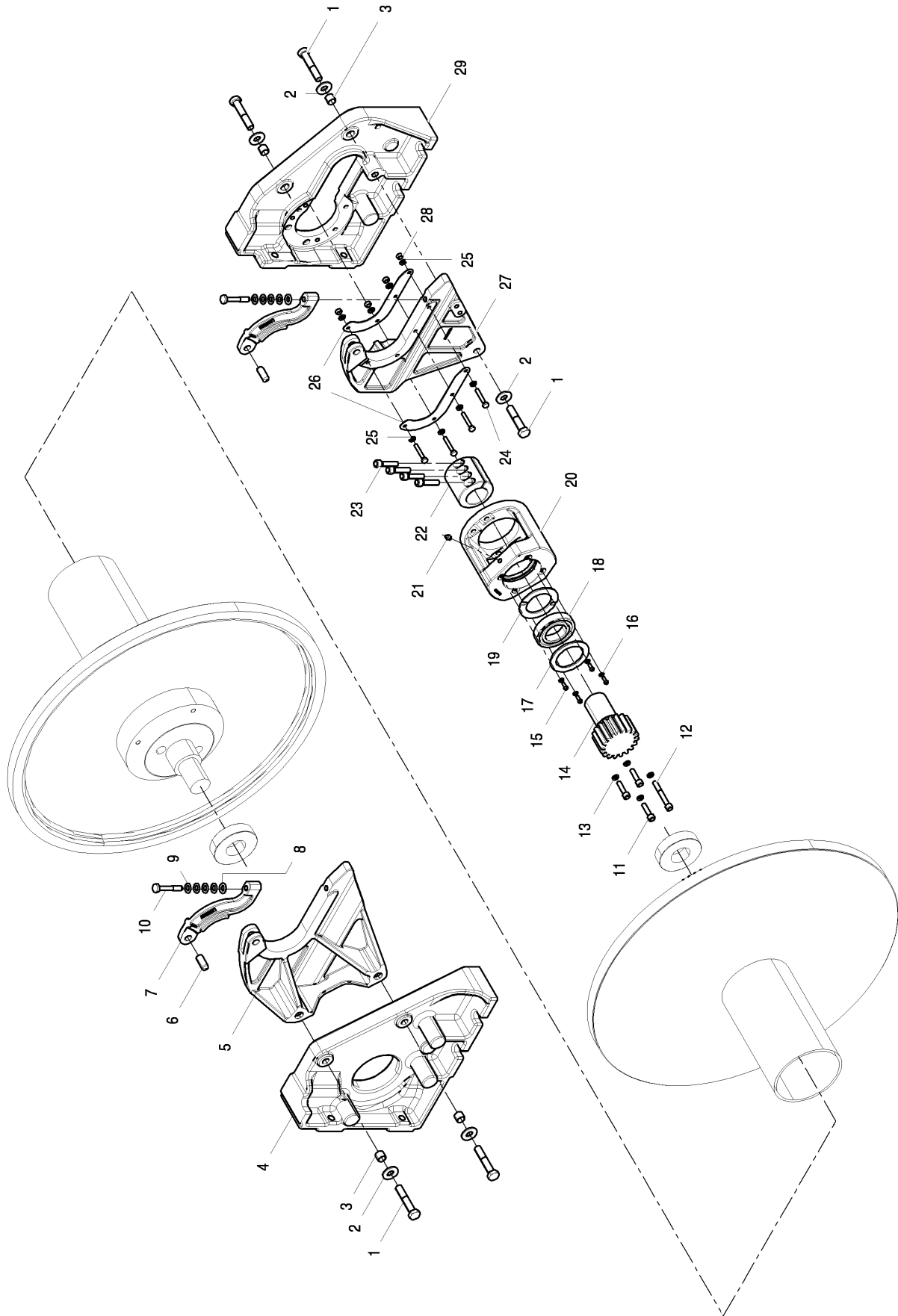
Z - ACCESSORIES

ZA001-00 CENTRAL LENO DEVICE
 ZA003-00 - ELD - ELECTROMECHANICAL LENO DEVICE - ELD - Valid lots from YA01 to YD10
 ZA003-01 - ELD - ELECTROMECHANICAL LENO DEVICE - ELD - Valid lots from YD11
 ZA005-00 - RLD - PLANET TYPE LENO DEVICE
 ZA007-00 THREAD GUIDE FOR RIGHT - RLD - PLANET TYPE LENO DEVICE
 ZA010-00 - MECHANICAL RLD - TRANSMISSION PLANET TYPE LENO DEVICE - A9500e
 ZA012-00 - MECHANICAL RLD - PLANET TYPE LENO DEVICE - A9500e
 ZA014-00 - MECHANICAL RLD - MOTION PLANET TYPE LENO DEVICE - A9500e
 ZA016-00 - ISD - CENTRAL LENO DEVICE
 ZA018-00 - ISD - LEFT AND RIGHT LENO DEVICE
 ZA022-00 RIGHT SIDE ASPIRATOR
 ZA024-00 F.A.R. FILLING AUTOMATIC REPAIR
 ZA025-00 WEFT PHOTOCELLS WITH SHORT REED
 ZA027-00 SUCTION DEVICE MOTOR AND FILTER
 ZA029-00 SUCTION DEVICE FOR WASTE SELVEDGE
 ZA050-00 LH. CUTTER ELECTRONIC SYSTEM WITH WEFT STOPPING
 ZA052-00 RH. CUTTER ELECTRONIC SYSTEM
 ZA054-00 RIGHT LATERAL ELECTRICAL CUTTER FOR FALSE SELVEDGE
 ZA054-01 RIGHT LATERAL ELECTRICAL CUTTER FOR FALSE SELVEDGE
 ZA056-00 CENTRAL ELECTRICAL CUTTER FOR FALSE SELVEDGE
 ZA060-00 LATERAL THERMIC CUTTERS
 ZA060-01 LATERAL THERMIC CUTTERS
 ZA061-00 R.H. OSCILLATING PNEUMATIC TUCK - IN DEVICE ETV
 ZA062-00 R.H. OSCILLATING PNEUMATIC TUCK - IN DEVICE
 ZA063-00 R.H. OSCILLATING PNEUMATIC TUCK - IN DEVICE SUPPORT
 ZA064-00 R.H. OSCILLATING PNEUMATIC TUCK - IN DEVICE FITTING
 ZA065-00 R.H. PNEUMATIC TUCK - IN DEVICE
 ZA067-00 L.H. PNEUMATIC TUCK - IN DEVICE
 ZA069-00 CENTRAL PNEUMATIC TUCK - IN DEVICE
 ZA070-00 LATERAL CREEL DEROULE'
 ZA071-00 CENTRAL CREEL DEROULE'
 ZA072-00 SIDE CREEL WITH BOBBIN
 ZA077-00 RIGHT SIDE DEROULÉ' CREEL WITH 14 CONES
 ZA080-00 MIDDLE AND LONG TEMPLES WITH SUPPORTS
 ZA085-00 SHORT TEMPLES WITH SUPPORTS
 ZA090-00 SAFETY BARRIER PHOTOELECTRIC CELLS Valid lots from YA01 to YE02
 ZA090-01 SAFETY BARRIER PHOTOELECTRIC CELLS Valid lots from YE03

A9500	120717043.1 A - SPARE PARTS INDEX	14/06/2017
-------	--------------------------------------	------------

- ZA092-00 SAFETY MONORAY PHOTOELECTRIC CELLS
- ZA095-00 ELTEX PHOTOELECTRIC CELLS FOR FULL-WIDTH REED
- ZA095-01 ELTEX PHOTOELECTRIC CELLS FOR FULL-WIDTH REED
- ZA098-00 THREAD GUIDE Valid lots from YA01 to YC12
- ZA098-01 THREAD GUIDE Valid lots from YD01
- ZA105-00 ADDITIONAL SUPPORTS AND SIDE MEMBERS CONNECTIONS
- ZA110-00 FRONT AND BACK BOARD
- ZA115-00 FRONT AND BACK BOARD TO THE LEFT Ø800
- ZA120-00 FRONT AND BACK BOARD TO THE RIGHT Ø800

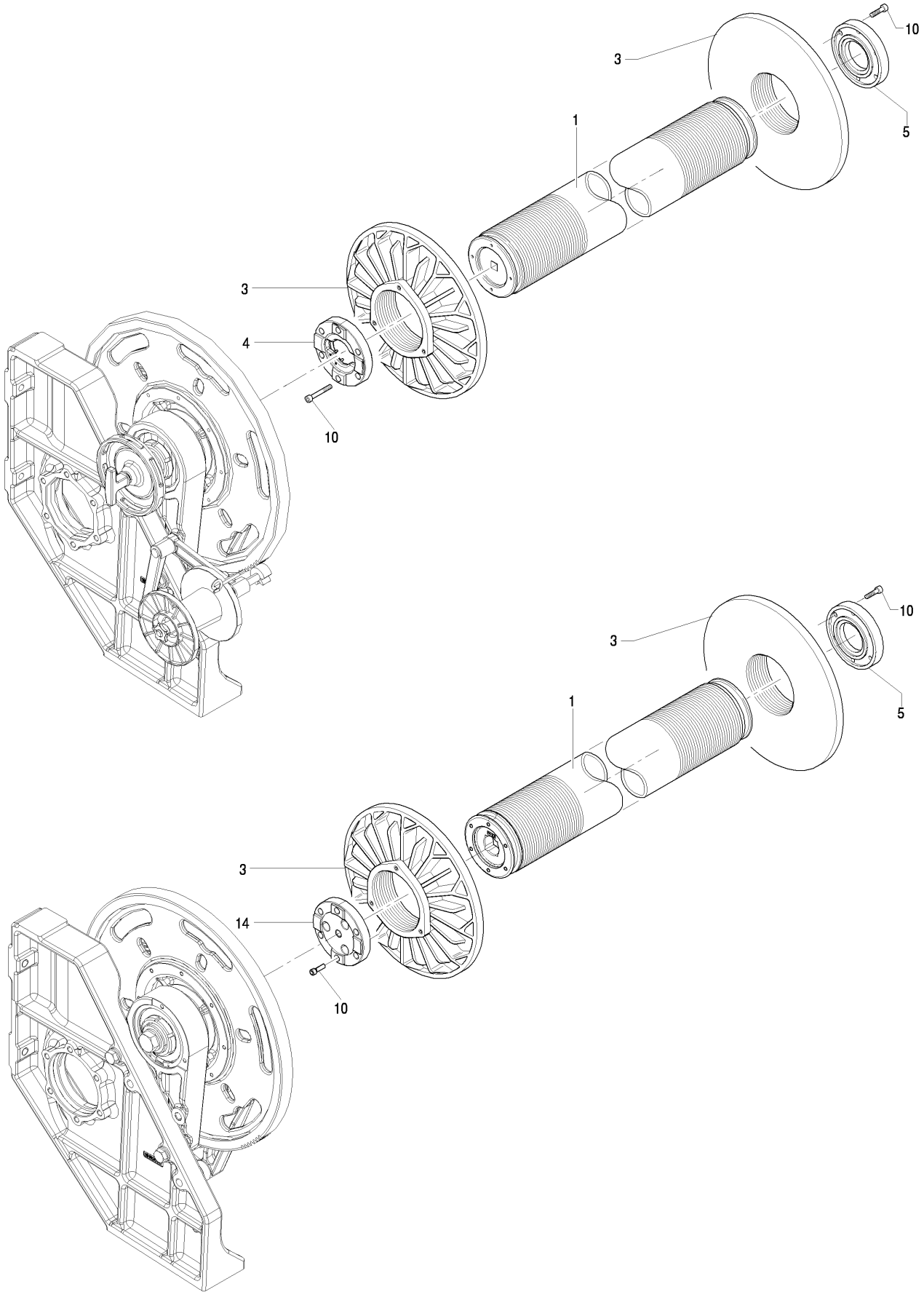
A9500	SUPPORT FOR SIMPLE BEAM TBM Ø800 - A9500e	AA007-00
	Valid lots from to	27/07/2015



A9500	SUPPORT FOR SIMPLE BEAM TBM Ø800 - A9500e	AA007-00
	Valid lots from to	27/07/2015

Pos.	Code	Widths	Remarks	Lots
1	110007000			
2	0127002		rond.spec.d=17x38x4 ferro zincata	
3	0375036		anello interno jr17x20x16,5	
4	131120166			
5	131120186			
6	VS10344		spina cilin.tem.din.6325 16 m6 x 40	
7	131120153			
8	0124001		rond.piana d=10,5 uni6592 zincata	
9	VM11045		molla tazza din.2093 23x12,2x 1,25-262.600.068	
10	131120095			
11	110024056			
12	110024063			
13	0144002		molla a tazza 20x10,2x1,1 din2093	
14	131120157			
15	VV1851A		vite tbei m6x16-8.8 iso7380 zincata	
16	VM11016		molla tazza din.2093 12,5x 6,2x 0,5	
17	131120161			
18	110309100			
19	131120160			
20	131120156			
21	VJ13487		ingrassatore ama tipo 270n 1/8	
22	131120158			
23	0025013		vite tcei m12x50-12.9 iso4762 brunita	
24	110013035			
25	0123001		rond.piana d=8,4 uni6592 zincata	
26	131120164			
27	131120185			
28	110103010			
29	131120162			
30	110007024			

A9500	ISO-DIN PBC-SBM SINGLE BEAMS (WITH FLANGES CLASS Q2)	AA010-00
	Valid lots from to	29/10/2015



A9500	ISO-DIN PBC-SBM SINGLE BEAMS (WITH FLANGES CLASS Q2)			AA010-00
	Valid lots from to			29/10/2015

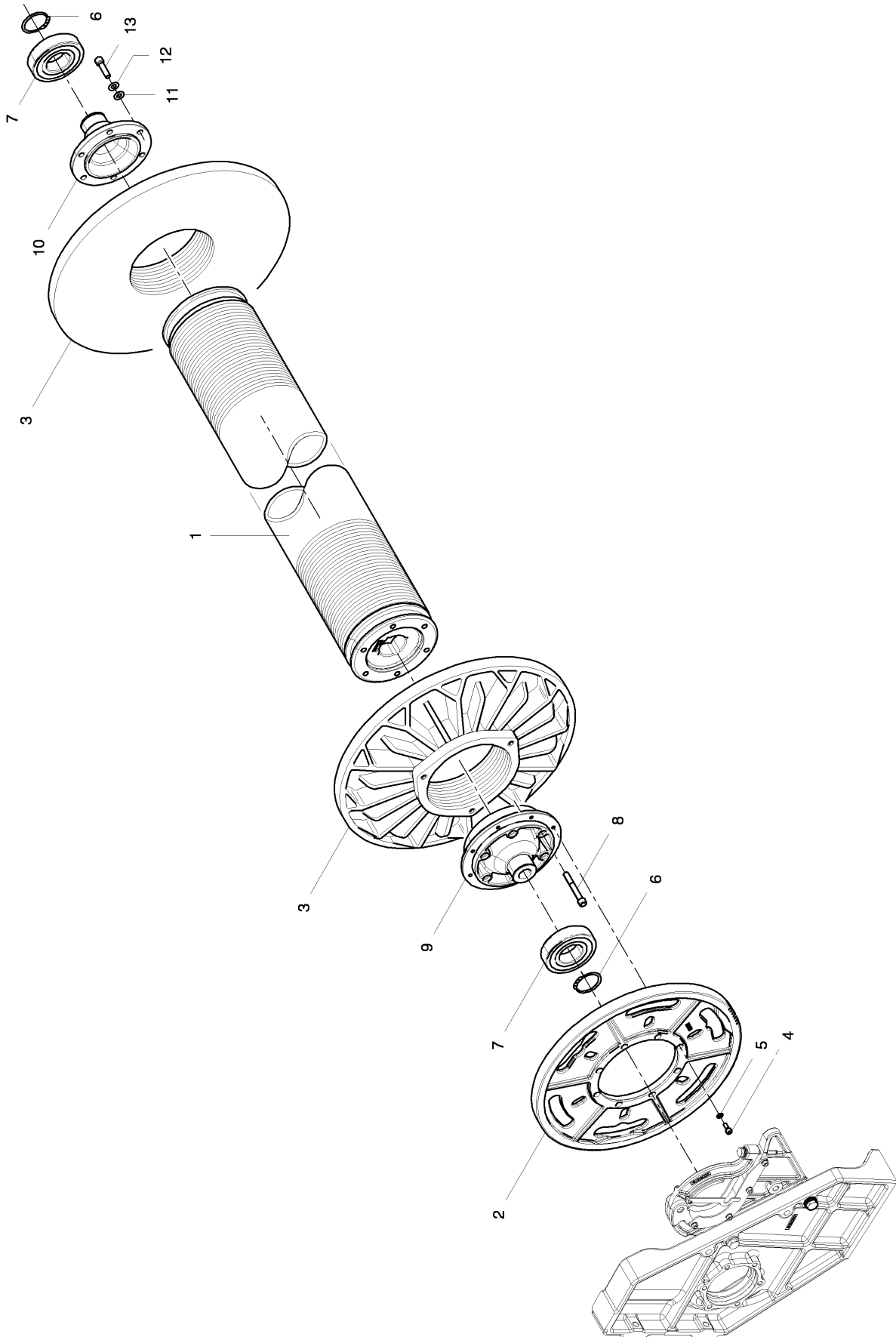
Pos.	Code	Widths	Remarks	Lots
1	BSD128A	1900	Valid particulars for looms with beam flange $\leq \varnothing 1000$. * Shim 6 mm. * With slots	
1	LASD08A	1900	Valid particulars for looms with beam flange $\leq \varnothing 1000$. * Shim 6 mm. * Without slots	
1	BSD10BA	1900	Valid particulars for looms with beam flange $\varnothing 1100$. * Shim 8 mm. * With slots	
1	BSD0001	1900	Valid particulars for looms with beam flange $\varnothing 1100$. * Shim 8 mm. * Without slots	
1	BSD129A	2100	Valid particulars for looms with beam flange $\leq \varnothing 1000$. * Shim 6 mm. * With slots	
1	LASD09A	2100	Valid particulars for looms with beam flange $\leq \varnothing 1000$. * Shim 6 mm. * Without slots	
1	BSD10CA	2100	Valid particulars for looms with beam flange $\varnothing 1100$. * Shim 8 mm. * With slots	
1	BSD0002	2100	Valid particulars for looms with beam flange $\varnothing 1100$. * Shim 8 mm. * Without slots	
1	BSD126A	2200	Valid particulars for looms with beam flange $\leq \varnothing 1000$. * Shim 6 mm. * With slots	
1	LASD0AA	2200	Valid particulars for looms with beam flange $\leq \varnothing 1000$. * Shim 6 mm. * Without slots	
1	BSD10DA	2200	Valid particulars for looms with beam flange $\varnothing 1100$. * Shim 8 mm. * With slots	
1	BSD0003	2200	Valid particulars for looms with beam flange $\varnothing 1100$. * Shim 8 mm. * Without slots	
1	BSD127A	2300	Valid particulars for looms with beam flange $\leq \varnothing 1000$. * Shim 6 mm. * With slots	
1	LASD0BA	2300	Valid particulars for looms with beam flange $\leq \varnothing 1000$. * Shim 6 mm. * Without slots	
1	BSD10EA	2300	Valid particulars for looms with beam flange $\varnothing 1100$. * Shim 8 mm. * With slots	
1	BSD0004	2300	Valid particulars for looms with beam flange $\varnothing 1100$. * Shim 8 mm. * Without slots	
1	BSD175A	2600	Valid particulars for looms with beam flange $\leq \varnothing 1000$. * Shim 6 mm. * With slots	
1	LASD0CA	2600	Valid particulars for looms with beam flange $\leq \varnothing 1000$. * Shim 6 mm. * Without slots	
1	BSD10FA	2600	Valid particulars for looms with beam flange $\varnothing 1100$. * Shim 8 mm. * With slots	
1	BSD0005	2600	Valid particulars for looms with beam flange $\varnothing 1100$. * Shim 8 mm. * Without slots	
1	BSD176A	2800	Valid particulars for looms with beam flange $\leq \varnothing 1000$. * Shim 6 mm. * With slots	
1	LASD0DA	2800	Valid particulars for looms with beam flange $\leq \varnothing 1000$. * Shim 6 mm. * Without slots	
1	BSD10GA	2800	Valid particulars for looms with beam flange $\varnothing 1100$. * Shim 8 mm. * With slots	
1	BSD0006	2800	Valid particulars for looms with beam flange $\varnothing 1100$. * Shim 8 mm. * Without slots	
1	BSD177A	3000	Valid particulars for looms with beam flange $\leq \varnothing 1000$. * Shim 6 mm. * With slots	
1	LASD0EA	3000	Valid particulars for looms with beam flange $\leq \varnothing 1000$. * Shim 6 mm. * Without slots	
1	BSD10HA	3000	Valid particulars for looms with beam flange $\varnothing 1100$. * Shim 8 mm. * With slots	
1	BSD0007	3000	Valid particulars for looms with beam flange $\varnothing 1100$. * Shim 8 mm. * Without slots	

A9500	ISO-DIN PBC-SBM SINGLE BEAMS (WITH FLANGES CLASS Q2)		AA010-00
	Valid lots from to		29/10/2015

Pos.	Code	Widths	Remarks	Lots
1	BSD178A	3200	Valid particulars for looms with beam flange $\leq \varnothing 1000$. * Shim 6 mm. * With slots	
1	LASD0FA	3200	Valid particulars for looms with beam flange $\leq \varnothing 1000$. * Shim 6 mm. * Without slots	
1	BSD10JA	3200	Valid particulars for looms with beam flange $\varnothing 1100$. * Shim 8 mm. * With slots	
1	BSD0008	3200	Valid particulars for looms with beam flange $\varnothing 1100$. * Shim 8 mm. * Without slots	
1	BSD179A	3400	Valid particulars for looms with beam flange $\leq \varnothing 1000$. * Shim 6 mm. * With slots	
1	LASD0GA	3400	Valid particulars for looms with beam flange $\leq \varnothing 1000$. * Shim 6 mm. * Without slots	
1	BSD10KA	3400	Valid particulars for looms with beam flange $\varnothing 1100$. * Shim 8 mm. * With slots	
1	BSD0009	3400	Valid particulars for looms with beam flange $\varnothing 1100$. * Shim 8 mm. * Without slots	
1	BSD180A	3600	Valid particulars for looms with beam flange $\leq \varnothing 1000$. * Shim 6 mm. * With slots	
1	LASD0HA	3600	Valid particulars for looms with beam flange $\leq \varnothing 1000$. * Shim 6 mm. * Without slots	
1	BSD10LA	3600	Valid particulars for looms with beam flange $\varnothing 1100$. * Shim 8 mm. * With slots	
1	BSD0010	3600	Valid particulars for looms with beam flange $\varnothing 1100$. * Shim 8 mm. * Without slots	
3	C9F2680		Flange $\varnothing 1000$	
3	C9F2676		Flange $\varnothing = 800$	
3	0583180		flangia d=1100 q2 x subbio d=219 rigam.2000102 * Flange $\varnothing = 1100$	
4	QALL013		PBC version	
5	2552022			
10	0025032		vite tcei m12x40-12.9 iso4762 brunita	
14	QELL002		SBM version	

A9500		
-------	--	--

A9500	ISO-DIN STANDARD SINGLE BEAMS (WITH FLANGES CLASS Q2)	AA011-00
	Valid lots from to	29/10/2015



A9500	ISO-DIN STANDARD SINGLE BEAMS (WITH FLANGES CLASS Q2)		AA011-00
	Valid lots from to		29/10/2015

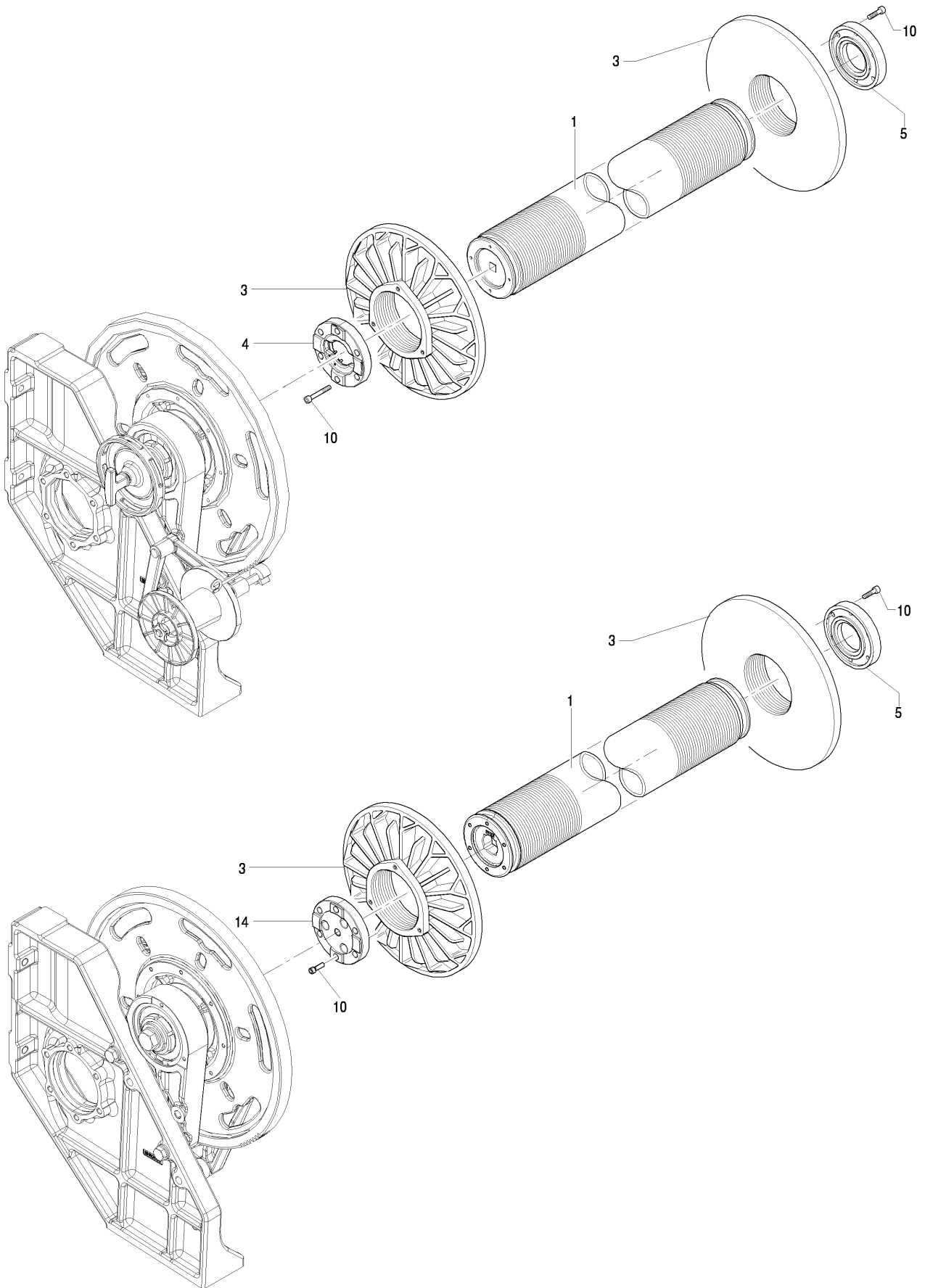
Pos.	Code	Widths	Remarks	Lots
1	BSD128A	1900	Valid particulars for looms with beam flange $\leq \varnothing 1000$. * Shim 6 mm. * With slots	
1	LASD08A	1900	Valid particulars for looms with beam flange $\leq \varnothing 1000$. * Shim 6 mm. * Without slots	
1	BSD10BA	1900	Valid particulars for looms with beam flange $\varnothing 1100$. * Shim 8 mm. * With slots	
1	BSD0001	1900	Valid particulars for looms with beam flange $\varnothing 1100$. * Shim 8 mm. * Without slots	
1	BSD129A	2100	Valid particulars for looms with beam flange $\leq \varnothing 1000$. * Shim 6 mm. * With slots	
1	LASD09A	2100	Valid particulars for looms with beam flange $\leq \varnothing 1000$. * Shim 6 mm. * Without slots	
1	BSD10CA	2100	Valid particulars for looms with beam flange $\varnothing 1100$. * Shim 8 mm. * With slots	
1	BSD0002	2100	Valid particulars for looms with beam flange $\varnothing 1100$. * Shim 8 mm. * Without slots	
1	BSD126A	2200	Valid particulars for looms with beam flange $\leq \varnothing 1000$. * Shim 6 mm. * With slots	
1	LASD0AA	2200	Valid particulars for looms with beam flange $\leq \varnothing 1000$. * Shim 6 mm. * Without slots	
1	BSD10DA	2200	Valid particulars for looms with beam flange $\varnothing 1100$. * Shim 8 mm. * With slots	
1	BSD0003	2200	Valid particulars for looms with beam flange $\varnothing 1100$. * Shim 8 mm. * Without slots	
1	BSD127A	2300	Valid particulars for looms with beam flange $\leq \varnothing 1000$. * Shim 6 mm. * With slots	
1	LASD0BA	2300	Valid particulars for looms with beam flange $\leq \varnothing 1000$. * Shim 6 mm. * Without slots	
1	BSD10EA	2300	Valid particulars for looms with beam flange $\varnothing 1100$. * Shim 8 mm. * With slots	
1	BSD0004	2300	Valid particulars for looms with beam flange $\varnothing 1100$. * Shim 8 mm. * Without slots	
1	BSD175A	2600	Valid particulars for looms with beam flange $\leq \varnothing 1000$. * Shim 6 mm. * With slots	
1	LASD0CA	2600	Valid particulars for looms with beam flange $\leq \varnothing 1000$. * Shim 6 mm. * Without slots	
1	BSD10FA	2600	Valid particulars for looms with beam flange $\varnothing 1100$. * Shim 8 mm. * With slots	
1	BSD0005	2600	Valid particulars for looms with beam flange $\varnothing 1100$. * Shim 8 mm. * Without slots	
1	BSD176A	2800	Valid particulars for looms with beam flange $\leq \varnothing 1000$. * Shim 6 mm. * With slots	
1	LASD0DA	2800	Valid particulars for looms with beam flange $\leq \varnothing 1000$. * Shim 6 mm. * Without slots	
1	BSD10GA	2800	Valid particulars for looms with beam flange $\varnothing 1100$. * Shim 8 mm. * With slots	
1	BSD0006	2800	Valid particulars for looms with beam flange $\varnothing 1100$. * Shim 8 mm. * Without slots	
1	BSD177A	3000	Valid particulars for looms with beam flange $\leq \varnothing 1000$. * Shim 6 mm. * With slots	
1	LASD0EA	3000	Valid particulars for looms with beam flange $\leq \varnothing 1000$. * Shim 6 mm. * Without slots	
1	BSD10HA	3000	Valid particulars for looms with beam flange $\varnothing 1100$. * Shim 8 mm. * With slots	
1	BSD0007	3000	Valid particulars for looms with beam flange $\varnothing 1100$. * Shim 8 mm. * Without slots	

A9500	ISO-DIN STANDARD SINGLE BEAMS (WITH FLANGES CLASS Q2)	AA011-00
	Valid lots from to	29/10/2015

Pos.	Code	Widths	Remarks	Lots
1	BSD178A	3200	Valid particulars for looms with beam flange $\leq \varnothing 1000$. * Shim 6 mm. * With slots	
1	LASD0FA	3200	Valid particulars for looms with beam flange $\leq \varnothing 1000$. * Shim 6 mm. * Without slots	
1	BSD10JA	3200	Valid particulars for looms with beam flange $\varnothing 1100$. * Shim 8 mm. * With slots	
1	BSD0008	3200	Valid particulars for looms with beam flange $\varnothing 1100$. * Shim 8 mm. * Without slots	
1	BSD179A	3400	Valid particulars for looms with beam flange $\leq \varnothing 1000$. * Shim 6 mm. * With slots	
1	LASD0GA	3400	Valid particulars for looms with beam flange $\leq \varnothing 1000$. * Shim 6 mm. * Without slots	
1	BSD10KA	3400	Valid particulars for looms with beam flange $\varnothing 1100$. * Shim 8 mm. * With slots	
1	BSD0009	3400	Valid particulars for looms with beam flange $\varnothing 1100$. * Shim 8 mm. * Without slots	
1	BSD180A	3600	Valid particulars for looms with beam flange $\leq \varnothing 1000$. * Shim 6 mm. * With slots	
1	LASD0HA	3600	Valid particulars for looms with beam flange $\leq \varnothing 1000$. * Shim 6 mm. * Without slots	
1	BSD10LA	3600	Valid particulars for looms with beam flange $\varnothing 1100$. * Shim 8 mm. * With slots	
1	BSD0010	3600	Valid particulars for looms with beam flange $\varnothing 1100$. * Shim 8 mm. * Without slots	
2	131120105			
3	C9F2680		Flange $\varnothing 1000$	
3	C9F2676		Flange $\varnothing = 800$	
3	0583180		flangia d=1100 q2 x subbio d=219 rigam.2000102 * Flange $\varnothing = 1100$	
4	0023057		vite tcei m8x20-12.9 iso4762 brunita	
5	VM11022		molla a tazza din.2093 15x8.2x0.7	
6	0189002		anello elastico per alberi d=60 din471	
7	0309017		cusc.rad.rig.sfe.6312 2rs 60x130x31	
8	110025066			
9	131120050			
10	131120051			
11	0125001		rond.piana d=13 uni6592 zincata	
12	VM11046		molla tazza din.2093 25x12,2x 0,9	
13	110025059			

A9500		
-------	--	--

A9500	ISO-DIN PBC-SBM SINGLE BEAMS (WITH FLANGES CLASS Q3)	AA012-00
	Valid lots from to	29/10/2015



A9500	ISO-DIN PBC-SBM SINGLE BEAMS (WITH FLANGES CLASS Q3)		AA012-00
	Valid lots from to		29/10/2015

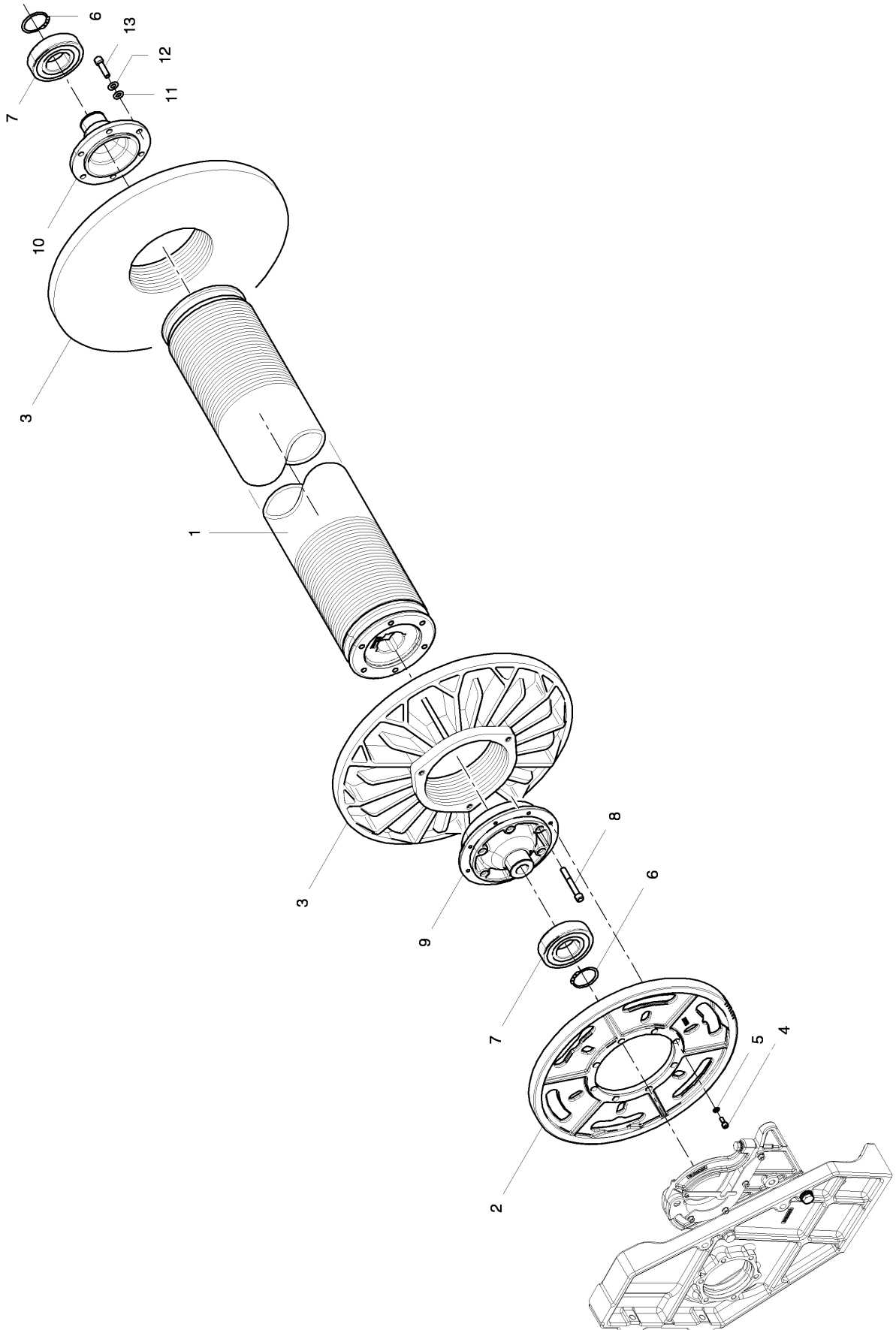
Pos.	Code	Widths	Remarks	Lots
1	BSD10BA	1900	Valid particulars for looms with beam flange $\leq \varnothing 1000$. * Shim 8 mm. * With slots	
1	BSD0001	1900	Valid particulars for looms with beam flange $\leq \varnothing 1000$. * Shim 8 mm. * Without slots	
1	BSD11BA	1900	Valid particulars for looms with beam flange $\varnothing 1100$. * Shim 10 mm. * With slots	
1	BSD12BA	1900	Valid particulars for looms with beam flange $\varnothing 1100$. * Shim 10 mm. * Without slots	
1	BSD10CA	2100	Valid particulars for looms with beam flange $\leq \varnothing 1000$. * Shim 8 mm. * With slots	
1	BSD0002	2100	Valid particulars for looms with beam flange $\leq \varnothing 1000$. * Shim 8 mm. * Without slots	
1	BSD11CA	2100	Valid particulars for looms with beam flange $\varnothing 1100$. * Shim 10 mm. * With slots	
1	BSD12CA	2100	Valid particulars for looms with beam flange $\varnothing 1100$. * Shim 10 mm. * Without slots	
1	BSD10DA	2200	Valid particulars for looms with beam flange $\leq \varnothing 1000$. * Shim 8 mm. * With slots	
1	BSD0003	2200	Valid particulars for looms with beam flange $\leq \varnothing 1000$. * Shim 8 mm. * Without slots	
1	BSD11DA	2200	Valid particulars for looms with beam flange $\varnothing 1100$. * Shim 10 mm. * With slots	
1	BSD12DA	2200	Valid particulars for looms with beam flange $\varnothing 1100$. * Shim 10 mm. * Without slots	
1	BSD10EA	2300	Valid particulars for looms with beam flange $\leq \varnothing 1000$. * Shim 8 mm. * With slots	
1	BSD0004	2300	Valid particulars for looms with beam flange $\leq \varnothing 1000$. * Shim 8 mm. * Without slots	
1	BSD11EA	2300	Valid particulars for looms with beam flange $\varnothing 1100$. * Shim 10 mm. * With slots	
1	BSD12EA	2300	Valid particulars for looms with beam flange $\varnothing 1100$. * Shim 10 mm. * Without slots	
1	BSD10FA	2600	Valid particulars for looms with beam flange $\leq \varnothing 1000$. * Shim 8 mm. * With slots	
1	BSD0005	2600	Valid particulars for looms with beam flange $\leq \varnothing 1000$. * Shim 8 mm. * Without slots	
1	BSD11FA	2600	Valid particulars for looms with beam flange $\varnothing 1100$. * Shim 10 mm. * With slots	
1	BSD12FA	2600	Valid particulars for looms with beam flange $\varnothing 1100$. * Shim 10 mm. * Without slots	
1	BSD10GA	2800	Valid particulars for looms with beam flange $\leq \varnothing 1000$. * Shim 8 mm. * With slots	
1	BSD0006	2800	Valid particulars for looms with beam flange $\leq \varnothing 1000$. * Shim 8 mm. * Without slots	
1	BSD11GA	2800	Valid particulars for looms with beam flange $\varnothing 1100$. * Shim 10 mm. * With slots	
1	BSD12GA	2800	Valid particulars for looms with beam flange $\varnothing 1100$. * Shim 10 mm. * Without slots	
1	BSD10HA	3000	Valid particulars for looms with beam flange $\leq \varnothing 1000$. * Shim 8 mm. * With slots	
1	BSD0007	3000	Valid particulars for looms with beam flange $\leq \varnothing 1000$. * Shim 8 mm. * Without slots	
1	QASD0AA	3000	Valid particulars for looms with beam flange $\varnothing 1100$. * Shim 12,5 mm. * With slots	
1	QASD03A	3000	Valid particulars for looms with beam flange $\varnothing 1100$. * Shim 12,5 mm. * Without slots	

A9500	ISO-DIN PBC-SBM SINGLE BEAMS (WITH FLANGES CLASS Q3)		AA012-00
	Valid lots from to		29/10/2015

Pos.	Code	Widths	Remarks	Lots
1	BSD10JA	3200	Valid particulars for looms with beam flange =$\leq \varnothing 1000.$ * Shim 8 mm. * With slots	
1	BSD0008	3200	Valid particulars for looms with beam flange =$\leq \varnothing 1000.$ * Shim 8 mm. * Without slots	
1	QASD0BA	3200	Valid particulars for looms with beam flange $\varnothing 1100.$ * Shim 12,5 mm. * With slots	
1	QASD04A	3200	Valid particulars for looms with beam flange $\varnothing 1100.$ * Shim 12,5 mm. * Without slots	
1	BSD11KA	3400	Valid particulars for looms with beam flange =$\leq \varnothing 1000.$ * Shim 10 mm. * With slots	
1	BSD12KA	3400	Valid particulars for looms with beam flange =$\leq \varnothing 1000.$ * Shim 10 mm. * Without slots	
1	QASD0CA	3400	Valid particulars for looms with beam flange $\varnothing 1100.$ * Shim 12,5 mm. * With slots	
1	QASD05A	3400	Valid particulars for looms with beam flange $\varnothing 1100.$ * Shim 12,5 mm. * Without slots	
1	BSD11LA	3600	Valid particulars for looms with beam flange =$\leq \varnothing 1000.$ * Shim 10 mm. * With slots	
1	BSD12LA	3600	Valid particulars for looms with beam flange =$\leq \varnothing 1000.$ * Shim 10 mm. * Without slots	
1	QASD0DA	3600	Valid particulars for looms with beam flange $\varnothing 1100.$ * Shim 12,5 mm. * With slots	
1	QASD06A	3600	Valid particulars for looms with beam flange $\varnothing 1100.$ * Shim 12,5 mm. * Without slots	
3	0583185		flangia d=1000 q3 x subbio d=219 r&p.2000102 * Flange $\varnothing 1000$	
3	0583196		flangia all.jametti 1100 x d.219 clas.q3 passo 7 * Flange $\varnothing 1100$	
3	0583186		flangia d=800 q3 x subbio d=219 r&p.2000102 * Flange $\varnothing 800$	
4	QALL013		PBC version	
5	2552022			
10	0025032		vite tcei m12x40-12.9 iso4762 brunita	
14	QELL002		SBM version	

A9500		
-------	--	--

A9500	ISO-DIN STANDARD SINGLE BEAMS (WITH FLANGES CLASS Q3)	AA013-00
	Valid lots from to	29/10/2015



A9500	ISO-DIN STANDARD SINGLE BEAMS (WITH FLANGES CLASS Q3)		AA013-00
	Valid lots from to		29/10/2015

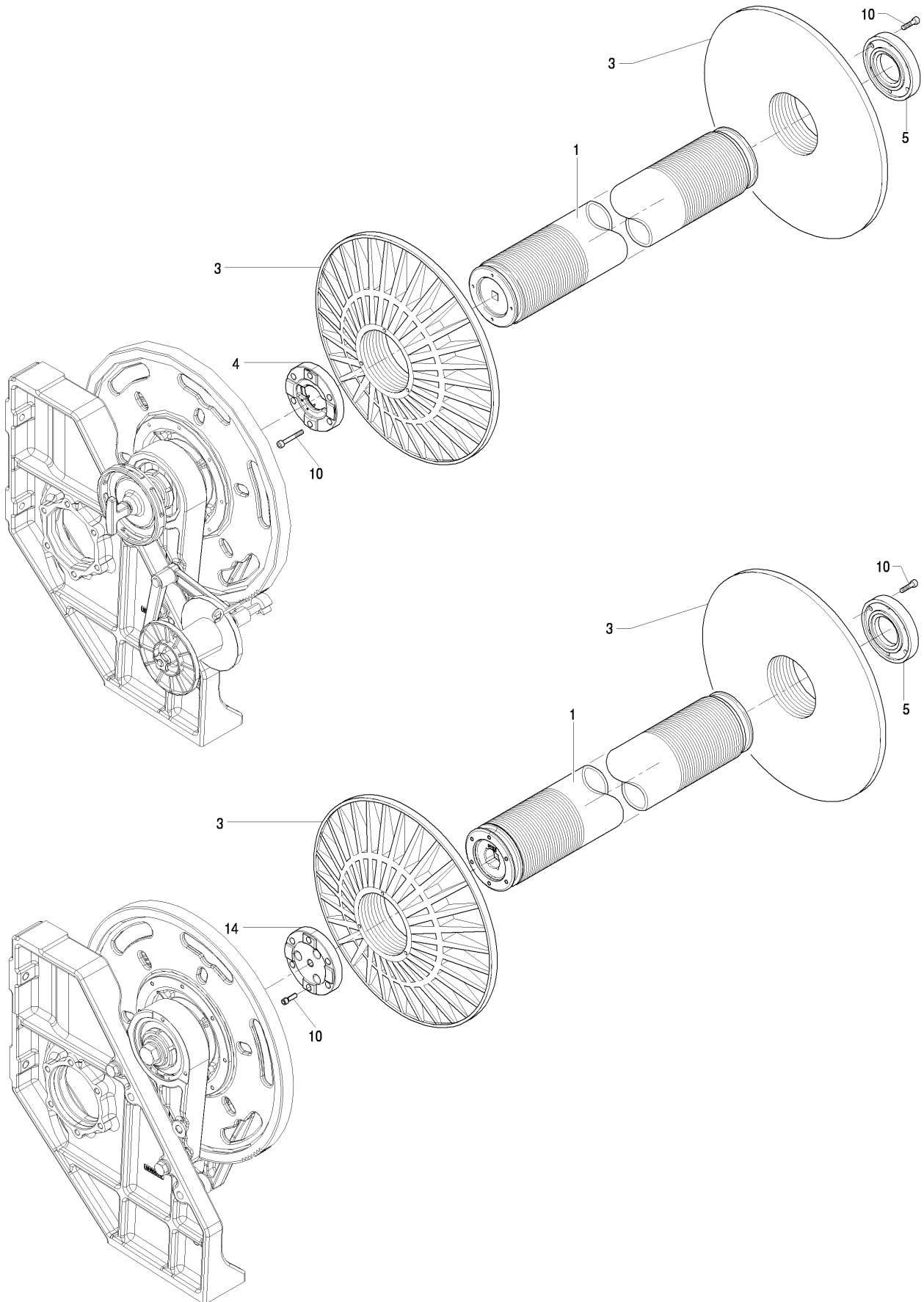
Pos.	Code	Widths	Remarks	Lots
1	BSD10BA	1900	Valid particulars for looms with beam flange $\leq \varnothing 1000$. * Shim 8 mm. * With slots	
1	BSD0001	1900	Valid particulars for looms with beam flange $\leq \varnothing 1000$. * Shim 8 mm. * Without slots	
1	BSD11BA	1900	Valid particulars for looms with beam flange $\varnothing 1100$. * Shim 10 mm. * With slots	
1	BSD12BA	1900	Valid particulars for looms with beam flange $\varnothing 1100$. * Shim 10 mm. * Without slots	
1	BSD10CA	2100	Valid particulars for looms with beam flange $\leq \varnothing 1000$. * Shim 8 mm. * With slots	
1	BSD0002	2100	Valid particulars for looms with beam flange $\leq \varnothing 1000$. * Shim 8 mm. * Without slots	
1	BSD11CA	2100	Valid particulars for looms with beam flange $\varnothing 1100$. * Shim 10 mm. * With slots	
1	BSD12CA	2100	Valid particulars for looms with beam flange $\varnothing 1100$. * Shim 10 mm. * Without slots	
1	BSD10DA	2200	Valid particulars for looms with beam flange $\leq \varnothing 1000$. * Shim 8 mm. * With slots	
1	BSD0003	2200	Valid particulars for looms with beam flange $\leq \varnothing 1000$. * Shim 8 mm. * Without slots	
1	BSD11DA	2200	Valid particulars for looms with beam flange $\varnothing 1100$. * Shim 10 mm. * With slots	
1	BSD12DA	2200	Valid particulars for looms with beam flange $\varnothing 1100$. * Shim 10 mm. * Without slots	
1	BSD10EA	2300	Valid particulars for looms with beam flange $\leq \varnothing 1000$. * Shim 8 mm. * With slots	
1	BSD0004	2300	Valid particulars for looms with beam flange $\leq \varnothing 1000$. * Shim 8 mm. * Without slots	
1	BSD11EA	2300	Valid particulars for looms with beam flange $\varnothing 1100$. * Shim 10 mm. * With slots	
1	BSD12EA	2300	Valid particulars for looms with beam flange $\varnothing 1100$. * Shim 10 mm. * Without slots	
1	BSD10FA	2600	Valid particulars for looms with beam flange $\leq \varnothing 1000$. * Shim 8 mm. * With slots	
1	BSD0005	2600	Valid particulars for looms with beam flange $\leq \varnothing 1000$. * Shim 8 mm. * Without slots	
1	BSD11FA	2600	Valid particulars for looms with beam flange $\varnothing 1100$. * Shim 10 mm. * With slots	
1	BSD12FA	2600	Valid particulars for looms with beam flange $\varnothing 1100$. * Shim 10 mm. * Without slots	
1	BSD10GA	2800	Valid particulars for looms with beam flange $\leq \varnothing 1000$. * Shim 8 mm. * With slots	
1	BSD0006	2800	Valid particulars for looms with beam flange $\leq \varnothing 1000$. * Shim 8 mm. * Without slots	
1	BSD11GA	2800	Valid particulars for looms with beam flange $\varnothing 1100$. * Shim 10 mm. * With slots	
1	BSD12GA	2800	Valid particulars for looms with beam flange $\varnothing 1100$. * Shim 10 mm. * Without slots	
1	BSD10HA	3000	Valid particulars for looms with beam flange $\leq \varnothing 1000$. * Shim 8 mm. * With slots	
1	BSD0007	3000	Valid particulars for looms with beam flange $\leq \varnothing 1000$. * Shim 8 mm. * Without slots	
1	QASD0AA	3000	Valid particulars for looms with beam flange $\varnothing 1100$. * Shim 12,5 mm. * With slots	
1	QASD03A	3000	Valid particulars for looms with beam flange $\varnothing 1100$. * Shim 12,5 mm. * Without slots	

A9500	ISO-DIN STANDARD SINGLE BEAMS (WITH FLANGES CLASS Q3)		AA013-00
	Valid lots from to		29/10/2015

Pos.	Code	Widths	Remarks	Lots
1	BSD10JA	3200	Valid particulars for looms with beam flange =$\leq \varnothing 1000.$ * Shim 8 mm. * With slots	
1	BSD0008	3200	Valid particulars for looms with beam flange =$\leq \varnothing 1000.$ * Shim 8 mm. * Without slots	
1	QASD0BA	3200	Valid particulars for looms with beam flange $\varnothing 1100.$ * Shim 12,5 mm. * With slots	
1	QASD04A	3200	Valid particulars for looms with beam flange $\varnothing 1100.$ * Shim 12,5 mm. * Without slots	
1	BSD11KA	3400	Valid particulars for looms with beam flange =$\leq \varnothing 1000.$ * Shim 10 mm. * With slots	
1	BSD12KA	3400	Valid particulars for looms with beam flange =$\leq \varnothing 1000.$ * Shim 10 mm. * Without slots	
1	QASD0CA	3400	Valid particulars for looms with beam flange $\varnothing 1100.$ * Shim 12,5 mm. * With slots	
1	QASD05A	3400	Valid particulars for looms with beam flange $\varnothing 1100.$ * Shim 12,5 mm. * Without slots	
1	BSD11LA	3600	Valid particulars for looms with beam flange =$\leq \varnothing 1000.$ * Shim 10 mm. * With slots	
1	BSD12LA	3600	Valid particulars for looms with beam flange =$\leq \varnothing 1000.$ * Shim 10 mm. * Without slots	
1	QASD0DA	3600	Valid particulars for looms with beam flange $\varnothing 1100.$ * Shim 12,5 mm. * With slots	
1	QASD06A	3600	Valid particulars for looms with beam flange $\varnothing 1100.$ * Shim 12,5 mm. * Without slots	
2	131120105			
3	0583185		flangia d=1000 q3 x subbio d=219 r&p.2000102 * Flange $\varnothing 1000$	
3	0583196		flangia all.jametti 1100 x d.219 clas.q3 passo 7 * Flange $\varnothing 1100$	
3	0583186		flangia d=800 q3 x subbio d=219 r&p.2000102 * Flange $\varnothing 800$	
4	0023057		vite tcei m8x20-12.9 iso4762 brunita	
5	VM11022		molla a tazza din.2093 15x8.2x0.7	
6	0189002		anello elastico per alberi d=60 din471	
7	0309017		cusc.rad.rig.sfe.6312 2rs 60x130x31	
8	110025066			
9	131120050			
10	131120051			
11	0125001		rond.piana d=13 uni6592 zincata	
12	VM11046		molla tazza din.2093 25x12,2x 0,9	
13	110025059			

A9500		
-------	--	--

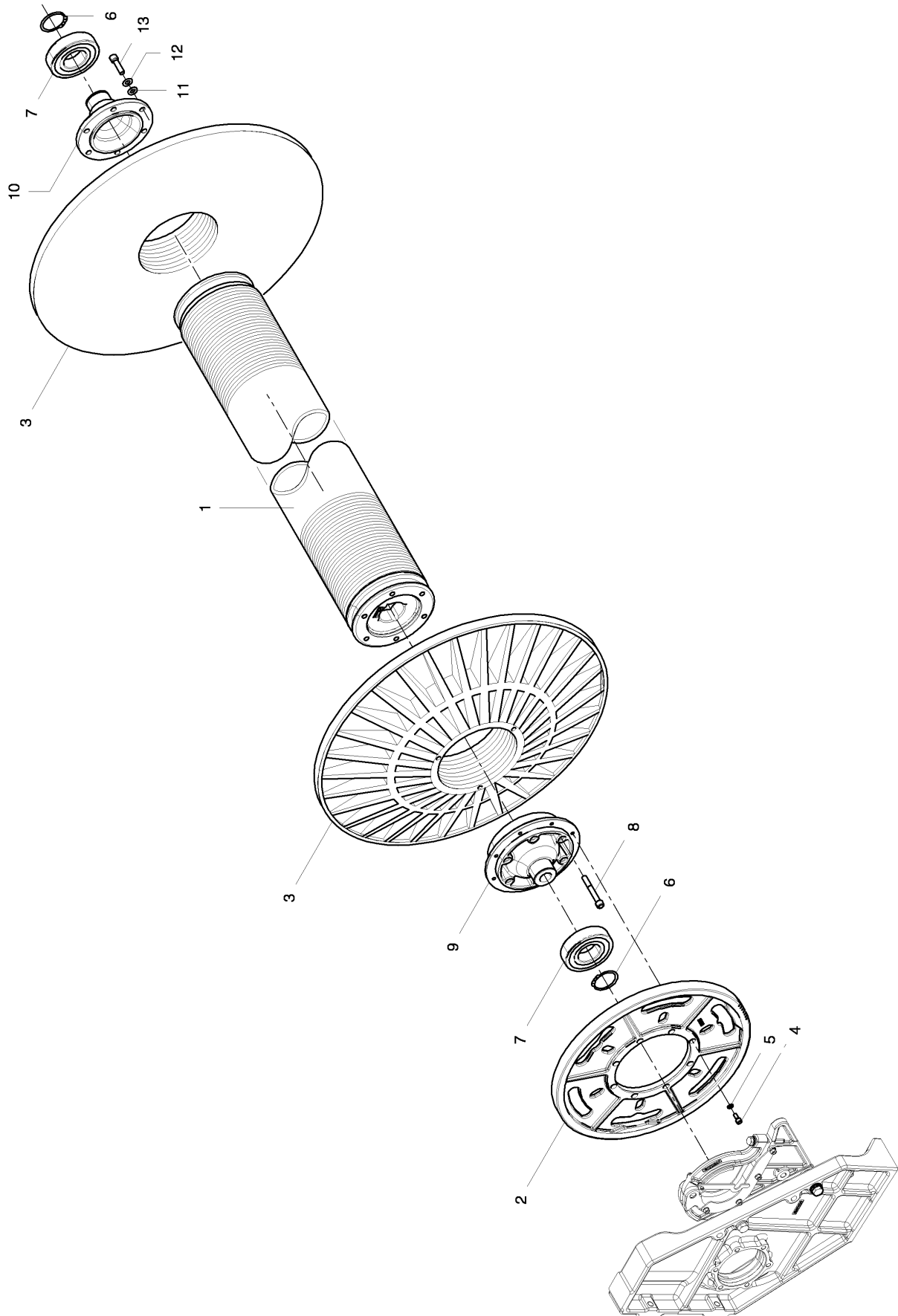
A9500	ISO-DIN PBC-SBM SINGLE BEAMS (WITH FLANGES CLASS Q4)	AA015-00
	Valid lots from to	29/10/2015



A9500	ISO-DIN PBC-SBM SINGLE BEAMS (WITH FLANGES CLASS Q4)		AA015-00
	Valid lots from to		29/10/2015

Pos.	Code	Widths	Remarks	Lots
1	BSD11BA	1900	Valid particulars for looms with beam flange =$\leq \varnothing 1000.$ * Shim 10 mm. * With slots	
1	BSD12BA	1900	Valid particulars for looms with beam flange =$\leq \varnothing 1000.$ * Shim 10 mm. * Without slots	
1	BSD11CA	2100	Valid particulars for looms with beam flange =$\leq \varnothing 1000.$ * Shim 10 mm. * With slots	
1	BSD12CA	2100	Valid particulars for looms with beam flange =$\leq \varnothing 1000.$ * Shim 10 mm. * Without slots	
1	BSD11DA	2200	Valid particulars for looms with beam flange =$\leq \varnothing 1000.$ * Shim 10 mm. * With slots	
1	BSD12DA	2200	Valid particulars for looms with beam flange =$\leq \varnothing 1000.$ * Shim 10 mm. * Without slots	
1	BSD11EA	2300	Valid particulars for looms with beam flange =$\leq \varnothing 1000.$ * Shim 10 mm. * With slots	
1	BSD12EA	2300	Valid particulars for looms with beam flange =$\leq \varnothing 1000.$ * Shim 10 mm. * Without slots	
1	QASD08A	2600	Valid particulars for looms with beam flange =$\leq \varnothing 1000.$ * Shim 12,5 mm. * With slots	
1	QASD01A	2600	Valid particulars for looms with beam flange =$\leq \varnothing 1000.$ * Shim 12,5 mm. * Without slots	
1	QASD09A	2800	Valid particulars for looms with beam flange =$\leq \varnothing 1000.$ * Shim 12,5 mm. * With slots	
1	QASD02A	2800	Valid particulars for looms with beam flange =$\leq \varnothing 1000.$ * Shim 12,5 mm. * Without slots	
1	QASD0AA	3000	Valid particulars for looms with beam flange =$\leq \varnothing 1000.$ * Shim 12,5 mm. * With slots	
1	QASD03A	3000	Valid particulars for looms with beam flange =$\leq \varnothing 1000.$ * Shim 12,5 mm. * Without slots	
1	QASD0BA	3200	Valid particulars for looms with beam flange =$\leq \varnothing 1000.$ * Shim 12,5 mm. * With slots	
1	QASD04A	3200	Valid particulars for looms with beam flange =$\leq \varnothing 1000.$ * Shim 12,5 mm. * Without slots	
1	QASD0CA	3400	Valid particulars for looms with beam flange =$\leq \varnothing 1000.$ * Shim 12,5 mm. * With slots	
1	QASD05A	3400	Valid particulars for looms with beam flange =$\leq \varnothing 1000.$ * Shim 12,5 mm. * Without slots	
1	QASD0DA	3600	Valid particulars for looms with beam flange =$\leq \varnothing 1000.$ * Shim 12,5 mm. * With slots	
1	QASD06A	3600	Valid particulars for looms with beam flange =$\leq \varnothing 1000.$ * Shim 12,5 mm. * Without slots	
3	C9JF108		Flange \varnothing 1000	
3	C9JF107		Flange \varnothing 800	
4	QALL013		PBC version	
5	2552022			
10	0025032		vite tcei m12x40-12.9 iso4762 brunita	
14	QELL002		SBM version	

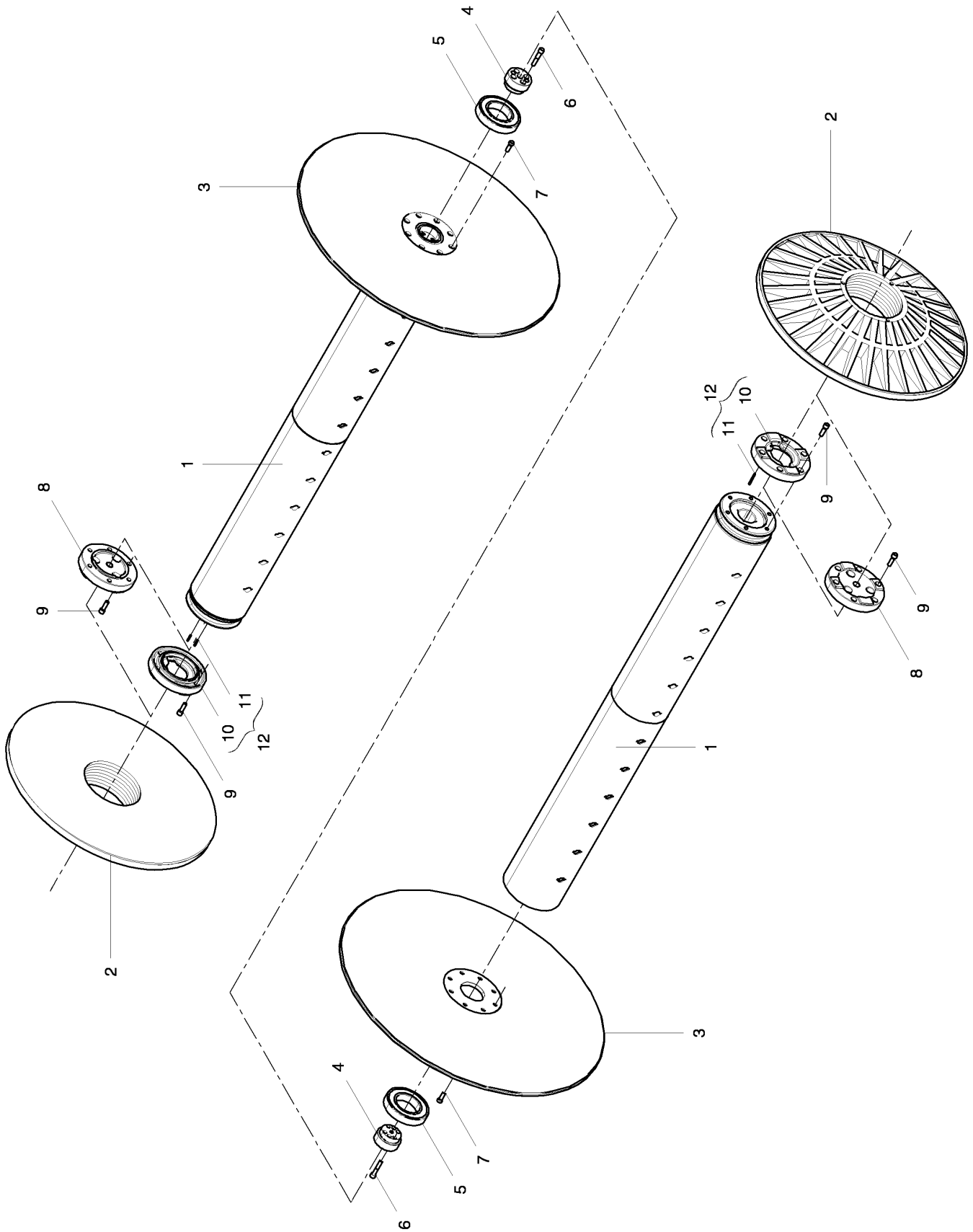
A9500	ISO-DIN STANDARD SINGLE BEAMS (WITH FLANGES CLASS Q4)	AA018-00
	Valid lots from to	29/10/2015



A9500	ISO-DIN STANDARD SINGLE BEAMS (WITH FLANGES CLASS Q4)		AA018-00
	Valid lots from to		29/10/2015

Pos.	Code	Widths	Remarks	Lots
1	BSD11BA	1900	Valid particulars for looms with beam flange =$\leq \varnothing 1000.$ * Shim 10 mm. * With slots	
1	BSD12BA	1900	Valid particulars for looms with beam flange =$\leq \varnothing 1000.$ * Shim 10 mm. * Without slots	
1	BSD11CA	2100	Valid particulars for looms with beam flange =$\leq \varnothing 1000.$ * Shim 10 mm. * With slots	
1	BSD12CA	2100	Valid particulars for looms with beam flange =$\leq \varnothing 1000.$ * Shim 10 mm. * Without slots	
1	BSD11DA	2200	Valid particulars for looms with beam flange =$\leq \varnothing 1000.$ * Shim 10 mm. * With slots	
1	BSD12DA	2200	Valid particulars for looms with beam flange =$\leq \varnothing 1000.$ * Shim 10 mm. * Without slots	
1	BSD11EA	2300	Valid particulars for looms with beam flange =$\leq \varnothing 1000.$ * Shim 10 mm. * With slots	
1	BSD12EA	2300	Valid particulars for looms with beam flange =$\leq \varnothing 1000.$ * Shim 10 mm. * Without slots	
1	QASD08A	2600	Valid particulars for looms with beam flange =$\leq \varnothing 1000.$ * Shim 12,5 mm. * With slots	
1	QASD01A	2600	Valid particulars for looms with beam flange =$\leq \varnothing 1000.$ * Shim 12,5 mm. * Without slots	
1	QASD09A	2800	Valid particulars for looms with beam flange =$\leq \varnothing 1000.$ * Shim 12,5 mm. * With slots	
1	QASD02A	2800	Valid particulars for looms with beam flange =$\leq \varnothing 1000.$ * Shim 12,5 mm. * Without slots	
1	QASD0AA	3000	Valid particulars for looms with beam flange =$\leq \varnothing 1000.$ * Shim 12,5 mm. * With slots	
1	QASD03A	3000	Valid particulars for looms with beam flange =$\leq \varnothing 1000.$ * Shim 12,5 mm. * Without slots	
1	QASD0BA	3200	Valid particulars for looms with beam flange =$\leq \varnothing 1000.$ * Shim 12,5 mm. * With slots	
1	QASD04A	3200	Valid particulars for looms with beam flange =$\leq \varnothing 1000.$ * Shim 12,5 mm. * Without slots	
1	QASD0CA	3400	Valid particulars for looms with beam flange =$\leq \varnothing 1000.$ * Shim 12,5 mm. * With slots	
1	QASD05A	3400	Valid particulars for looms with beam flange =$\leq \varnothing 1000.$ * Shim 12,5 mm. * Without slots	
1	QASD0DA	3600	Valid particulars for looms with beam flange =$\leq \varnothing 1000.$ * Shim 12,5 mm. * With slots	
1	QASD06A	3600	Valid particulars for looms with beam flange =$\leq \varnothing 1000.$ * Shim 12,5 mm. * Without slots	
2	131120105			
3	C9JF108		Flange $\varnothing 1000$	
3	C9JF107		Flange $\varnothing 800$	
4	0023057		vite tcei m8x20-12.9 iso4762 brunita	
5	VM11022		molla a tazza din.2093 15x8.2x0.7	
6	0189002		anello elastico per alberi d=60 din471	
7	0309017		cusc.rad.rig.sfe.6312 2rs 60x130x31	
8	110025066			
9	131120050			
10	131120051			
11	0125001		rond.piana d=13 uni6592 zincata	
12	VM11046		molla tazza din.2093 25x12,2x 0,9	
13	110025059			

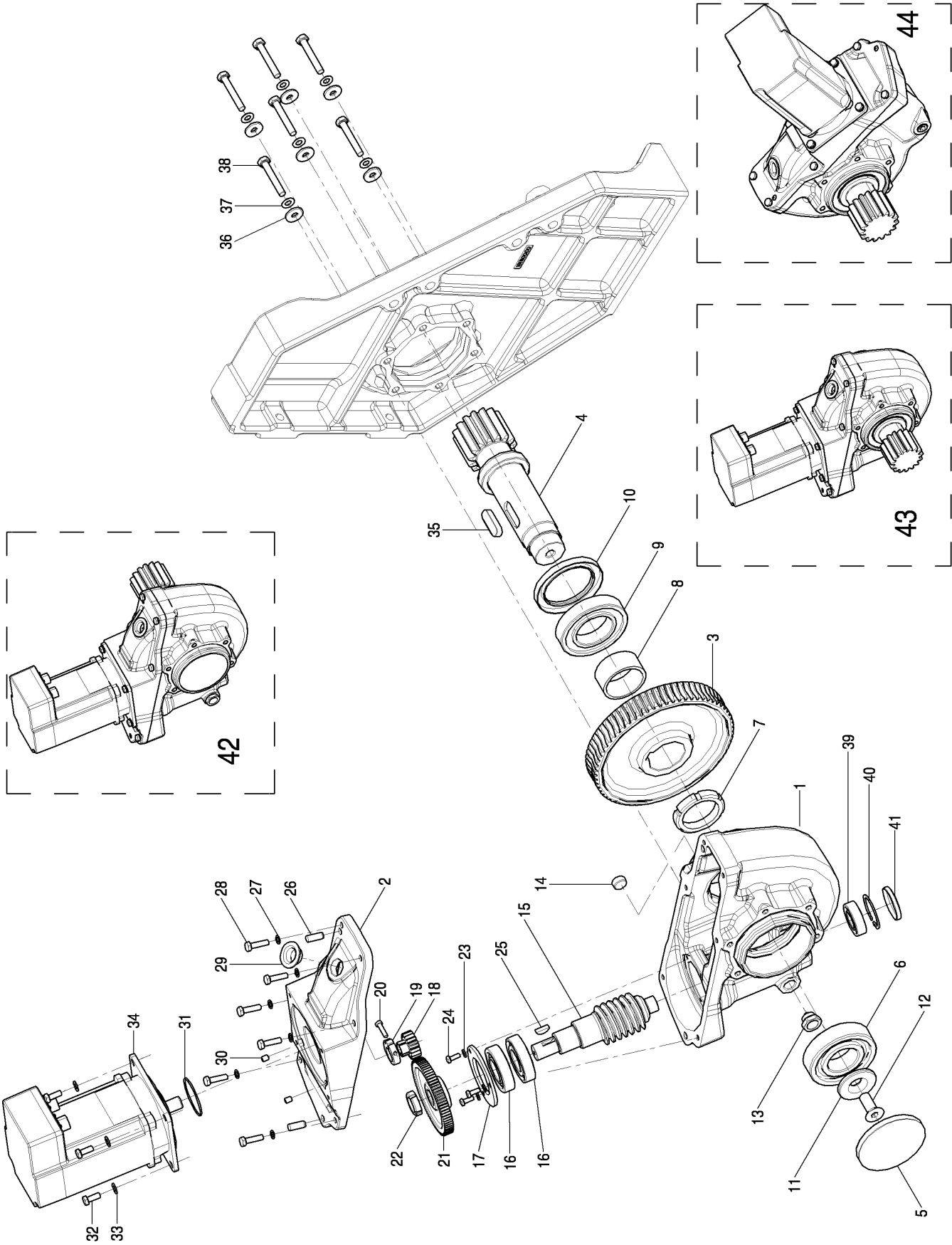
A9500	TWIN BEAMS		AA019-00
	Valid lots from to		02/11/2015



A9500	TWIN BEAMS		AA019-00
	Valid lots from to		02/11/2015

Pos.	Code	Widths	Remarks	Lots
1	2760541	2600	Shim 6 mm. * With slots	
1	2760597	2600	Shim 6 mm. * Without slots	
1	2760542	2800	Shim 6 mm. * With slots	
1	2760598	2800	Shim 6 mm. * Without slots	
1	131220022	3000	Shim 6 mm. * With slots	
1	131220193	3000	Shim 6 mm. * Without slots	
1	131220023	3200	Shim 6 mm. * With slots	
1	131220194	3200	Shim 6 mm. * Without slots	
1	131220024	3400	Shim 6 mm. * With slots	
1	131220195	3400	Shim 6 mm. * Without slots	
1	131220025	3600	Shim 6 mm. * With slots	
1	131220196	3600	Shim 6 mm. * Without slots	
2	C9F2676		Flange Ø= 800 * Class Q2	
2	C9F2680		Flange Ø=1000 * Class Q2	
3	2770056		Flange Ø= 800	
3	2770058		Flange Ø=1000	
4	131120092			
5	0309050		cuscin.6218-2rs rad.ri.sf.90x160x30	
6	0025053		vite tcei m12x65-12.9 iso4762 brunita	
7	0025047		vite tcei m12x35 u9327 c8.8 zincata	
8	QELL002		SBM version	
9	0025032		vite tcei m12x40-12.9 iso4762 brunita	
10	QELL008		PBC version	
11	0237027		spina elast. 5x30 din1481 * PBC version	
12	QALL013		PBC version	

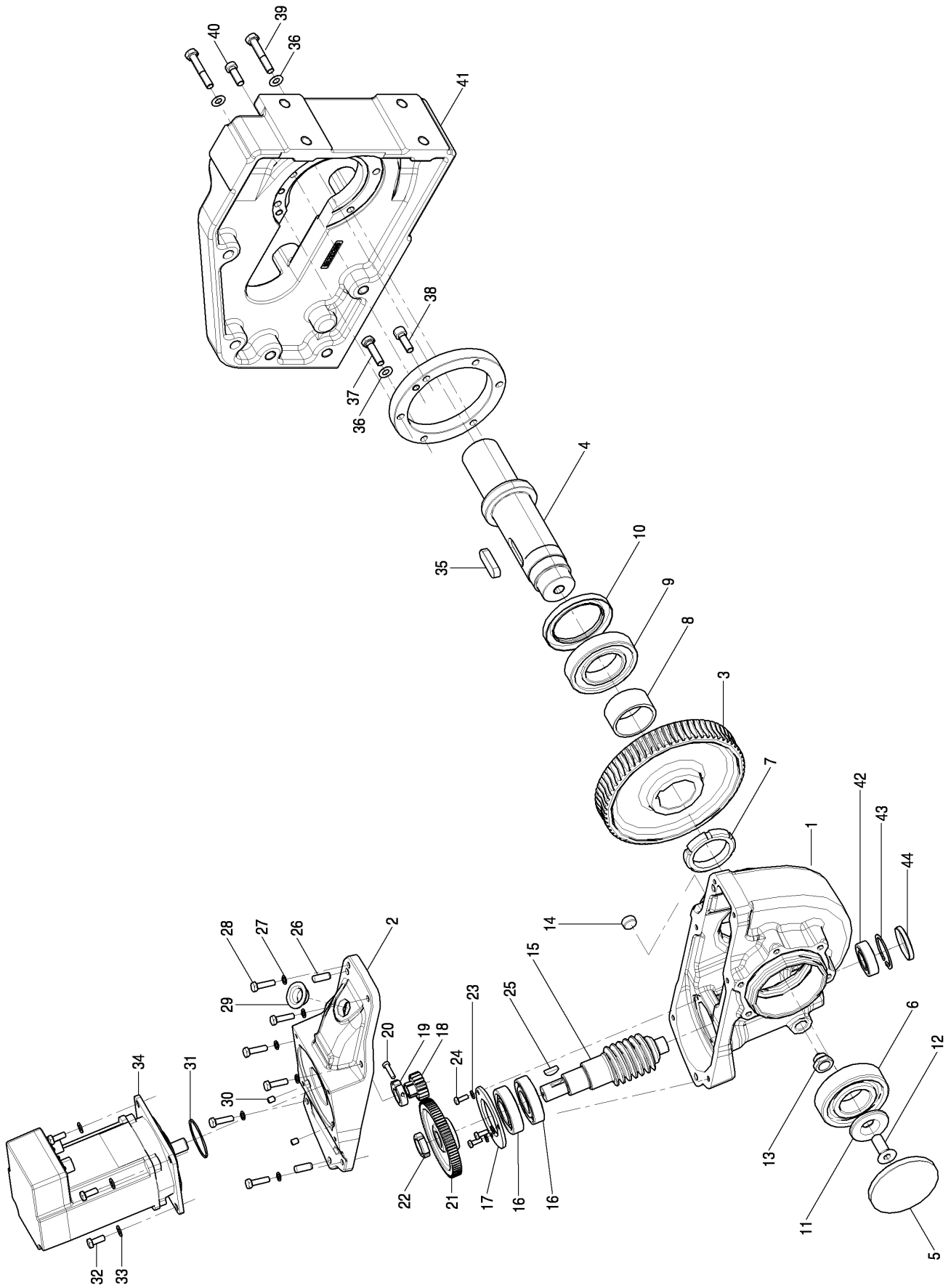
A9500	LET-OFF DEVICE		AA020-00
	Valid lots from to		01/09/2015



A9500	LET-OFF DEVICE		AA020-00
	Valid lots from to		01/09/2015

Pos.	Code	Widths	Remarks	Lots
1	2634112			
2	2534368			
3	2495034			
4	2392148			
5	0389067		tappo corteco v4 126 d=110x10	
6	0309005		cuscinetto 6310 a sfere 50x110x27	
7	0119013		ghiera autobloccante guk m60x2	
8	2140486			
9	0309015		cusc.rull.nj212 ec 60x110x22 skf	
10	0389042		anello di tenuta basl 80x110x10	
11	2140366			
12	0047001		vite tspei m16x40 u5933c10.9 zincata	
13	0472004		tappo magnetico 1/2 36a z36.0508	
14	0472017		tappo conico esag.inc.1/2 gas toson	
15	2391092			
16	0307010		cusc.7207btvpua rad.o.c.sf.35x72x17	
17	2770052			
18	2392138			
19	2162032			
20	0022046		vite tcbei m6x25 u9327 c8.8 zincata	
21	QELB10A			
22	0119005		ghiera autofrenante m25x1,5	
23	0122001		rond.piana d=6,4 uni6592 zincata	
24	0012012		vite te m6x20 uni5739 cl8.8 zincata	
25	0205001		linguetta americana 6x9 uni6606	
26	0228001		spina uni iso 8734 - 10x28 - a - st	
27	0143008		rond.di sic.zig.schnorr"s" 8.4x13x0,8 brunita	
28	0003002		vite te m8x30 uni5737 cl8.8 zincata	
29	0472016		sm.ed6010a tappo	
30	0033002		grano m8x10 uni5923 cl.45h brunito	
31	0389001		anello tenuta or3225 56,82x2,62	
32	0013002		vite te m8x20 uni5739 cl8.8 zincata	
33	0123001		rond.piana d=8,4 uni6592 zincata	
34	2691755			
35	0217001		linguetta 16x10x50 uni6604a rett.h8	
36	0124000		rond.spec. 10,5x28x3 brunita	
37	0144002		molla a tazza 20x10,2x1,1 din2093	
38	110004031			
39	0305021		cusc.nj205ecp a rulli cil.25x52x15	
40	0195001		anello elastico di sic.per fori d=52 uni7437din472	
41	0389072		tappo corteco v4 120 d=52x7	
42	191120029		Right Let-off	
43	191120117		Left Let-off * Valid particulars for looms with beam flange Ø=1000 - 1100	
44	191120145		Left Let-off * Valid particulars for looms with beam flange Ø= 800	

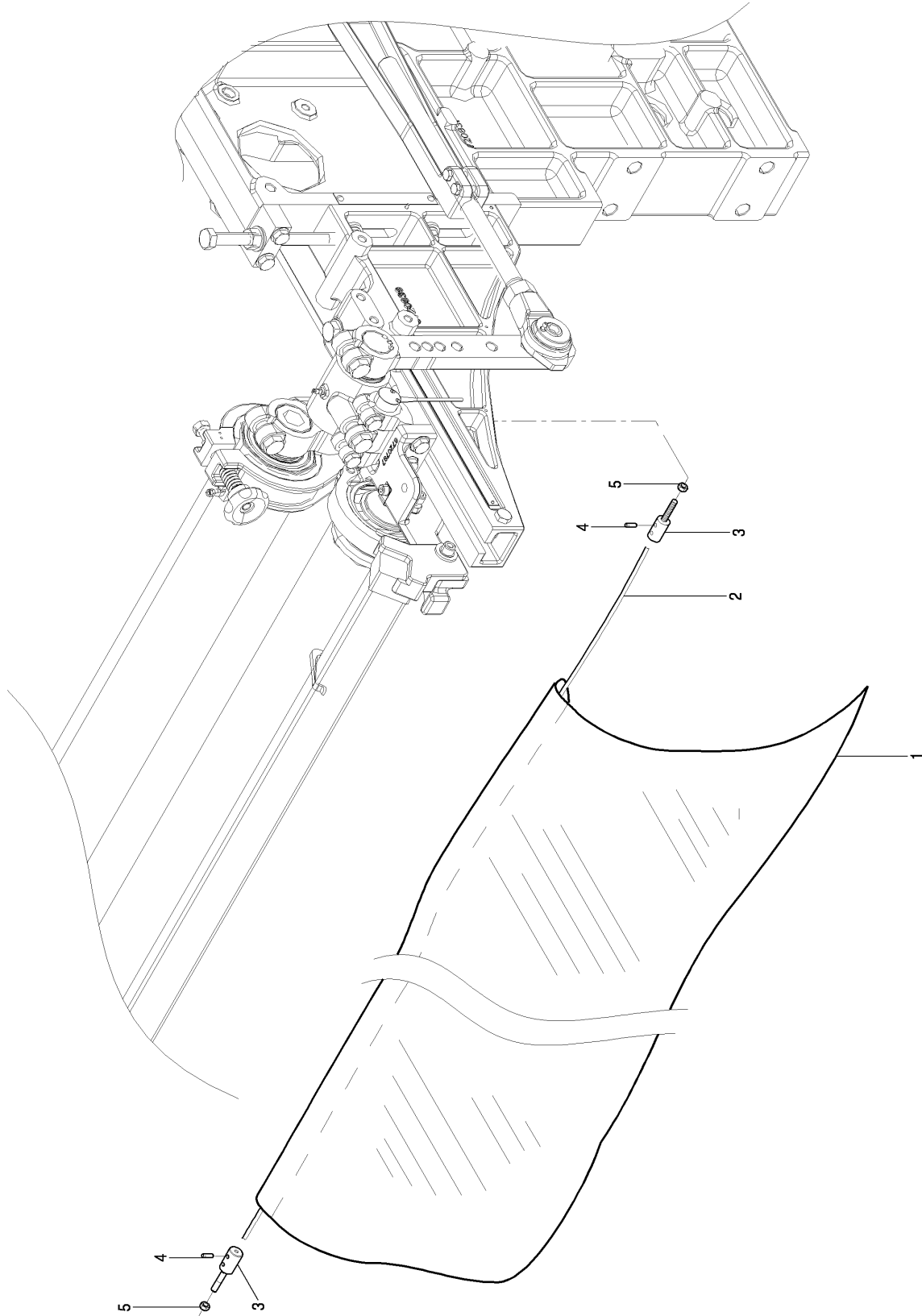
A9500	LET-OFF DEVICE - A9500e	AA024-00
	Valid lots from to	27/07/2015



A9500	LET-OFF DEVICE - A9500e		AA024-00
	Valid lots from to		27/07/2015

Pos.	Code	Widths	Remarks	Lots
1	2634112			
2	2534368			
3	2495034			
4	131120159			
5	0389067		tappo corteco v4 126 d=110x10	
6	0309005		cuscinetto 6310 a sfere 50x110x27	
7	0119013		ghiera autobloccante guk m60x2	
8	2140486			
9	0309015		cusc.rull.nj212 ec 60x110x22 skf	
10	0389042		anello di tenuta basl 80x110x10	
11	2140366			
12	0047001		vite tspei m16x40 u5933c10.9 zincata	
13	0472004		tappo magnetico 1/2 36a z36.0508	
14	0472017		tappo conico esag.inc.1/2 gas toson	
15	2391092			
16	0307006		cusc.7207btvpua rad.o.c.sf.35x72x17	
17	2770052			
18	2392138			
19	2162032			
20	0022046		vite tcbei m6x25 u9327 c8.8 zincata	
21	QELB10A			
22	0119005		ghiera autofrenante m25x1,5	
23	0122001		rond.piana d=6,4 uni6592 zincata	
24	110012028			
25	0205001		linguetta americana 6x9 uni6606	
26	0228001		spina uni iso 8734 - 10x28 - a - st	
27	0143008		rond.di sic.zig.schnorr"s" 8.4x13x0,8 brunita	
28	110013031			
29	0472016		sm.ed6010a tappo	
30	0033002		grano m8x10 uni5923 cl.45h brunito	
31	0389001		anello tenuta or3225 56,82x2,62	
32	110013029			
33	0123001		rond.piana d=8,4 uni6592 zincata	
34	2691755			
35	0217001		linguetta 16x10x50 uni6604a rett.h8	
36	0144002		molla a tazza 20x10,2x1,1 din2093	
37	110014028			
38	110024054			
39	110004030			
40	110024040			
41	131120162			
42	0305021		cusc.nj205ecp a rulli cil.25x52x15	
43	0195001		anello elastico di sic.per fori d=52 uni7437din472	
44	0389072		tappo corteco v4 120 d=52x7	

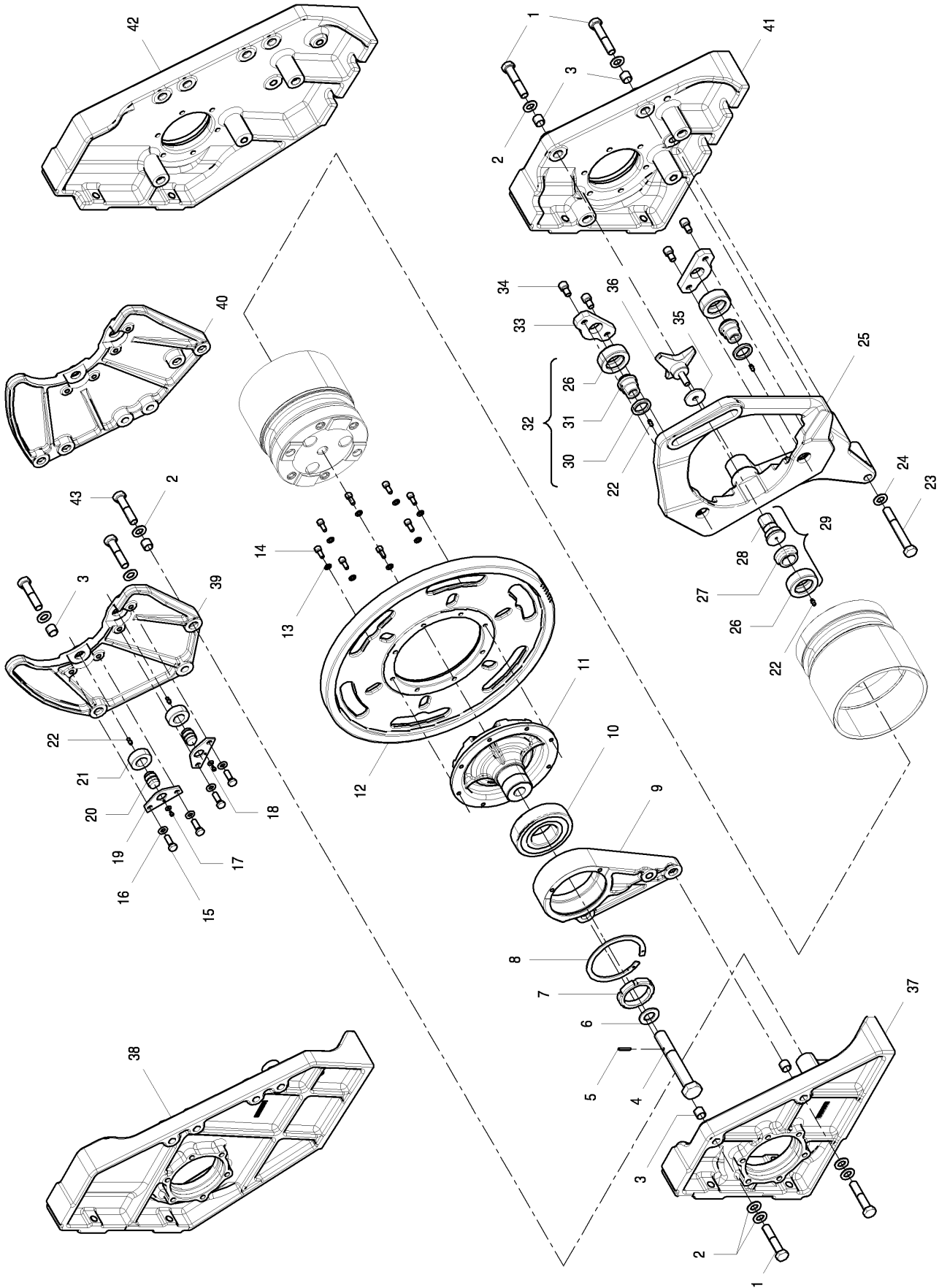
A9500	BEAM COVER	AA030-00
	Valid lots from to	06/10/2015



A9500	BEAM COVER		AA030-00
	Valid lots from to		06/10/2015

Pos.	Code	Widths	Remarks	Lots
1	ETY002A	1900		
1	ETY003A	2100		
1	ETY004A	2200		
1	ETY005A	2300		
1	ETY006A	2600		
1	ETY007A	2800		
1	ETY008A	3000		
1	ETY010A	3200		
1	ETY011A	3400		
1	ETY012A	3600		
2	HN7157C	1900÷2300		
2	HN7158C	2600÷3600		
3	ETY018A			
4	VV19032		grano m6x8 uni5923 cl.45h zincata	
5	VD13018		dado esag. m 8 uni5588 cl.8 zincato	

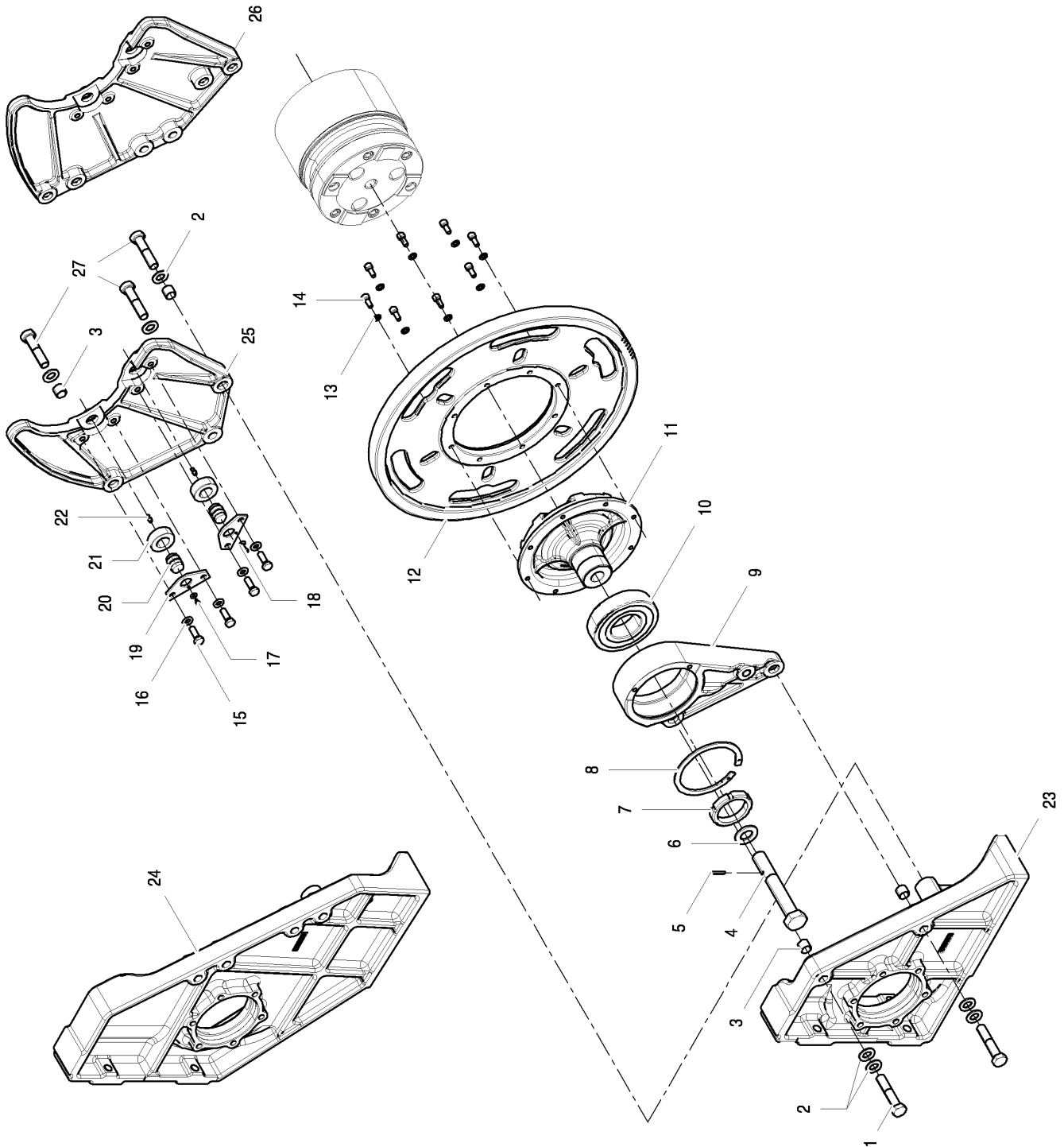
A9500	SUPPORT FOR SBM SIMPLE BEAM Ø800 - Ø1000 - Ø1100	AA105-00
	Valid lots from to	29/09/2016



A9500	SUPPORT FOR SBM SIMPLE BEAM Ø800 - Ø1000 - Ø1100		AA105-00
	Valid lots from to		29/09/2016

Pos.	Code	Widths	Remarks	Lots
1	110007024			
2	0127001		rond.piana d=17 uni6592 zincata	
3	0375036		anello interno jr17x20x16,5	
4	QELL001			
5	0237027		spina elast. 5x30 din1481	
6	0129001		rond.piana d=25 uni6592 zincata	
7	0119013		ghiera autobloccante guk m60x2	
8	0199003		anello elastico di sic.per fori d130 uni7437din472	
9	131220001			
10	0309017		cusc.rad.rig.sfe.6312 2rs 60x130x31	
11	QELL003			
12	131120105			
13	VM11022		molla a tazza din.2093 15x8.2x0.7	
14	0023057		vite tcei m8x20-12.9 iso4762 brunita	
15	110014026			
16	0124001		rond.piana d=10,5 uni6592 zincata	
17	110021102			
18	0121003		rond.spec.d=4,3x12sp1,5 u6593 zincata	
19	131220094			
20	131220093			
21	131220092			
22	0477004		ingrassatore hydraulic 273-a 6ma	
23	110007028			
24	0127001		rond.piana d=17 uni6592 zincata	
25	131220000			
26	2141018			
27	2143040			
28	2151008			
29	9180218			
30	2143038			
31	2101034			
32	9180217			
33	LELL11A			
34	110025054			
35	LELL13A			
36	110439055			
37	131110002		Valid particulars for looms with beam flange Ø= 800	
38	131110000		Valid particulars for looms with beam flange Ø=1000 - 1100	
39	131220187		Valid particulars for looms with beam flange Ø= 800	
40	131220188		Valid particulars for looms with beam flange Ø=1000 - 1100	
41	131110003		Valid particulars for looms with beam flange Ø= 800	
42	131110001		Valid particulars for looms with beam flange Ø=1000 - 1100	
43	110007023			

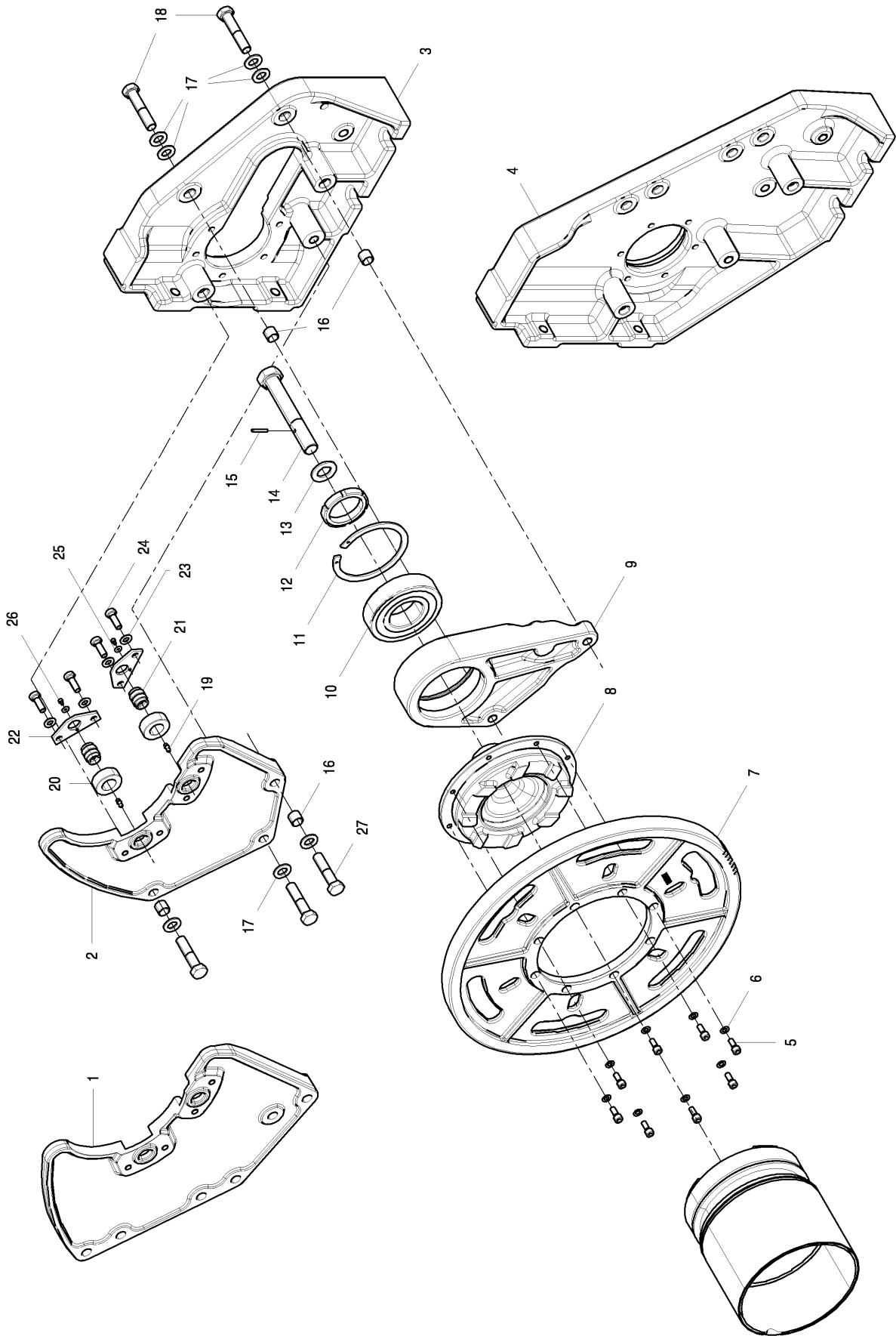
A9500	RIGHT SIDE SUPPORT FOR SBM TWIN BEAM Ø800 - Ø1000 - Ø1100	AA110-00
	Valid lots from to	29/09/2016



A9500	RIGHT SIDE SUPPORT FOR SBM TWIN BEAM Ø800 - Ø1000 - Ø1100	AA110-00
	Valid lots from to	29/09/2016

Pos.	Code	Widths	Remarks	Lots
1	110007024			
2	0127001		rond.piana d=17 uni6592 zincata	
3	0375036		anello interno jr17x20x16,5	
4	QELL001			
5	0237027		spina elast. 5x30 din1481	
6	0129001		rond.piana d=25 uni6592 zincata	
7	0119013		ghiera autobloccante guk m60x2	
8	0199003		anello elastico di sic.per fori d130 uni7437din472	
9	131220001			
10	0309017		cusc.rad.rig.sfe.6312 2rs 60x130x31	
11	QELL003			
12	131120105			
13	VM11022		molla a tazza din.2093 15x8.2x0.7	
14	0023057		vite tcei m8x20-12.9 iso4762 brunita	
15	110014026			
16	0124001		rond.piana d=10,5 uni6592 zincata	
17	110021102			
18	0121003		rond.spec.d=4,3x12sp1,5 u6593 zincata	
19	131220094			
20	131220093			
21	131220092			
22	0477004		ingrassatore hydraulic 273-a 6ma	
23	131110002		Valid particulars for looms with beam flange Ø= 800	
24	131110000		Valid particulars for looms with beam flange Ø=1000 - 1100	
25	131220187		Valid particulars for looms with beam flange Ø= 800	
26	131220188		Valid particulars for looms with beam flange Ø=1000 - 1100	
27	110007023			

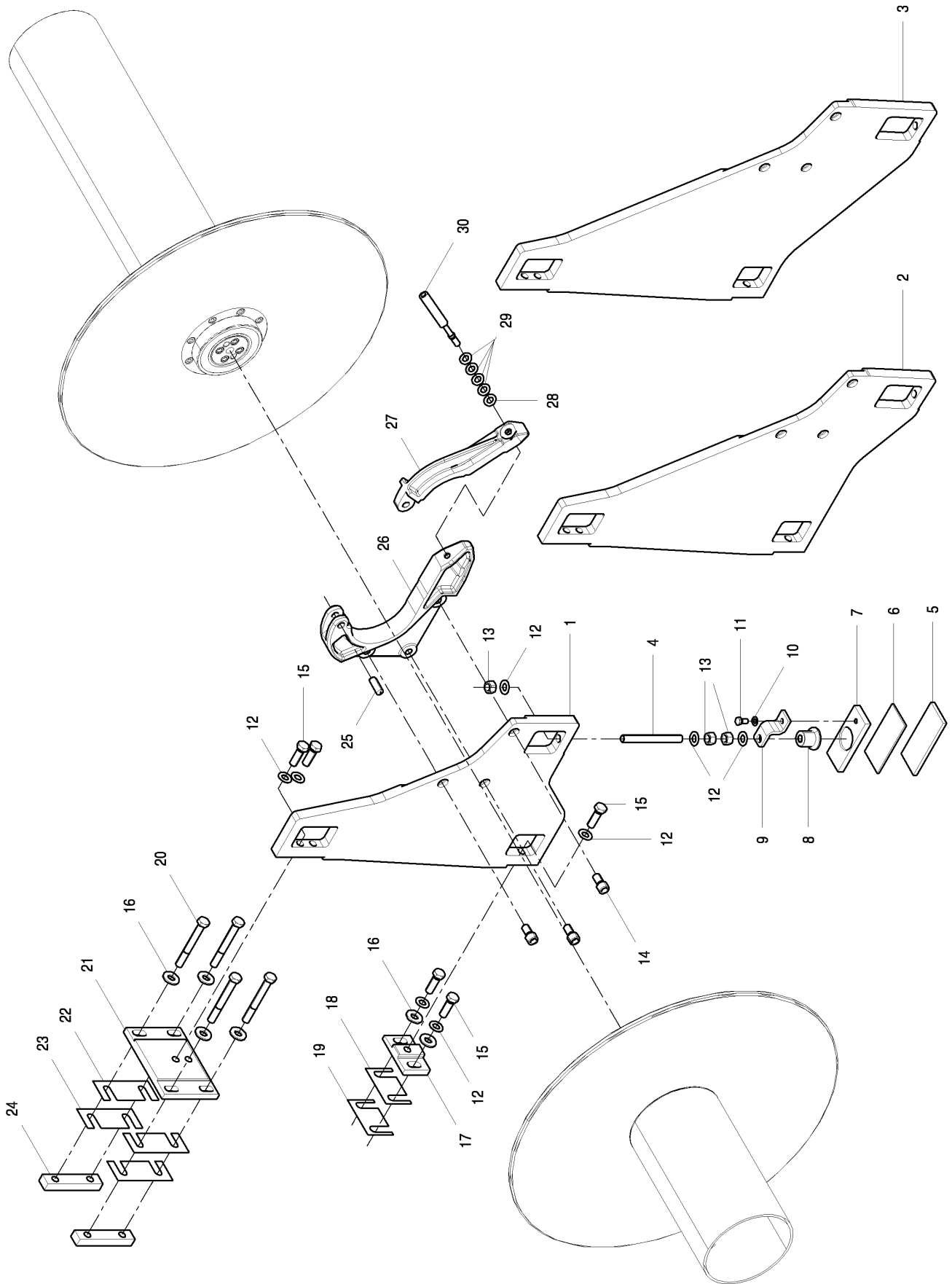
A9500	LEFT SIDE SUPPORT FOR SBM TWIN BEAM Ø800 - Ø1000 - Ø1100	AA115-00
	Valid lots from to	29/09/2016



A9500	LEFT SIDE SUPPORT FOR SBM TWIN BEAM Ø800 - Ø1000 - Ø1100	AA115-00
	Valid lots from to	29/09/2016

Pos.	Code	Widths	Remarks	Lots
1	131220192		Valid particulars for looms with beam flange Ø=1000 - 1100	
2	131220282		Valid particulars for looms with beam flange Ø= 800	
3	131210288		Valid particulars for looms with beam flange Ø= 800	
4	131110001		Valid particulars for looms with beam flange Ø=1000 - 1100	
5	0023057		vite tcei m8x20-12.9 iso4762 brunita	
6	VM11022		molla a tazza din.2093 15x8.2x0.7	
7	131120105			
8	QELL003			
9	131220019			
10	0309017		cusc.rad.rig.sfe.6312 2rs 60x130x31	
11	0199003		anello elastico di sic.per fori d130 uni7437din472	
12	0119013		ghiera autobloccante guk m60x2	
13	0129001		rond.piana d=25 uni6592 zincata	
14	QELL001			
15	0237027		spina elast. 5x30 din1481	
16	0375036		anello interno jr17x20x16,5	
17	0127001		rond.piana d=17 uni6592 zincata	
18	110007024			
19	0477004		ingrassatore hydraulic 273-a 6ma	
20	131220092			
21	131220093			
22	131220094			
23	0124001		rond.piana d=10,5 uni6592 zincata	
24	110014026			
25	0121003		rond.spec.d=4,3x12sp1,5 u6593 zincata	
26	110021102			
27	110007023			

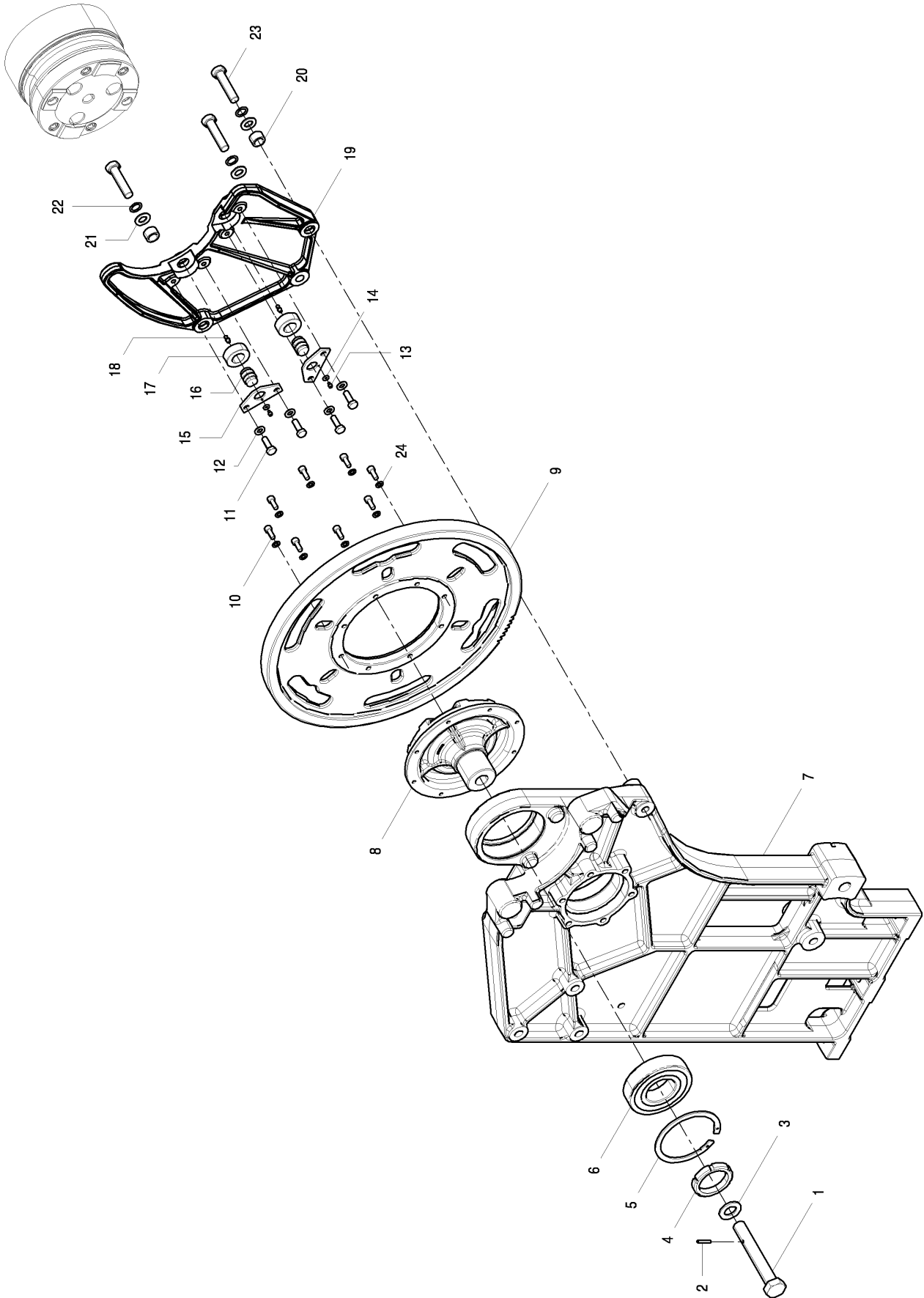
A9500	CENTRAL SUPPORT FOR SBM TWIN BEAM Ø800 - Ø1000 - Ø1100	AA120-00
	Valid lots from to	01/09/2015



A9500	CENTRAL SUPPORT FOR SBM TWIN BEAM Ø800 - Ø1000 - Ø1100		AA120-00
	Valid lots from to		01/09/2015

Pos.	Code	Widths	Remarks	Lots
1	131120106		Valid particulars for looms with beam flange Ø= 800	
2	131120087		Valid particulars for looms with beam flange Ø=1000	
3	131120107		Valid particulars for looms with beam flange Ø=1100	
4	QENQ24A		Valid particulars for looms with beam flange Ø= 800	
4	QENQ33A		Valid particulars for looms with beam flange Ø=1000 - 1100	
5	QEDZ004			
6	LEDZ0MA			
7	2500992		Valid particulars for looms with beam flange Ø= 800 - 1000	
7	131120119		Valid particulars for looms with beam flange Ø=1100	
8	QENQ19A		Valid particulars for looms with beam flange Ø= 800 - 1000	
8	131120120		Valid particulars for looms with beam flange Ø=1100	
9	QENQ34A			
10	VM11036		molla tazza din.2093 20x10,2x 0,8	
11	110014024			
12	VM11057		molla tazza din.2093 31,5x16,3x 1,75	
13	110107009			
14	110027037			
15	110017028			
16	0127002		rond.spec.d=17x38x4 ferro zincata	
17	131120108			
18	QENQ09A			
19	QENQ46A			
20	110007029			
21	131120088			
22	131120118			
23	131120117			
24	131120116			
25	VS10345		spina cilin.tem.din.6325 16 m6 x 45	
26	131120090			
27	131120091			
28	0126001		rond.piana d=15 uni6592 zincata	
29	VM11055		molla tazza din.2093 28x14,2x 1,5	
30	131120093			

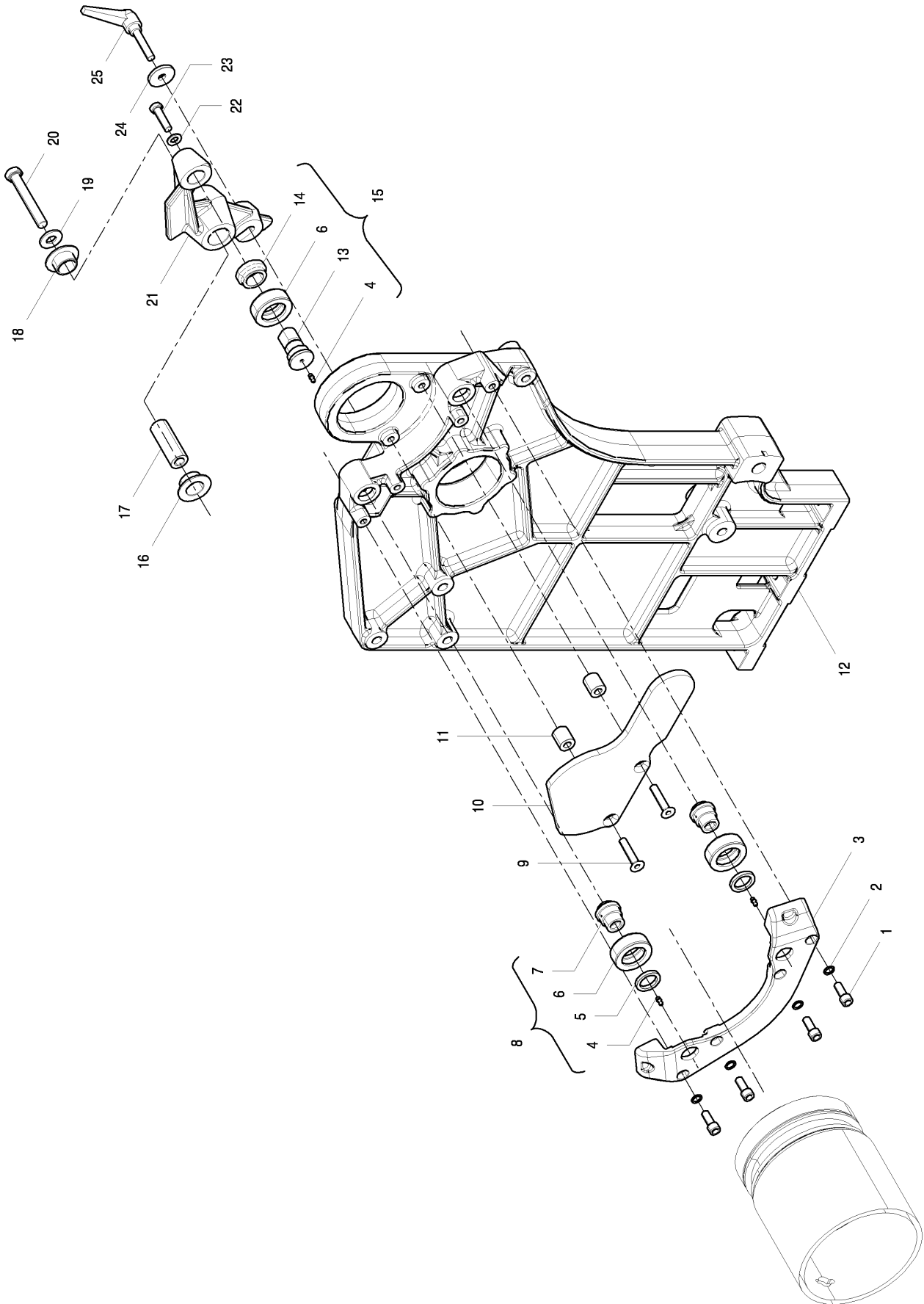
A9500	RIGHT SIDE SUPPORT FOR SBM UPPER BEAM	AA130-00
	Valid lots from to	29/09/2016



A9500	RIGHT SIDE SUPPORT FOR SBM UPPER BEAM		AA130-00
	Valid lots from to		29/09/2016

Pos.	Code	Widths	Remarks	Lots
1	QELL001			
2	0237027		spina elast. 5x30 din1481	
3	0129001		rond.piana d=25 uni6592 zincata	
4	0119013		ghiera autobloccante guk m60x2	
5	0199003		anello elastico di sic.per fori d130 uni7437din472	
6	0309017		cusc.rad.rig.sfe.6312 2rs 60x130x31	
7	131240061			
8	QELL003			
9	QELL05A			
10	110023075			
11	110014026			
12	0124001		rond.piana d=10,5 uni6592 zincata	
13	110021102			
14	0121003		rond.spec.d=4,3x12sp1,5 u6593 zincata	
15	131220094			
16	131220093			
17	131220092			
18	0477004		ingrassatore hydraulic 273-a 6ma	
19	131220187			
20	0379029		bussola guida 18x26x16 din179	
21	0127001		rond.piana d=17 uni6592 zincata	
22	0141015		rond.di sic.zig.schnorr"s" 17x24x1.3 brunita	
23	110007023			
24	VM11022		molla a tazza din.2093 15x8.2x0.7	

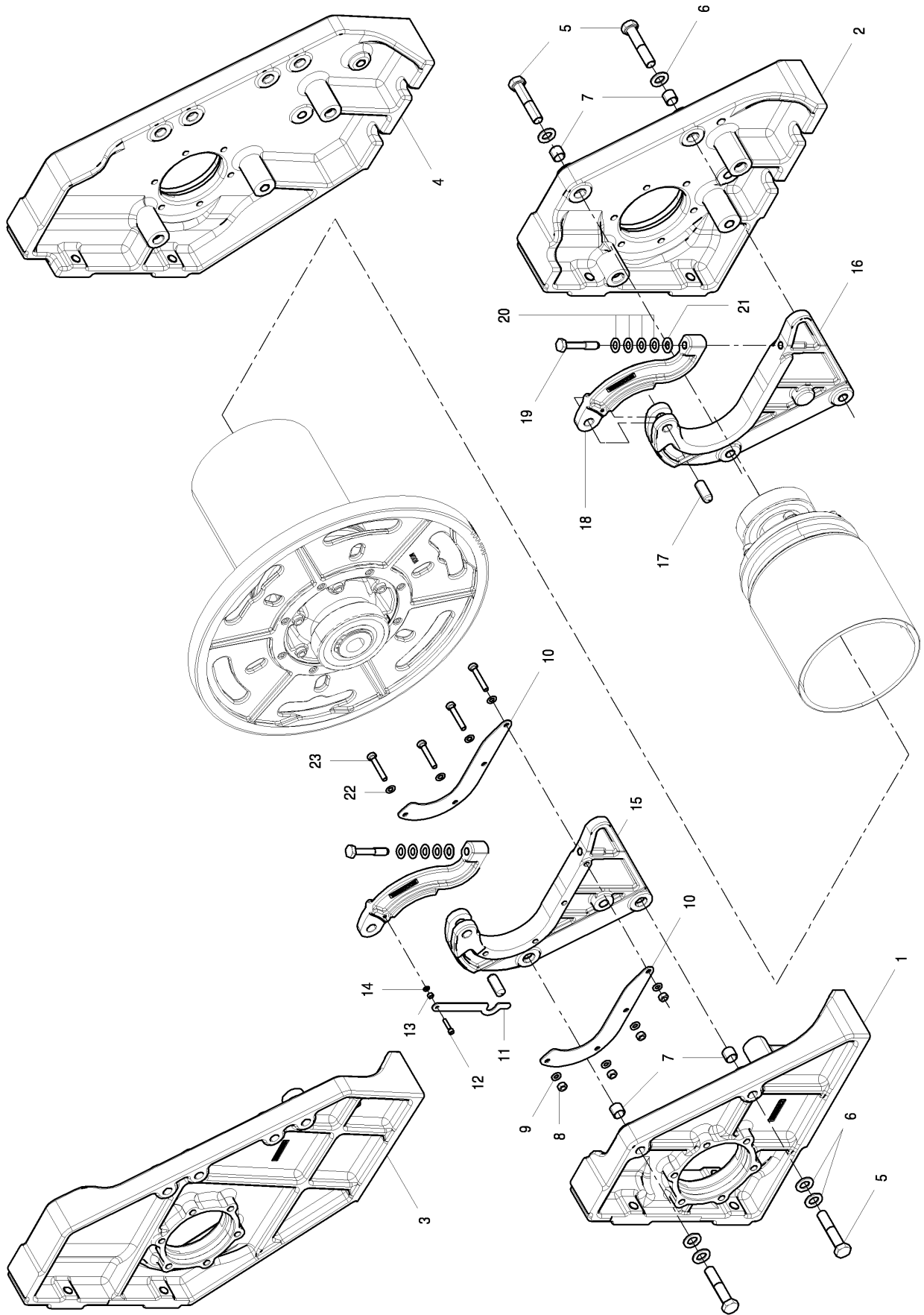
A9500	LEFT SIDE SUPPORT FOR SBM UPPER BEAM	AA135-00
	Valid lots from to	01/09/2015



A9500	LEFT SIDE SUPPORT FOR SBM UPPER BEAM		AA135-00
	Valid lots from to		01/09/2015

Pos.	Code	Widths	Remarks	Lots
1	110025056			
2	0155001		rond.di sic.zig.schnorr"s" 13x18x1,1 brunita	
3	2624228			
4	0477004		ingrassatore hydraulic 273-a 6ma	
5	2143038			
6	2141018			
7	2101034			
8	9180217			
9	VV18064		vite tspei m12x60 uni5933 cl10.9 zincata	
10	131220110			
11	LEPL052			
12	131240060			
13	2151008			
14	2143040			
15	9180218			
16	2148104			
17	131220185			
18	2148104			
19	0127002		rond.spec.d=17x38x4 ferro zincata	
20	110017036			
21	131220159			
22	0125001		rond.piana d=13 uni6592 zincata	
23	110015024			
24	2140206			
25	110439052			

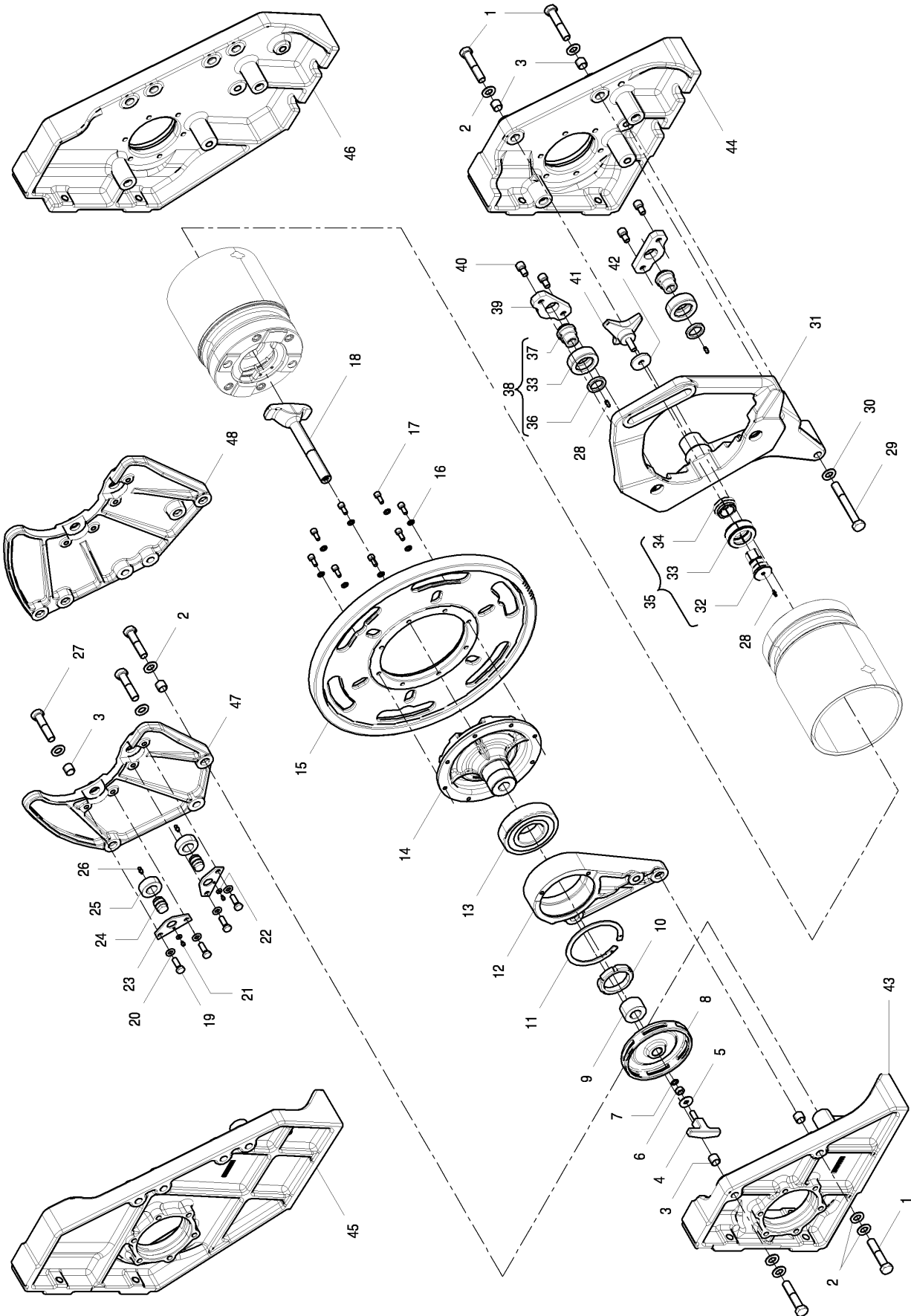
A9500	SUPPORT FOR STANDARD BEAM Ø800 - Ø1000 - Ø1100	AA140-00
	Valid lots from to	01/09/2015



A9500	SUPPORT FOR STANDARD BEAM Ø800 - Ø1000 - Ø1100	AA140-00
	Valid lots from to	01/09/2015

Pos.	Code	Widths	Remarks	Lots
1	131110002		Valid particulars for looms with beam flange Ø= 800	
2	131110003		Valid particulars for looms with beam flange Ø= 800	
3	131110000		Valid particulars for looms with beam flange Ø=1000 - 1100	
4	131110001		Valid particulars for looms with beam flange Ø=1000 - 1100	
5	110007024			
6	0127001		rond.piana d=17 uni6592 zincata	
7	0375036		anello interno jr17x20x16,5	
8	110103010			
9	0123001		rond.piana d=8,4 uni6592 zincata	
10	131120049			
11	131120048			
12	110021116			
13	110101020			
14	0121002		rond.piana d=5,3 uni6592 zincata	
15	131120001			
16	131120000			
17	VS10344		spina cilin.tem.din.6325 16 m6 x 40	
18	131120002			
19	131120095			
20	VM11045		molla tazza din.2093 23x12,2x 1,25-262.600.068	
21	0125001		rond.piana d=13 uni6592 zincata	
22	VM11024		molla a tazza d.16x8.2x0.6 din 2093	
23	110013035			

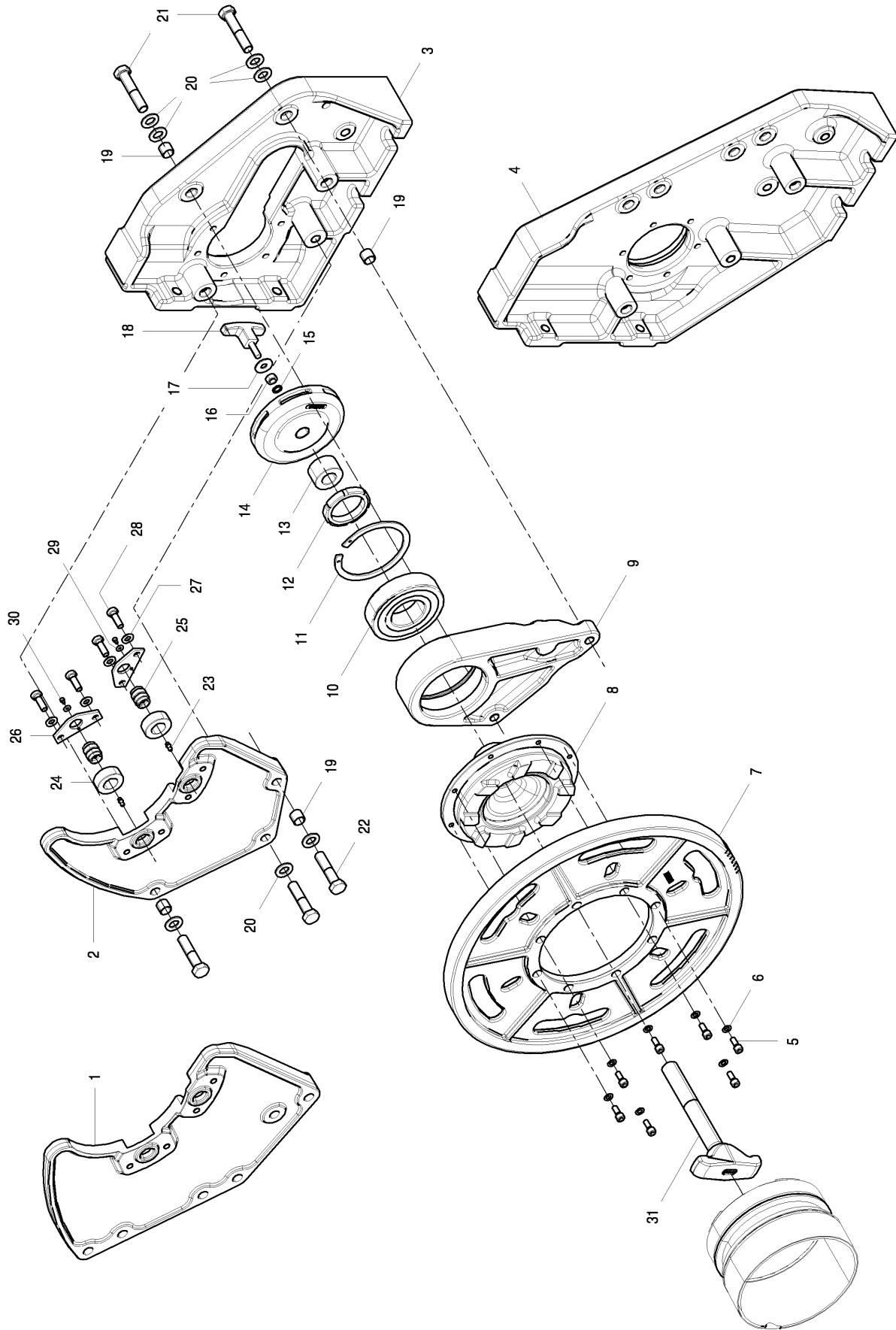
A9500	SUPPORT FOR PBC SIMPLE BEAM Ø800 - Ø1000 - Ø1100	AA205-00
	Valid lots from to	01/09/2015



A9500	SUPPORT FOR PBC SIMPLE BEAM Ø800 - Ø1000 - Ø1100		AA205-00
	Valid lots from to		01/09/2015

Pos.	Code	Widths	Remarks	Lots
1	110007024			
2	0127001		rond.piana d=17 uni6592 zincata	
3	0375036		anello interno jr17x20x16,5	
4	0439041		maniglia a t mod.652/80 p m10x30	
5	0124002		rond.piana d=11x30x2,5 iso7093-2 100hv zincata	
6	110104007			
7	0144006		rond.di sicur.zig.schnor 10,5x16x1 zinca	
8	QELL009			
9	2140005			
10	0119013		ghiera autobloccante guk m60x2	
11	0199003		anello elastico di sic.per fori d130 uni7437din472	
12	131220001			
13	0309017		cusc.rad.rig.sfe.6312 2rs 60x130x31	
14	QELL003			
15	131120105			
16	VM11022		molla a tazza din.2093 15x8.2x0.7	
17	0023057		vite tcei m8x20-12.9 iso4762 brunita	
18	QELL010			
19	110014026			
20	0124001		rond.piana d=10,5 uni6592 zincata	
21	110021102			
22	0121003		rond.spec.d=4,3x12sp1,5 u6593 zincata	
23	131220094			
24	131220093			
25	131220092			
26	0477004		ingrassatore hydraulic 273-a 6ma	
27	110007023			
28	0477004		ingrassatore hydraulic 273-a 6ma	
29	110007028			
30	0127001		rond.piana d=17 uni6592 zincata	
31	131220000			
32	2141018			
33	2143040			
34	2151008			
35	9180218			
36	2143038			
37	2101034			
38	9180217			
39	LELL11A			
40	110025054			
41	110439055			
42	LELL13A			
43	131110002		Valid particulars for looms with beam flange Ø= 800	
44	131110003		Valid particulars for looms with beam flange Ø= 800	
45	131110000		Valid particulars for looms with beam flange Ø=1000 - 1100	
46	131110001		Valid particulars for looms with beam flange Ø=1000 - 1100	
47	131220187		Valid particulars for looms with beam flange Ø= 800	
48	131220188		Valid particulars for looms with beam flange Ø=1000 - 1100	

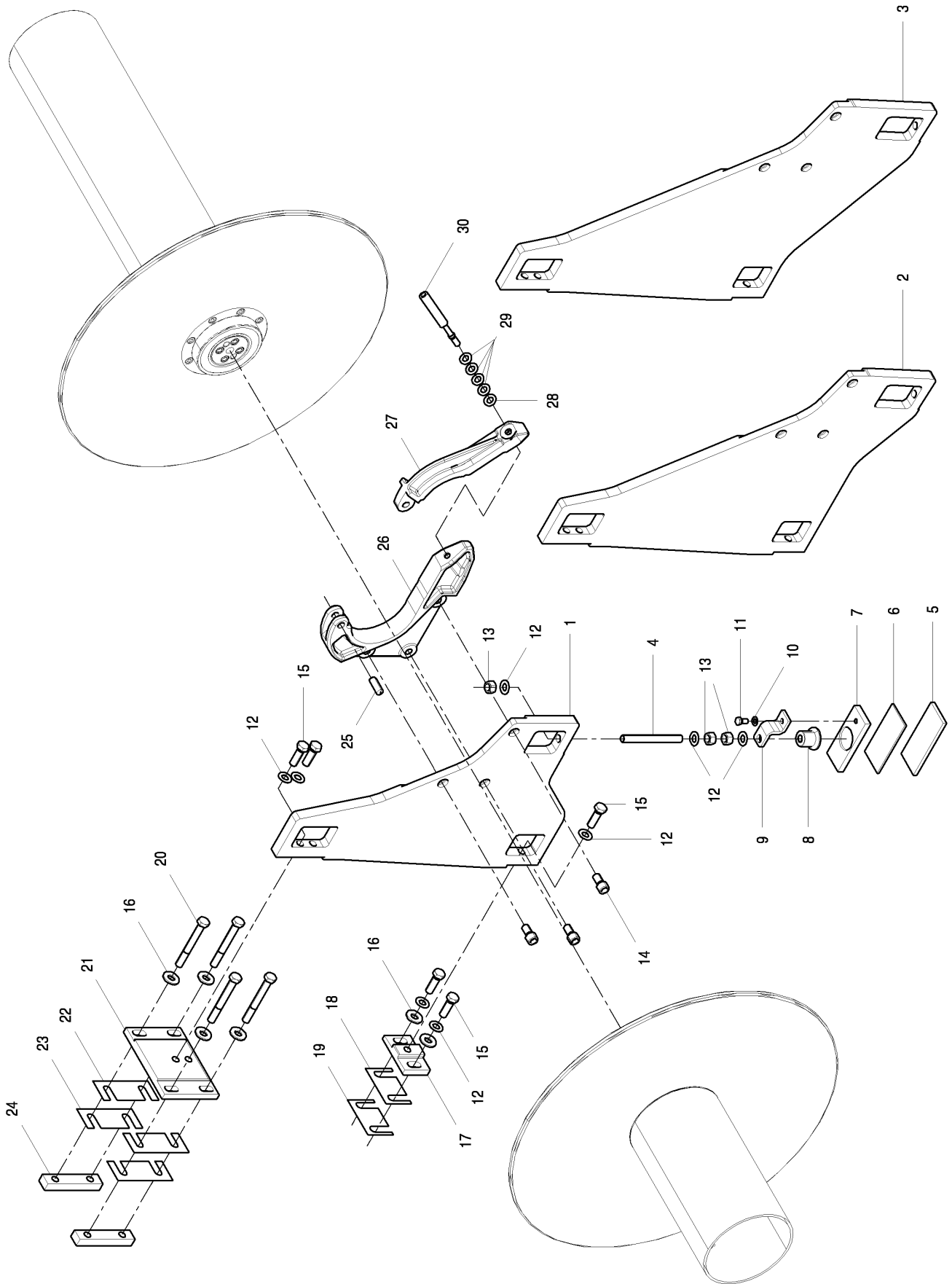
A9500	LEFT SIDE SUPPORT FOR PBC TWIN BEAM Ø800 - Ø1000 - Ø1100	AA215-00
	Valid lots from to	01/09/2015



A9500	LEFT SIDE SUPPORT FOR PBC TWIN BEAM Ø800 - Ø1000 - Ø1100	AA215-00
	Valid lots from to	01/09/2015

Pos.	Code	Widths	Remarks	Lots
1	131220192		Valid particulars for looms with beam flange Ø=1000 - 1100	
2	131220282		Valid particulars for looms with beam flange Ø= 800	
3	131210288		Valid particulars for looms with beam flange Ø= 800	
4	131110001		Valid particulars for looms with beam flange Ø=1000 - 1100	
5	0023057		vite tcei m8x20-12.9 iso4762 brunita	
6	VM11022		molla a tazza din.2093 15x8.2x0.7	
7	131120105			
8	QELL003			
9	131220019			
10	0309017		cusc.rad.rig.sfe.6312 2rs 60x130x31	
11	0199003		anello elastico di sic.per fori d130 uni7437din472	
12	0119013		ghiera autobloccante guk m60x2	
13	2140005			
14	QELL009			
15	0144006		rond.di sicur.zig.schnor 10,5x16x1 zinca	
16	110104007			
17	0124002		rond.piana d=11x30x2,5 iso7093-2 100hv zincata	
18	0439041		maniglia a t mod.652/80 p m10x30	
19	0375036		anello interno jr17x20x16,5	
20	0127001		rond.piana d=17 uni6592 zincata	
21	110007024			
22	110007023			
23	0477004		ingrassatore hydraulic 273-a 6ma	
24	131220092			
25	131220093			
26	131220094			
27	0124001		rond.piana d=10,5 uni6592 zincata	
28	110014026			
29	0121003		rond.spec.d=4,3x12sp1,5 u6593 zincata	
30	110021102			
31	QELL010			

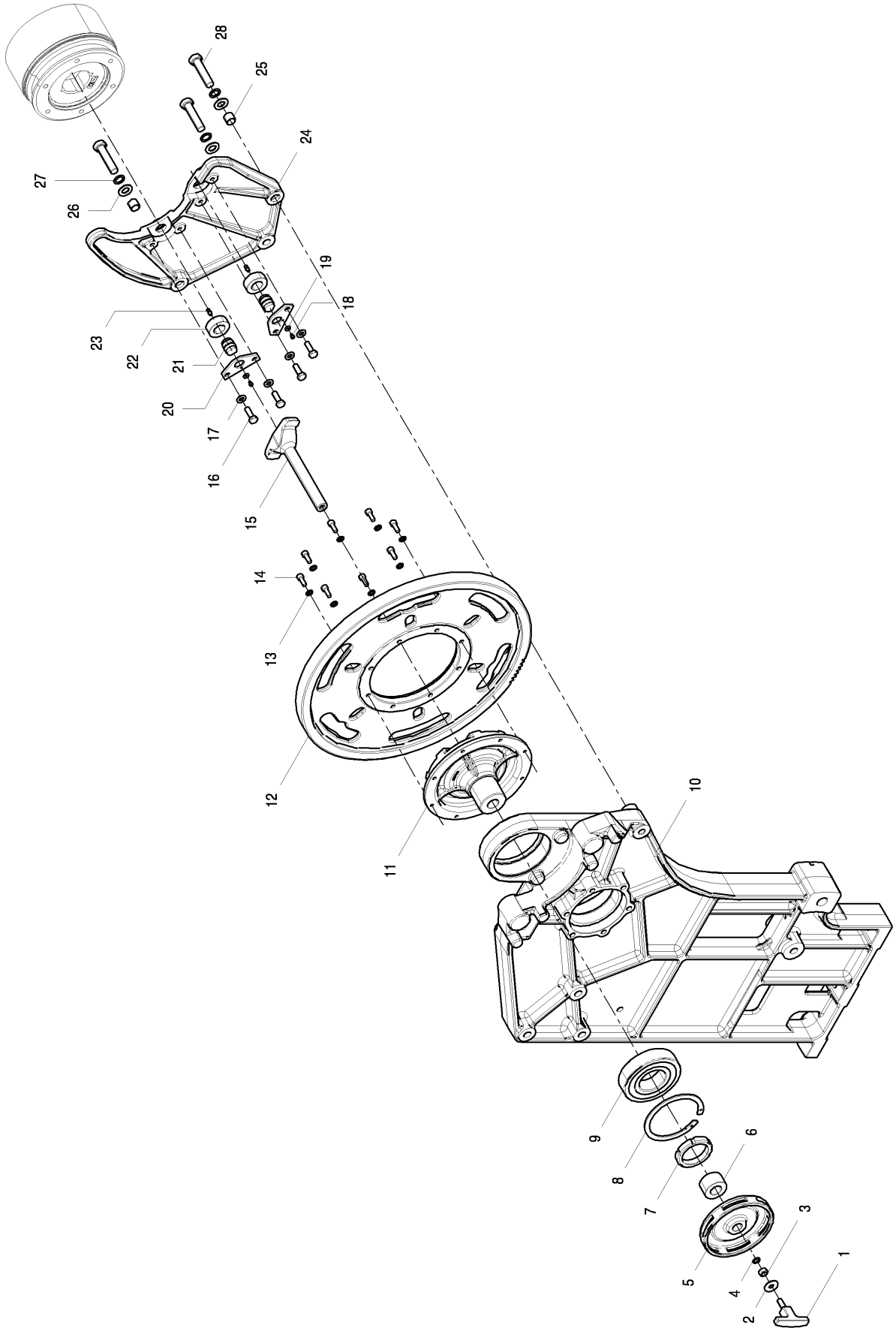
A9500	CENTRAL SUPPORT FOR PBC TWIN BEAM Ø800 - Ø1000 - Ø1100	AA220-00
	Valid lots from to	01/09/2015



A9500	CENTRAL SUPPORT FOR PBC TWIN BEAM Ø800 - Ø1000 - Ø1100		AA220-00
	Valid lots from to		01/09/2015

Pos.	Code	Widths	Remarks	Lots
1	131120106		Valid particulars for looms with beam flange Ø= 800	
2	131120087		Valid particulars for looms with beam flange Ø=1000	
3	131120107		Valid particulars for looms with beam flange Ø=1100	
4	QENQ24A		Valid particulars for looms with beam flange Ø= 800	
4	QENQ33A		Valid particulars for looms with beam flange Ø=1000 - 1100	
5	QEDZ004			
6	LEDZ0MA			
7	2500992		Valid particulars for looms with beam flange Ø= 800 - 1000	
7	131120119		Valid particulars for looms with beam flange Ø=1100	
8	QENQ19A		Valid particulars for looms with beam flange Ø= 800 - 1000	
8	131120120		Valid particulars for looms with beam flange Ø=1100	
9	QENQ34A			
10	VM11036		molla tazza din.2093 20x10,2x 0,8	
11	110014024			
12	VM11057		molla tazza din.2093 31,5x16,3x 1,75	
13	110107009			
14	110027037			
15	110017028			
16	0127002		rond.spec.d=17x38x4 ferro zincata	
17	131120108			
18	QENQ09A			
19	QENQ46A			
20	110007029			
21	131120088			
22	131120118			
23	131120117			
24	131120116			
25	VS10345		spina cilin.tem.din.6325 16 m6 x 45	
26	131120090			
27	131120091			
28	0126001		rond.piana d=15 uni6592 zincata	
29	VM11055		molla tazza din.2093 28x14,2x 1,5	
30	131120093			

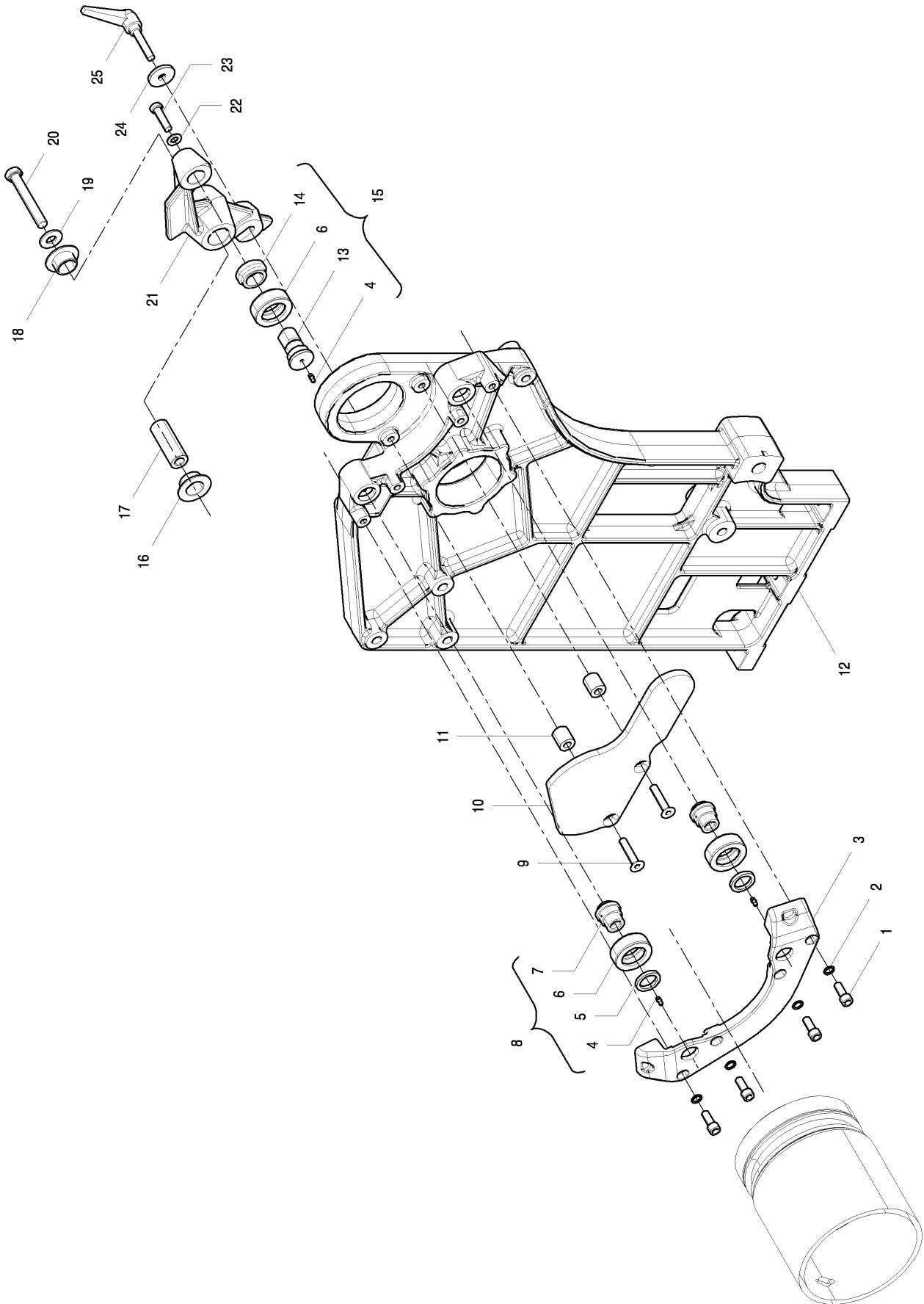
A9500	RIGHT SIDE SUPPORT FOR PBC UPPER BEAM	AA225-00
	Valid lots from to	01/09/2015



A9500	RIGHT SIDE SUPPORT FOR PBC UPPER BEAM		AA225-00
	Valid lots from to		01/09/2015

Pos.	Code	Widths	Remarks	Lots
1	0439041		maniglia a t mod.652/80 p m10x30	
2	0124002		rond.piana d=11x30x2,5 iso7093-2 100hv zincata	
3	110104007			
4	0144006		rond.di sicur.zig.schnor 10,5x16x1 zinca	
5	QELL009			
6	2140005			
7	0119013		ghiera autobloccante guk m60x2	
8	0199003		anello elastico di sic.per fori d130 uni7437din472	
9	0309017		cusc.rad.rig.sfe.6312 2rs 60x130x31	
10	131240061			
11	QELL003			
12	QELL05A			
13	VM11022		molla a tazza din.2093 15x8.2x0.7	
14	110023075			
15	QELL010			
16	110014026			
17	0124001		rond.piana d=10,5 uni6592 zincata	
18	110021102			
19	0121003		rond.spec.d=4,3x12sp1,5 u6593 zincata	
20	131220094			
21	131220093			
22	131220092			
23	0477004		ingrassatore hydraulic 273-a 6ma	
24	131220187			
25	0379029		bussola guida 18x26x16 din179	
26	0127001		rond.piana d=17 uni6592 zincata	
27	0141015		rond.di sic.zig.schnorr"s" 17x24x1.3 brunita	
28	110007023			

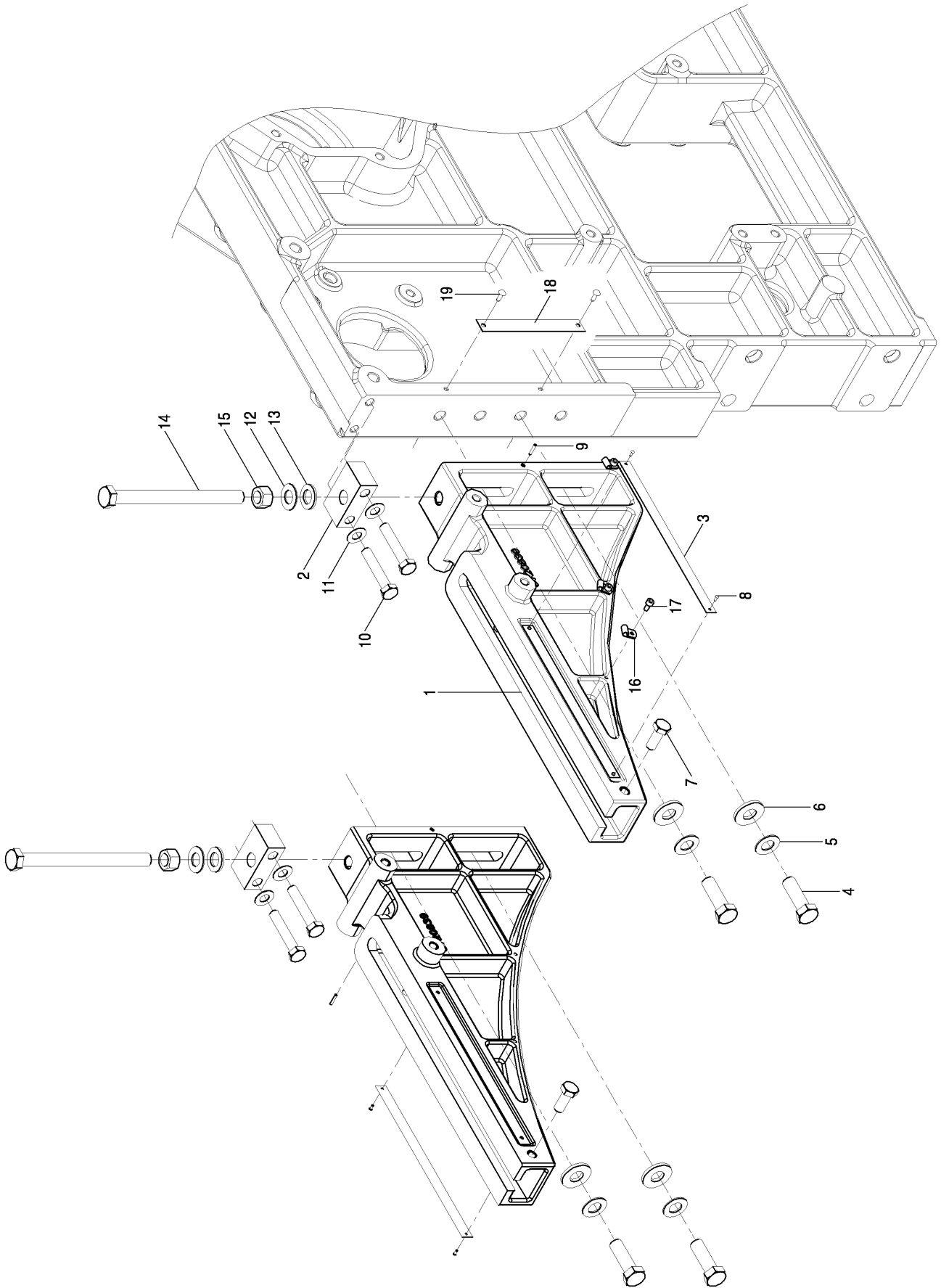
A9500	LEFT SIDE SUPPORT FOR PBC UPPER BEAM	AA230-00
	Valid lots from to	01/09/2015



A9500	LEFT SIDE SUPPORT FOR PBC UPPER BEAM		AA230-00
	Valid lots from to		01/09/2015

Pos.	Code	Widths	Remarks	Lots
1	110025056			
2	0155001		rond.di sic.zig.schnorr"s" 13x18x1,1 brunita	
3	2624228			
4	0477004		ingrassatore hydraulic 273-a 6ma	
5	2143038			
6	2141018			
7	2101034			
8	9180217			
9	VV18064		vite tspei m12x60 uni5933 cl10.9 zincata	
10	131220110			
11	LEPL052			
12	131240060			
13	2151008			
14	2143040			
15	9180218			
16	2148104			
17	131220185			
18	2148104			
19	0127002		rond.spec.d=17x38x4 ferro zincata	
20	110017036			
21	131220159			
22	0125001		rond.piana d=13 uni6592 zincata	
23	110015024			
24	2140206			
25	110439052			

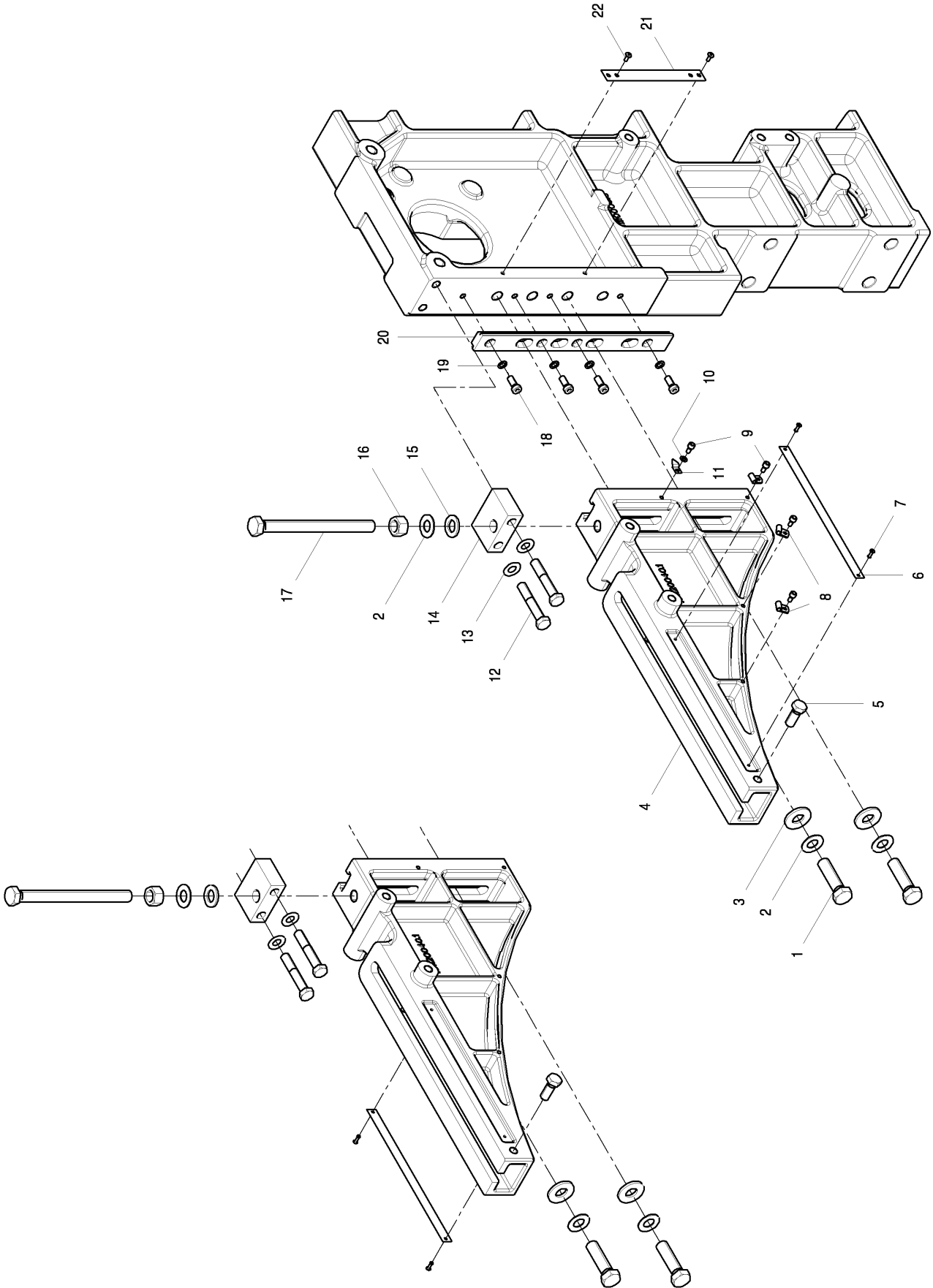
A9500	SUPPORTS FOR DRIVEN BACKREST	BA001-00
	Valid lots from to	06/10/2015



A9500	SUPPORTS FOR DRIVEN BACKREST		BA001-00
	Valid lots from to		06/10/2015

Pos.	Code	Widths	Remarks	Lots
1	131120040			
2	131120041			
3	HD4024A			
4	110017028			
5	VM11057		molla tazza din.2093 31,5x16,3x 1,75	
6	VR17035		rondella piana special.de.38x17x4 zn.	
7	110015021			
8	VR13503		rivetto a strappo uni9200-a 3x10 p-almg	
9	VS11071		spina elastica m3x16 din1481	
10	110005027			
11	VM11046		molla tazza din.2093 25x12,2x 0,9	
12	VM11057		molla tazza din.2093 31,5x16,3x 1,75	
13	VR14125		rond.bisell.d.17 din1440 zincata	
14	VV14656		vite te m16x190 uni5739 cl8.8 zincata	
15	110107009			
16	C9C1238			
17	110021112			
18	131110088			
19	VR13530		rivetto a strappo uni9200-a 4x10 p-almg	

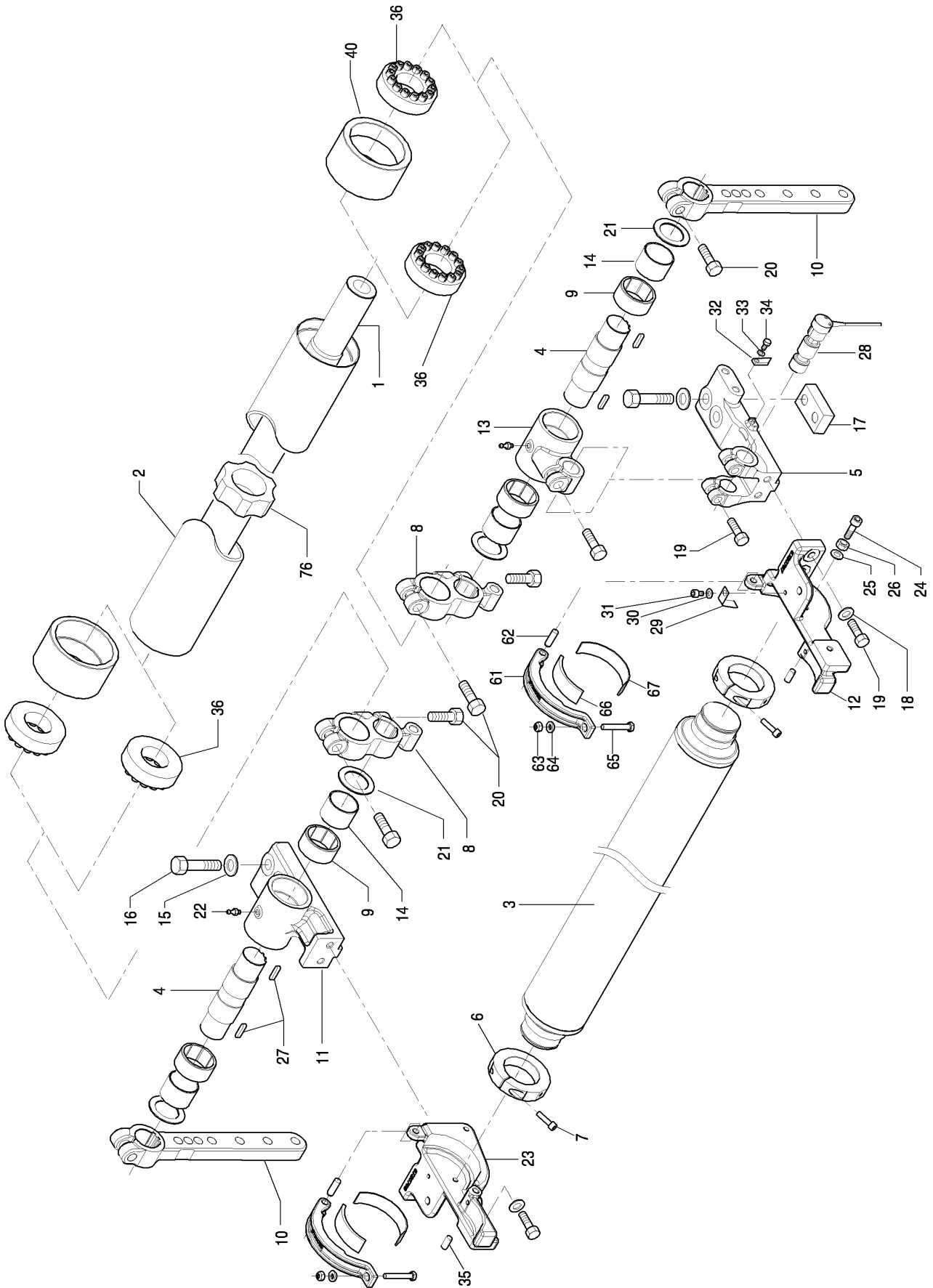
A9500	SUPPORTS FOR DRIVEN BACKREST	BA001-01
	Valid lots from YE07 to	01/10/2015



A9500	SUPPORTS FOR DRIVEN BACKREST			BA001-01
	Valid lots from YE07 to			01/10/2015

Pos.	Code	Widths	Remarks	Lots
1	110017030			
2	VM11057		molla tazza din.2093 31,5x16,3x 1,75	
3	0127002		rond.spec.d=17x38x4 ferro zincata	
4	131120126			
5	110015021			
6	HD4024A			
7	VR13503		rivetto a strappo uni9200-a 3x10 p-almg	
8	C9C1238			
9	110021112			
10	0141002		molla a tazza 10x5,2x0,5 din2093	
11	131120125			
12	110005028			
13	VM11046		molla tazza din.2093 25x12,2x 0,9	
14	131120124			
15	0127001		rond.piana d=17 uni6592 zincata	
16	110107009			
17	VV14656		vite te m16x190 uni5739 cl8.8 zincata	
18	VV17142		vite tcei m8x20 u9327 c12.9 brunita	
19	0143008		rond.di sic.zig.schnorr"s" 8.4x13x0,8 brunita	
20	131120121			
21	131110190			
22	VR13530		rivetto a strappo uni9200-a 4x10 p-almg	

A9500	DRIVEN BACKREST FOR THE SIMPLE BEAM - CYKINDERS BLOCKED	BA005-00
	Valid lots from to	06/10/2015



A9500	DRIVEN BACKREST FOR THE SIMPLE BEAM - CYKINDERS BLOCKED		BA005-00
	Valid lots from to		06/10/2015

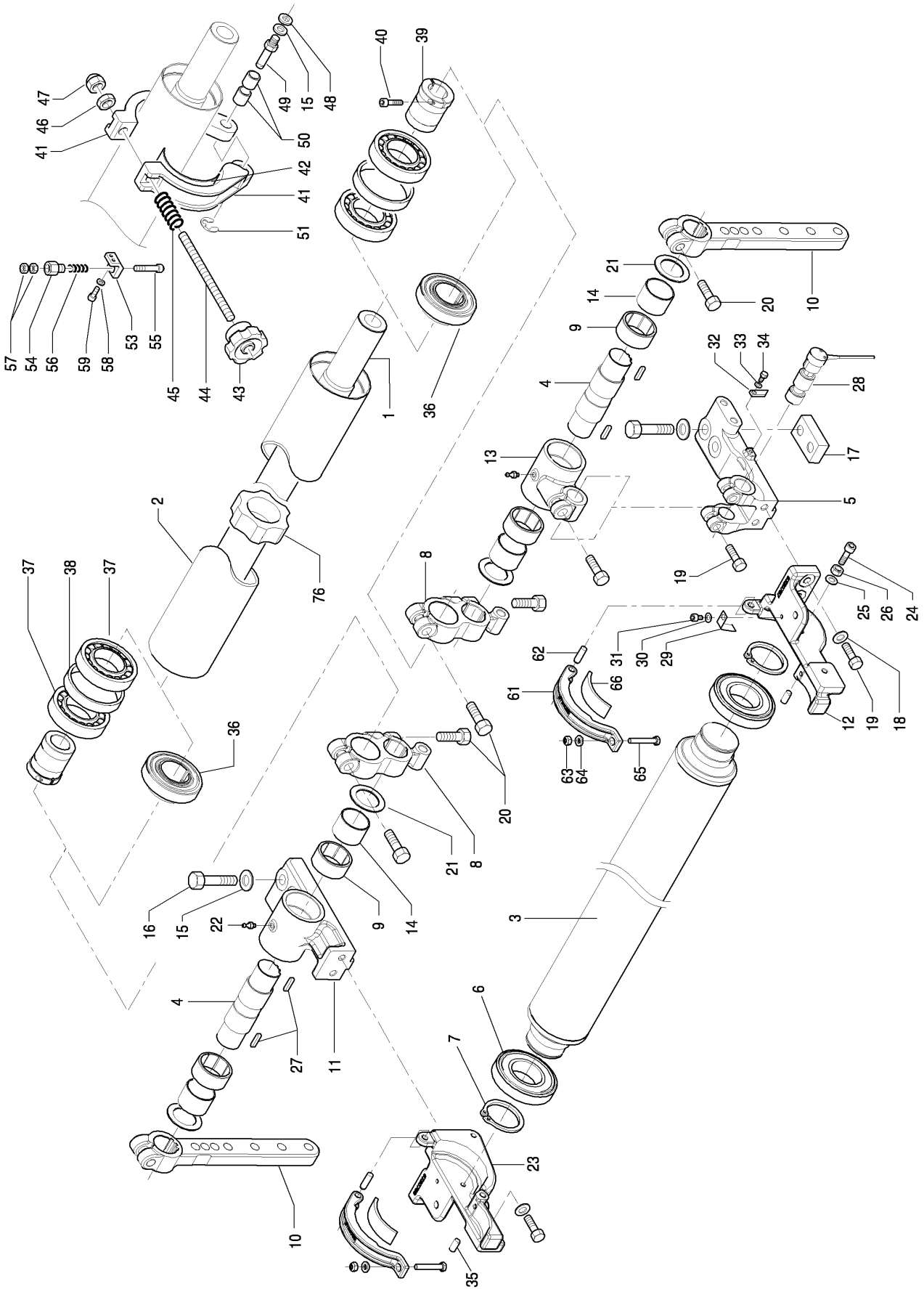
Pos.	Code	Widths	Remarks	Lots
1	131120004	1900		
1	131120005	2100		
1	131120006	2200		
1	131120007	2300		
1	131120008	2600		
1	131120009	2800		
1	131120010	3000		
1	131120011	3200		
1	131120012	3400		
1	131120013	3600		
2	131120067	1900	Valid parts just for 105 diam. back roller.	
2	131120068	2100	Valid parts just for 105 diam. back roller.	
2	131120069	2200	Valid parts just for 105 diam. back roller.	
2	131120070	2300	Valid parts just for 105 diam. back roller.	
2	131120071	2600	Valid parts just for 136 diam. back roller.	
2	131120072	2800	Valid parts just for 136 diam. back roller.	
2	131120073	3000	Valid parts just for 136 diam. back roller.	
2	131120074	3200	Valid parts just for 136 diam. back roller.	
2	131120075	3400	Valid parts just for 136 diam. back roller.	
2	131120076	3600	Valid parts just for 136 diam. back roller.	
3	191120047	1900		
3	191120048	2100		
3	191120049	2200		
3	191120050	2300		
3	191120051	2600		
3	191120052	2800		
3	191120053	3000		
3	191120054	3200		
3	191120055	3400		
3	191120056	3600		
4	QES9082			
5	QES9075			
6	QES9139			
7	VV16216		vite tcei m8x30-12.9 iso4762 brunita	
8	QES9078			
9	0375027		anello inter.bocc.rull.jr 45x50x35	
10	QES9124			
11	QES9079			
12	QES9080			
13	QES9076			
14	QES9052			
15	VM11057		molla tazza din.2093 31,5x16,3x 1,75	
16	0017021		vite te m16x70 u5739 cl8.8 zincata	
17	QES9058			
18	VM11046		molla tazza din.2093 25x12,2x 0,9	
19	0005012		vite te m12x40 u5737 cl8.8 zincata	
20	0017014		vite te m16x50 u5739 cl.8.8 zincata	
21	QES922A			
22	VJ13505		ingrassatore ama tipo 278a-m8	
23	QES9081			
24	VV16092		vite tcei m10x30 uni5931 cl8.8 zincata	
25	VM11036		molla tazza din.2093 20x10,2x 0,8	
26	VD13023		dado esag. m 10 uni5588 cl.8 zincato	
27	VL11057		linguetta inc.rt.din 6885 6x6x28	
28	A2EN65A			

A9500	DRIVEN BACKREST FOR THE SIMPLE BEAM - CYKINDERS BLOCKED	BA005-00
	Valid lots from to	06/10/2015

Pos.	Code	Widths	Remarks	Lots
29	QES9059			
30	VM11022		molla a tazza din.2093 15x8.2x0.7	
31	VV16191		vite tcei m8x10 iso4762 cl8.8 zincata	
32	QES9112			
33	VM11016		molla tazza din.2093 12,5x 6,2x 0,5	
34	0012001		vite te m6x12 uni5739 cl8.8 zincata	
35	VS1029Z		spina uni iso 8734 -10x24 - a - st	
36	0277001		unità di bloccaggio tollok tlk 200 50x100 * Valid parts just for 136 diam. back roller.	
40	QES9168		Valid parts just for 136 diam. back roller.	
52	VM11057		molla tazza din.2093 31,5x16,3x 1,75	
61	QES9132			
62	VS10299		spina cilin.tem.din.6325 10 m6 x 32	
63	0113011		dado autofrenante m8 din985-10	
64	0123016		rond.spec.d=8,4x17x3 zincata	
65	VV1456A		vite te m8x50 uni5739 cl10.9 brunito	
66	131120096			
67	QES9141			
76	QES9027	1700÷2300		
76	QES9026	2600÷4000		

A9500		
-------	--	--

A9500	DRIVEN BACKREST FOR THE SIMPLE BEAM - ROTATING CYKINDERS	BA007-00
	Valid lots from YA01 to YD08	06/10/2015



A9500	DRIVEN BACKREST FOR THE SIMPLE BEAM - ROTATING CYKINDERS		BA007-00
	Valid lots from YA01 to YD08		06/10/2015

Pos.	Code	Widths	Remarks	Lots
1	131120004	1900		
1	131120005	2100		
1	131120006	2200		
1	131120007	2300		
1	131120008	2600		
1	131120009	2800		
1	131120012	3400		
1	131120013	3600		
2	131120017	1900	Valid parts just for 105 diam. back roller.	
2	131120018	2100	Valid parts just for 105 diam. back roller.	
2	131120019	2200	Valid parts just for 105 diam. back roller.	
2	131120020	2300	Valid parts just for 105 diam. back roller.	
2	131120101	2600	Valid parts just for 136 diam. back roller.	
2	131120102	2800	Valid parts just for 136 diam. back roller.	
2	131120103	3400	Valid parts just for 136 diam. back roller.	
2	131120104	3600	Valid parts just for 136 diam. back roller.	
3	191120000	1900		
3	191120002	2100		
3	191120004	2200		
3	191120001	2300		
3	191120009	3400		
3	191120010	3600		
4	QES9082			
5	QES9075			
6	QAS9013			
7	VA10556		anello elastico per alberi d=65 din471	
8	QES9078			
9	0375027		anello inter.bocc.rull.jr 45x50x35	
10	QES9124			
11	QES9079			
12	QES9080			
13	QES9076			
14	QES9052			
15	VM11057		molla tazza din.2093 31,5x16,3x 1,75	
16	0017021		vite te m16x70 u5739 cl8.8 zincata	
17	QES9058			
18	VM11046		molla tazza din.2093 25x12,2x 0,9	
19	0005012		vite te m12x40 u5737 cl8.8 zincata	
20	0017014		vite te m16x50 u5739 cl.8.8 zincata	
21	QES922A			
22	VJ13505		ingrassatore ama tipo 278a-m8	
23	QES9081			
24	VV16092		vite tcei m10x30 uni5931 cl8.8 zincata	
25	VM11036		molla tazza din.2093 20x10,2x 0,8	
26	VD13023		dado esag. m 10 uni5588 cl.8 zincato	
27	VL11057		linguetta inc.rt.din 6885 6x6x28	
28	A2EN65A			
29	QES9059			
30	VM11022		molla a tazza din.2093 15x8.2x0.7	
31	VV16191		vite tcei m8x10 iso4762 cl8.8 zincata	
32	QES9112			
33	VM11016		molla tazza din.2093 12,5x 6,2x 0,5	
34	0012001		vite te m6x12 uni5739 cl8.8 zincata	
35	VS1029Z		spina uni iso 8734 -10x24 - a - st	
36	2691657		Valid parts just for 105 diam. back roller.	

A9500	DRIVEN BACKREST FOR THE SIMPLE BEAM - ROTATING CYKINDERS	BA007-00
	Valid lots from YA01 to YD08	06/10/2015

Pos.	Code	Widths	Remarks	Lots
37	ECS0624		cus.c.rad.rigido a sfera 6214-2rs * Valid parts just for 136 diam. back roller.	
38	QES925A		Valid parts just for 136 diam. back roller.	
39	QES9022		Valid parts just for 136 diam. back roller.	
40	VV16355		vite tcei m6x30-12.9 iso4762 brunita * Valid parts just for 136 diam. back roller.	
41	HL7048A		Valid parts just for 105 diam. back roller.	
41	HL7049A		Valid parts just for 136 diam. back roller.	
42	QES9131		Valid parts just for 105 diam. back roller.	
42	EDQ011B		Valid parts just for 136 diam. back roller.	
43	ADQF01A			
44	EDQ019B			
45	EMF002A			
46	VD11008		dado esagonale basso din.936 m 12 zn.	
47	VD14010		dado es.autoblocc.din.985 m12 zn.	
48	VR14700		rondella din 125 d. 17 zn.	
49	QES92SA			
50	HL7004A			
51	VA11114		anello d'arr.benzing din.6799 d.12	
52	VM11057		molla tazza din.2093 31,5x16,3x 1,75	
53	HL7047A			
54	HS9277B			
55	HS9278B			
56	HS9342A			
57	VD13010		dado esag. m 5 uni5588 cl.8 zincato	
58	VM11004		molla tazza din.2093 8x 4,2x 0,4	
59	VV16015		vite tcei m4x12 iso4762 cl8.8 zincata	
61	QES9132			
62	VS10299		spina cilin.tem.din.6325 10 m6 x 32	
63	0113011		dado autofrenante m8 din985-10	
64	0123016		rond.spec.d=8,4x17x3 zincata	
65	VV1456A		vite te m8x50 uni5739 cl10.9 brunito	
66	131120096			
76	QES9027	1700÷2300		
76	QES9026	2600÷4000		

A9500		
-------	--	--

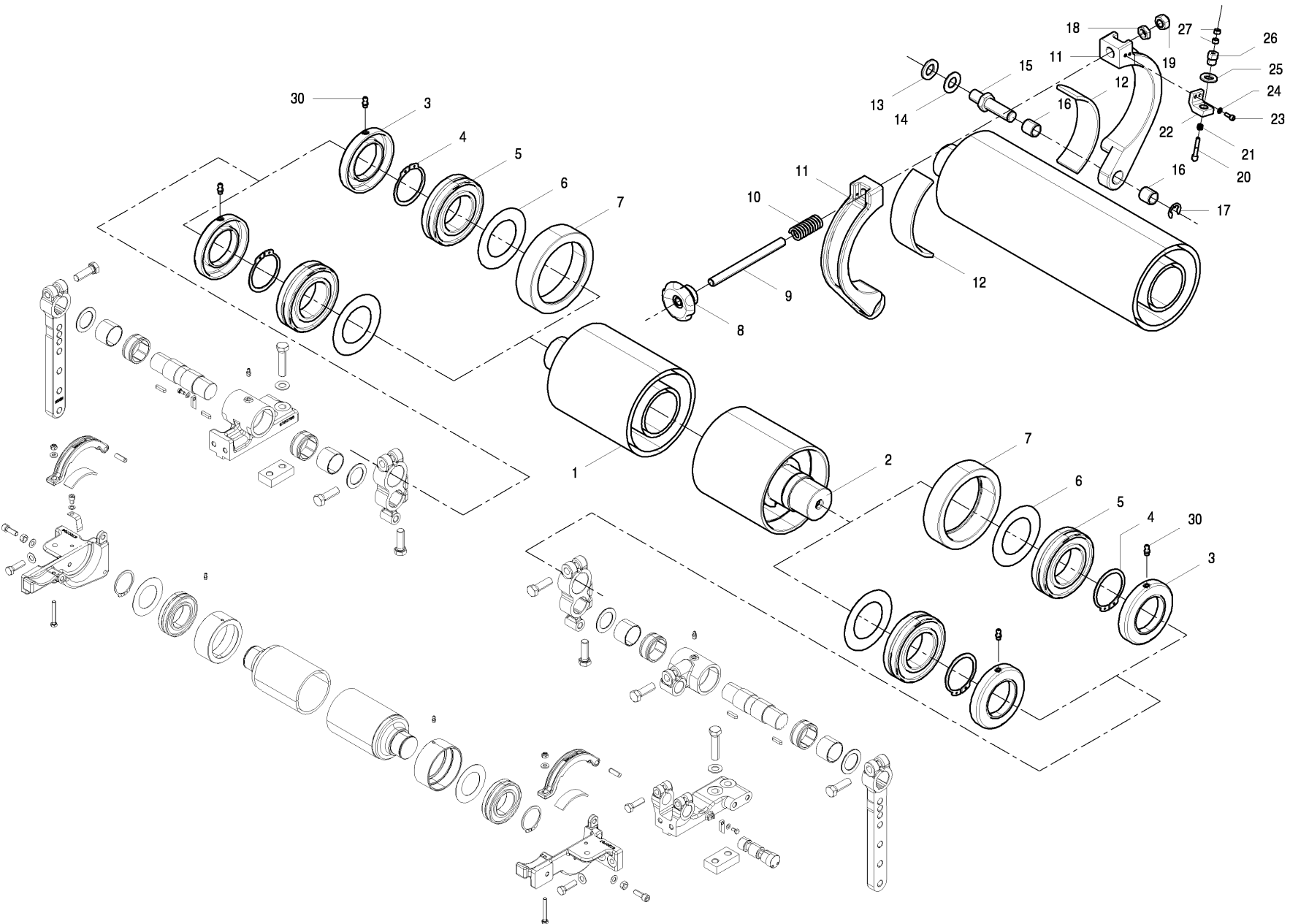
A9500

DRIVEN BACKREST FOR THE SIMPLE BEAM - ROTATING
CYKINDERS - PART. 1

BA008-00

Valid lots from YD09 to

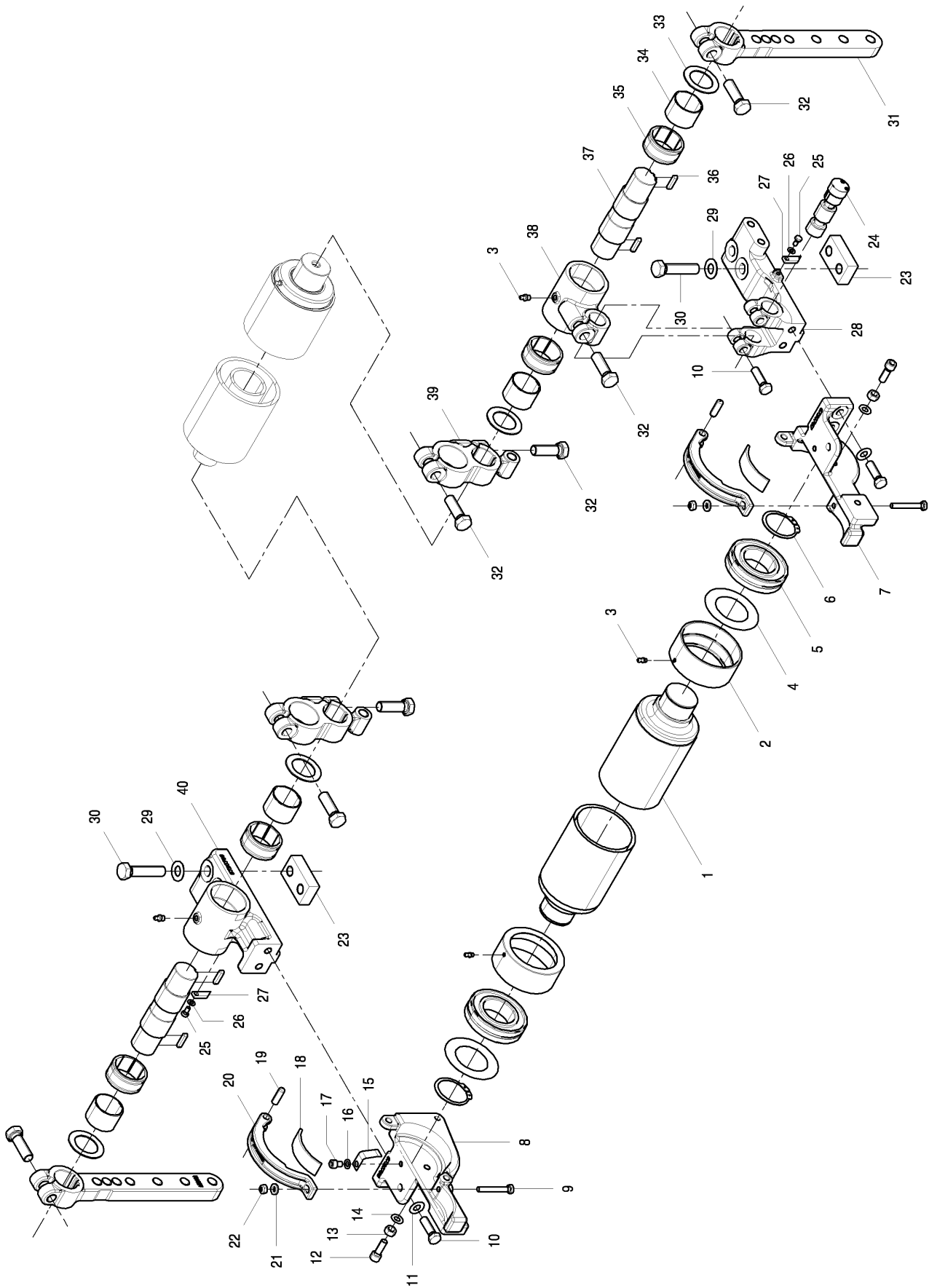
05/11/2015



A9500	DRIVEN BACKREST FOR THE SIMPLE BEAM - ROTATING CYKINDERS - PART. 1		BA008-00
	Valid lots from YD09 to		05/11/2015

Pos.	Code	Widths	Remarks	Lots
1	131120130	1900	Valid parts just for 108 diam. Back roller.	
1	131120131	2100	Valid parts just for 108 diam. Back roller.	
1	131120189	2200	Valid parts just for 108 diam. Back roller.	
1	131120132	2300	Valid parts just for 108 diam. Back roller.	
1	131120133	2600	Valid parts just for 136 diam. back roller.	
1	131120134	2800	Valid parts just for 136 diam. back roller.	
1	131120175	3000	Valid parts just for 136 diam. back roller.	
1	131120179	3200	Valid parts just for 136 diam. back roller.	
1	131120135	3400	Valid parts just for 136 diam. back roller.	
1	131120136	3600	Valid parts just for 136 diam. back roller.	
2	191120203	1900		
2	191120204	2100		
2	191120248	2200		
2	191120205	2300		
2	191120206	2600		
2	191120207	2800		
2	191120213	3000		
2	191120215	3200		
2	191120208	3400		
2	191120209	3600		
3	131120146			
4	0189010		anello elastico per alberi d=55 din471	
5	110309099			
6	131120147			
7	131120145		Valid parts just for 136 diam. back roller.	
8	ADQF01A			
9	EDQ019B			
10	EMF002A			
11	HL7048A			
12	QES9131			
13	0127001		rond.piana d=17 uni6592 zincata	
14	VM11057		molla tazza din.2093 31,5x16,3x 1,75	
15	QES92SA			
16	HL7004A			
17	VA11114		anello d'arr.benzing din.6799 d.12	
18	110105015			
19	VD14010		dado es.autoblocc.din.985 m12 zn.	
20	HS9278B			
21	HS9342A			
22	HL7047A			
23	0021039		vite tcei m4x12-8.8 iso4762 brunita	
24	VM11004		molla tazza din.2093 8x 4,2x 0,4	
25	0125001		rond.piana d=13 uni6592 zincata	
26	HS9277B			
27	110101020			
30	0477004		ingrassatore hydraulic 273-a 6ma	

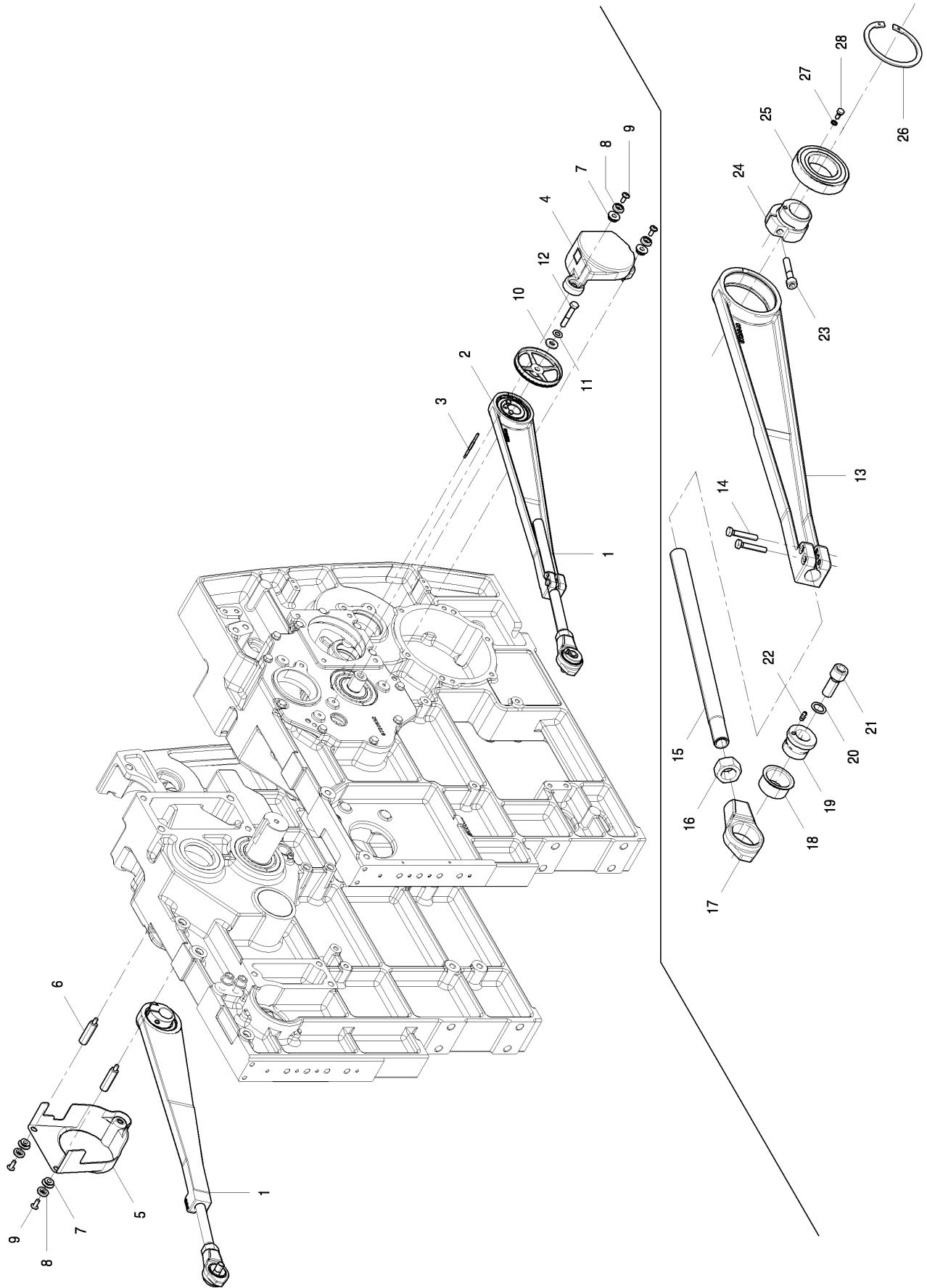
A9500	DRIVEN BACKREST FOR THE SIMPLE BEAM - ROTATING CYKINDERS - PART. 2	BA009-00
	Valid lots from YD09 to	05/11/2015



A9500	DRIVEN BACKREST FOR THE SIMPLE BEAM - ROTATING CYKINDERS - PART. 2		BA009-00
	Valid lots from YD09 to		05/11/2015

Pos.	Code	Widths	Remarks	Lots
1	191120196	1900	Valid parts just for 108 diam. Back roller.	
1	191120197	2100	Valid parts just for 108 diam. Back roller.	
1	191120249	2200	Valid parts just for 108 diam. Back roller.	
1	191120198	2300	Valid parts just for 108 diam. Back roller.	
1	191120051	2600	Valid parts just for 136 diam. back roller.	
1	191120052	2800	Valid parts just for 136 diam. back roller.	
1	191120053	3000	Valid parts just for 136 diam. back roller.	
1	191120054	3200	Valid parts just for 136 diam. back roller.	
1	191120055	3400	Valid parts just for 136 diam. back roller.	
1	191120056	3600	Valid parts just for 136 diam. back roller.	
2	131120148			
3	0477004		ingrassatore hydraulic 273-a 6ma	
4	131120147			
5	110309099			
6	0189010		anello elastico per alberi d=55 din471	
7	QES9080			
8	QES9081			
9	110013013			
10	110015023			
11	VM11046		molla tazza din.2093 25x12,2x 0,9	
12	110024054			
13	110104007			
14	VM11036		molla tazza din.2093 20x10,2x 0,8	
15	QES9059			
16	VM11022		molla a tazza din.2093 15x8.2x0.7	
17	110023073			
18	131120096			
19	VS10299		spina cilin.tem.din.6325 10 m6 x 32	
20	QES9132			
21	0123016		rond.spec.d=8,4x17x3 zincata	
22	0113011		dado autofrenante m8 din985-10	
23	QES9058			
24	A2EN65A			
25	110012027			
26	VM11016		molla tazza din.2093 12,5x 6,2x 0,5	
27	QES9112			
28	QES9075			
29	VM11057		molla tazza din.2093 31,5x16,3x 1,75	
30	110017032			
31	QES9124			
32	110017028			
33	QES922A			
34	0375027		anello inter.bocc.rull.jr 45x50x35	
35	QES9052			
36	VL11057		linguetta inc.rt.din 6885 6x6x28	
37	QES9082			
38	QES9076			
39	QES9078			
40	QES9079			

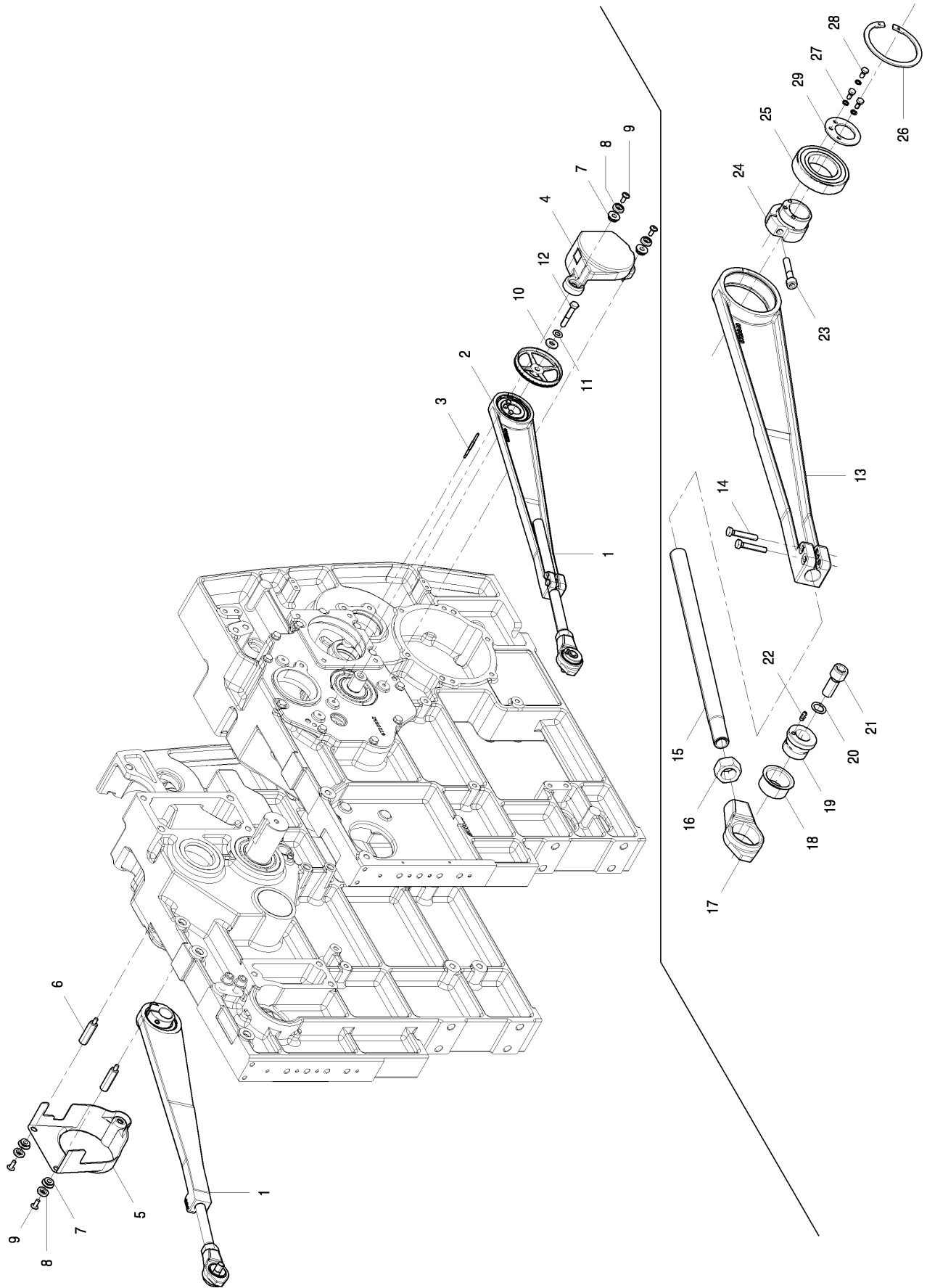
A9500	MECHANICAL DRIVE FOR DRIVEN BACKREST	BA010-00
	Valid lots from to YC12	22/02/2017



A9500	MECHANICAL DRIVE FOR DRIVEN BACKREST		BA010-00
	Valid lots from to YC12		22/02/2017

Pos.	Code	Widths	Remarks	Lots
1	191120028			
2	131160048			
3	VS1025C		spina cilin.tem.din.6325 4 m6 x 50	
4	131120080			
5	131120079			
6	131110136			
7	HDP077A			
8	2558264			
9	0023049		vite tcei con flang.m8x20 cl.10,9 brunita	
10	VR17022		rondelle piane special.de.30x13x4 zn.	
11	VM11045		molla tazza din.2093 23x12,2x 1,25-262.600.068	
12	0025002		vite tcei m12x40 u5931 c8.8 zincata	
13	131120042			
14	0013009		vite te m8x45 uni5739 cl8.8 zincata	
15	131120043			
16	0109001		dado esag. m24 uni5588 cl.8 zincato	
17	131120045			
18	2148040			
19	QES9122			
20	0141015		rond.di sic.zig.schnorr"s" 17x24x1.3 brunita	
21	0027010		vite tcei m16x40-12.9 iso4762 brunita	
22	0477004		ingrassatore hydraulic 273-a 6ma	
23	VV16220		vite tcei m10x50-12.9 iso4762 brunita	
24	131120044			
25	0309034		cuscinet.6210-2rs c3 sfere 50x90x20	
26	0199001		anello elastico di sic.per fori d=95 uni7437din472	
27	VM11016		molla tazza din.2093 12,5x 6,2x 0,5	
28	0022001		vite tcei m6x10 u5931 cl8.8 zincata	

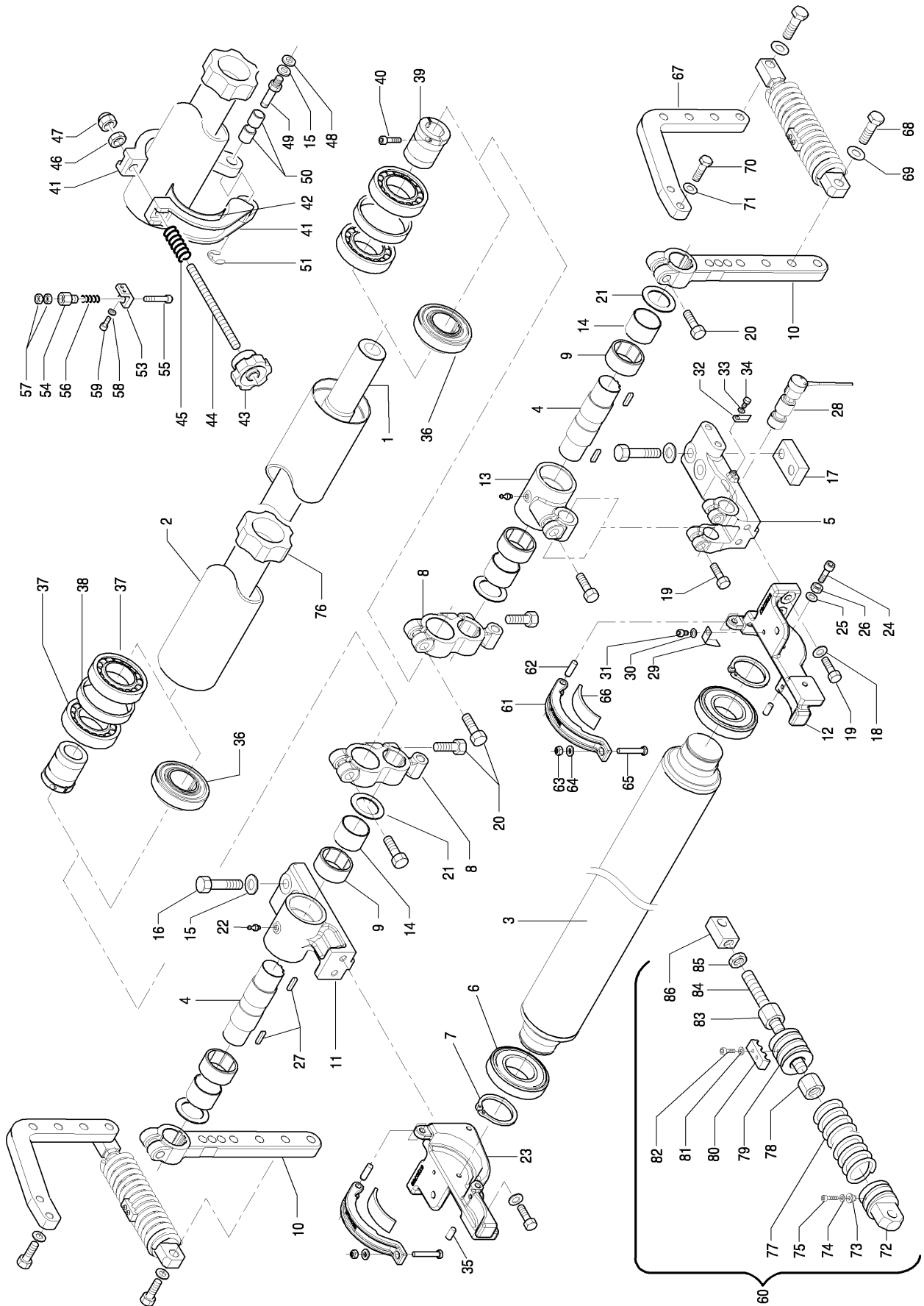
A9500	MECHANICAL DRIVE FOR DRIVEN BACKREST	BA010-01
	Valid lots from YD01 to	22/02/2017



A9500	MECHANICAL DRIVE FOR DRIVEN BACKREST			BA010-01
	Valid lots from YD01 to			22/02/2017

Pos.	Code	Widths	Remarks	Lots
1	191120028			
2	131160048			
3	VS1025C		spina cilin.tem.din.6325 4 m6 x 50	
4	131120080			
5	131120079			
6	131110136			
7	HDP077A			
8	2558264			
9	0023049		vite tcei con flang.m8x20 cl.10,9 brunita	
10	VR17022		rondelle piane special.de.30x13x4 zn.	
11	VM11045		molla tazza din.2093 23x12,2x 1,25-262.600.068	
12	0025002		vite tcei m12x40 u5931 c8.8 zincata	
13	131120042			
14	110013034			
15	131120043			
16	0109001		dado esag. m24 uni5588 cl.8 zincato	
17	131120045			
18	2148040			
19	QES9122			
20	0141015		rond.di sic.zig.schnorr"s" 17x24x1.3 brunita	
21	0027010		vite tcei m16x40-12.9 iso4762 brunita	
22	0477004		ingrassatore hydraulic 273-a 6ma	
23	VV16220		vite tcei m10x50-12.9 iso4762 brunita	
24	131120044			
25	0309034		cuscinet.6210-2rs c3 sfere 50x90x20	
26	0199001		anello elastico di sic.per fori d=95 uni7437din472	
27	0142011		rond.di sic.zig.schnorr"s" 6.4x10x0.7 brunita	
28	110012027			
29	131120123			

A9500	ELASTIC BACKREST WITH TWO ROLLERS FOR SIMPLE BEAM	BA015-00
	Valid lots from to	06/10/2015



A9500	ELASTIC BACKREST WITH TWO ROLLERS FOR SIMPLE BEAM		BA015-00
	Valid lots from to		06/10/2015

Pos.	Code	Widths	Remarks	Lots
1	131120004	1900		
1	131120005	2100		
1	131120006	2200		
1	131120007	2300		
1	131120008	2600		
1	131120009	2800		
1	131120012	3400		
1	131120013	3600		
2	131120017	1900	Valid parts just for 105 diam. back roller.	
2	131120018	2100	Valid parts just for 105 diam. back roller.	
2	131120019	2200	Valid parts just for 105 diam. back roller.	
2	131120020	2300	Valid parts just for 105 diam. back roller.	
2	131120101	2600	Valid parts just for 136 diam. back roller.	
2	131120102	2800	Valid parts just for 136 diam. back roller.	
2	131120103	3400	Valid parts just for 136 diam. back roller.	
2	131120104	3600	Valid parts just for 136 diam. back roller.	
3	191120000	1900		
3	191120002	2100		
3	191120004	2200		
3	191120001	2300		
3	191120005	2600		
3	191120006	2800		
3	191120009	3400		
3	191120010	3600		
4	QES9082			
5	QES9075			
6	QAS9013			
7	VA10556		anello elastico per alberi d=65 din471	
8	QES9078			
9	0375027		anello inter.bocc.rull.jr 45x50x35	
10	QES9124			
11	QES9079			
12	QES9080			
13	QES9076			
14	QES9052			
15	VM11057		molla tazza din.2093 31,5x16,3x 1,75	
16	0017021		vite te m16x70 u5739 cl8.8 zincata	
17	QES9058			
18	VM11046		molla tazza din.2093 25x12,2x 0,9	
19	0005012		vite te m12x40 u5737 cl8.8 zincata	
20	0017014		vite te m16x50 u5739 cl.8.8 zincata	
21	QES922A			
22	VJ13505		ingrassatore ama tipo 278a-m8	
23	QES9081			
24	VV16092		vite tcei m10x30 uni5931 cl8.8 zincata	
25	VM11036		molla tazza din.2093 20x10,2x 0,8	
26	VD13023		dado esag. m 10 uni5588 cl.8 zincato	
27	VL11057		linguetta inc.rt.din 6885 6x6x28	
28	A2EN65A			
29	QES9059			
30	VM11022		molla a tazza din.2093 15x8.2x0.7	
31	VV16191		vite tcei m8x10 iso4762 cl8.8 zincata	
32	QES9112			
33	VM11016		molla tazza din.2093 12,5x 6,2x 0,5	
34	0012001		vite te m6x12 uni5739 cl8.8 zincata	

A9500	ELASTIC BACKREST WITH TWO ROLLERS FOR SIMPLE BEAM	BA015-00
	Valid lots from to	06/10/2015

Pos.	Code	Widths	Remarks	Lots
35	VS1029Z		spina uni iso 8734 -10x24 - a - st	
36	2691657		Valid parts just for 105 diam. back roller.	
37	ECS0624		cus.c.rad.rigido a sfere 6214-2rs * Valid parts just for 136 diam. back roller.	
38	QES925A		Valid parts just for 136 diam. back roller.	
39	QES9022		Valid parts just for 136 diam. back roller.	
40	VV16355		vite tcei m6x30-12.9 iso4762 brunita * Valid parts just for 136 diam. back roller.	
41	HL7048A		Valid parts just for 105 diam. back roller.	
41	HL7049A		Valid parts just for 136 diam. back roller.	
42	QES9131		Valid parts just for 105 diam. back roller.	
42	EDQ011B		Valid parts just for 136 diam. back roller.	
43	ADQF01A			
44	EDQ019B			
45	EMF002A			
46	VD11008		dado esagonale basso din.936 m 12 zn.	
47	VD14010		dado es.autoblocc.din.985 m12 zn.	
48	VR14700		rondella din 125 d. 17 zn.	
49	QES92SA			
50	HL7004A			
51	VA11114		anello d'arr.benzing din.6799 d.12	
52	VM11057		molla tazza din.2093 31,5x16,3x 1,75	
53	HL7047A			
54	HS9277B			
55	HS9278B			
56	HS9342A			
57	VD13010		dado esag. m 5 uni5588 cl.8 zincato	
58	VM11004		molla tazza din.2093 8x 4,2x 0,4	
59	VV16015		vite tcei m4x12 iso4762 cl8.8 zincata	
60	BS92B7C			
61	QES9132			
62	VS10299		spina cilin.tem.din.6325 10 m6 x 32	
63	0113011		dado autofrenante m8 din985-10	
64	0123016		rond.spec.d=8,4x17x3 zincata	
65	VV1456A		vite te m8x50 uni5739 cl10.9 brunito	
66	131120096			
67	QES9054			
68	0017004		vite te m16x45 u5739 cl8.8 zincata	
69	VM11057		molla tazza din.2093 31,5x16,3x 1,75	
70	0005012		vite te m12x40 u5737 cl8.8 zincata	
71	VM11046		molla tazza din.2093 25x12,2x 0,9	
72	HS9297A			
73	HS9259A			
74	VM11009		molla tazza din.2093 10x 5,2x 0,5	
75	0021096		vite tcei m5x18 u5931 cl12.9 brunit	
76	QES9027	1700÷2300		
76	QES9026	2600÷4000		
77	HS9295A			
78	HS9286A			
79	HS9364A			
80	HS9363A			
81	VM11004		molla tazza din.2093 8x 4,2x 0,4	
82	0021005		vite tcei m4x20 u5931 cl8.8 zincata	
83	HS9286A			
84	HDQ044A			

A9500	ELASTIC BACKREST WITH TWO ROLLERS FOR SIMPLE BEAM		BA015-00
	Valid lots from to		06/10/2015

Pos.	Code	Widths	Remarks	Lots
------	------	--------	---------	------

85	VD11010		dado esag.basso m16 din936a zincato	
86	HS9285A			

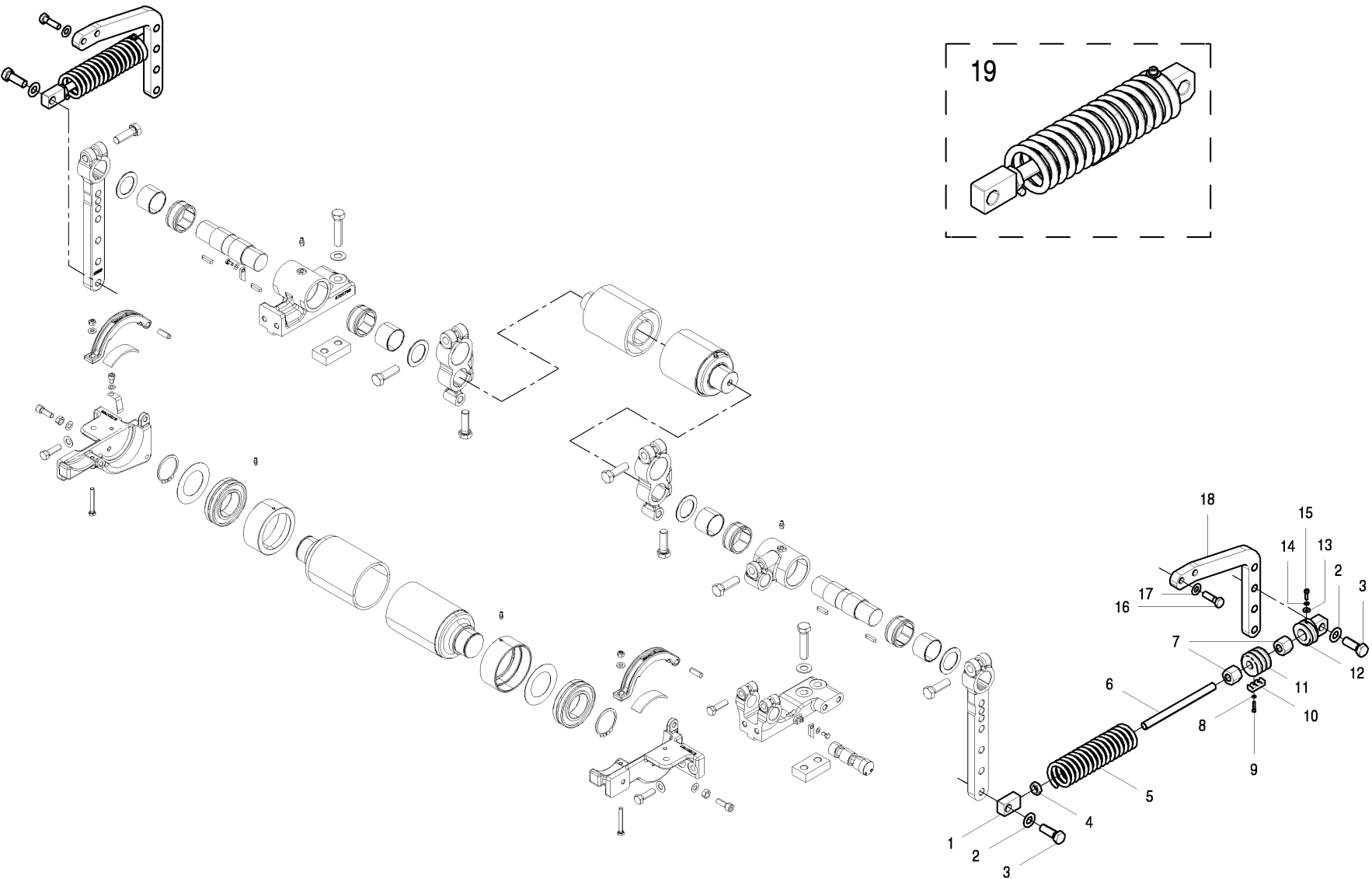
A9500

ELASTIC BACKREST WITH TWO ROLLERS FOR SIMPLE BEAM

BA015-01

Valid lots from YE11 to

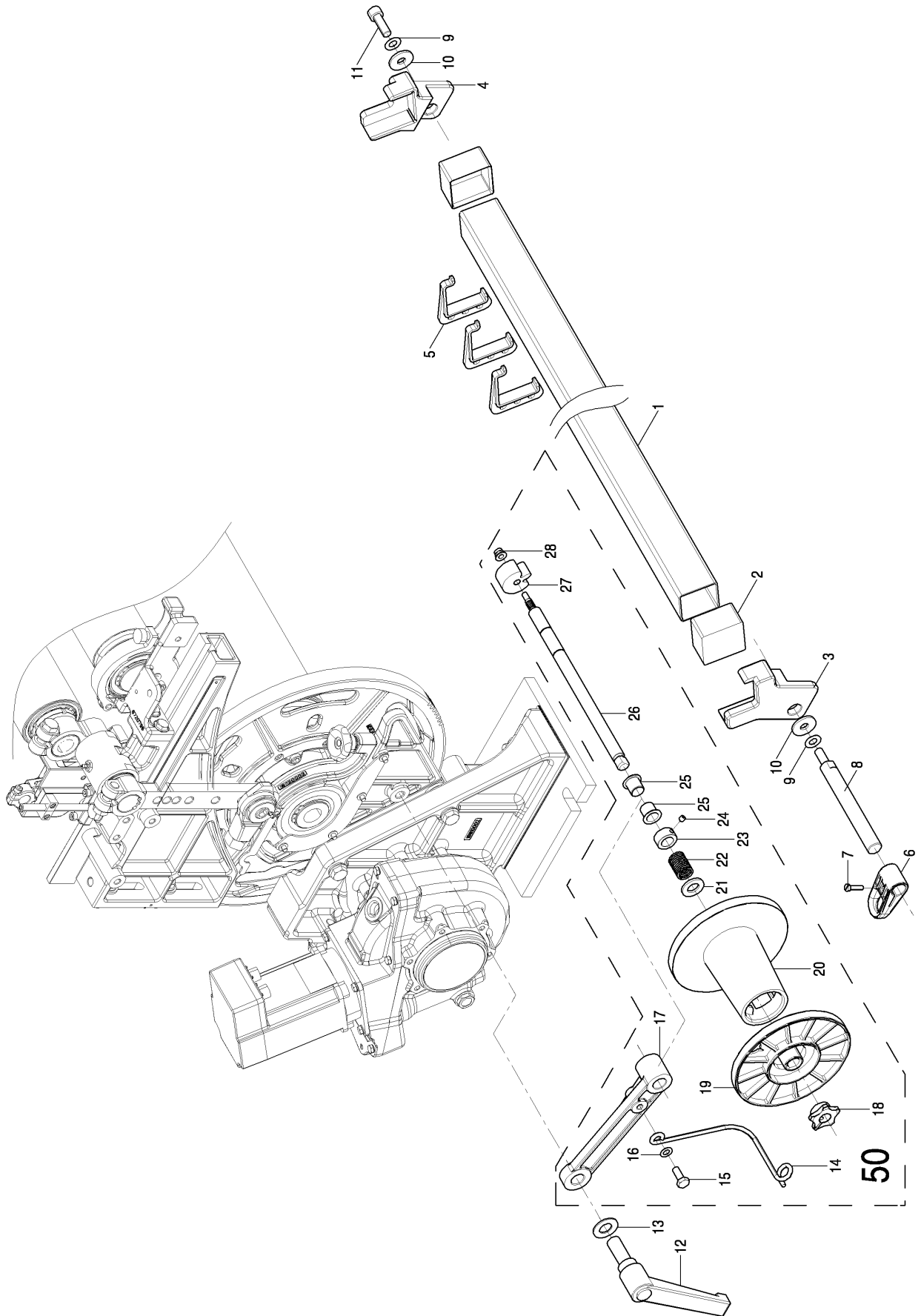
06/11/2015



A9500	ELASTIC BACKREST WITH TWO ROLLERS FOR SIMPLE BEAM	BA015-01
	Valid lots from YE11 to	06/11/2015

Pos.	Code	Widths	Remarks	Lots
1	HS9285A			
2	VM11057		molla tazza din.2093 31,5x16,3x 1,75	
3	0017004		vite te m16x45 u5739 cl8.8 zincata	
4	0107003		dado basso uni5589 m16 cl.8 zincato	
5	HS9295A			
6	HDQ044A			
7	HS9286A			
8	VM11004		molla tazza din.2093 8x 4,2x 0,4	
9	0021005		vite tcei m4x20 u5931 cl8.8 zincata	
10	HS9363A			
11	HS9364A			
12	HS9297A			
13	HS9259A			
14	0141002		molla a tazza 10x5,2x0,5 din2093	
15	0021096		vite tcei m5x18 u5931 cl12.9 brunit	
16	0005012		vite te m12x40 u5737 cl8.8 zincata	
17	VM11046		molla tazza din.2093 25x12,2x 0,9	
18	QES9054			
19	BS92B7C			

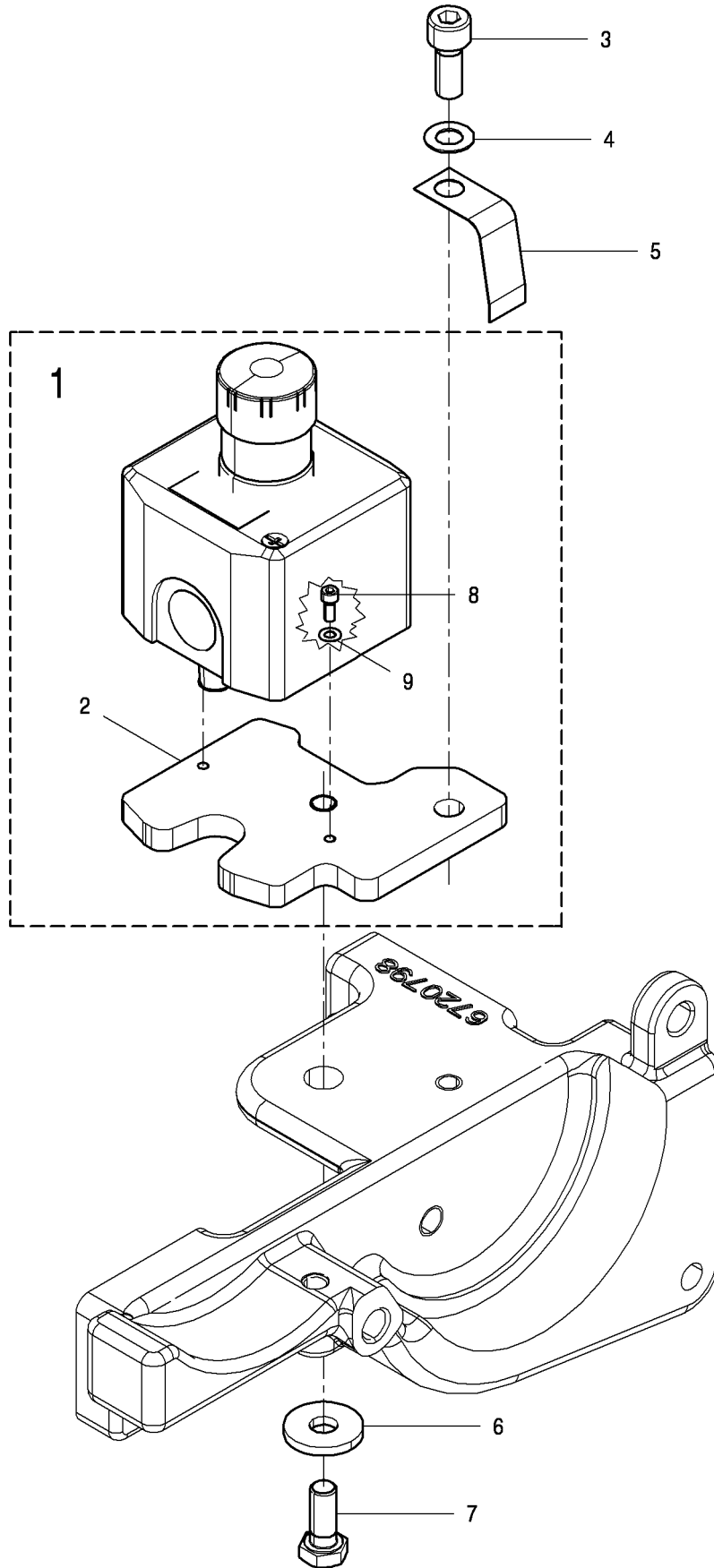
A9500	WARP THREADS RECOVERY DEVICE	BA020-00
	Valid lots from to	06/10/2015



A9500	WARP THREADS RECOVERY DEVICE		BA020-00
	Valid lots from to		06/10/2015

Pos.	Code	Widths	Remarks	Lots
1	131120027	1900		
1	131120028	2100		
1	131120029	2200		
1	131120030	2300		
1	131120031	2600		
1	131120032	2800		
1	131120033	3000		
1	131120034	3200		
1	131120035	3400		
1	131120036	3600		
2	HMQ013A			
3	HL8019A			
4	HL8018A			
5	AMQF09A			
6	2558094			
7	0051013		vite tci m5x20 u6107 cl4.8 zincata	
8	QES9061			
9	VM11036		molla tazza din.2093 20x10,2x 0,8	
10	VR17005		rond.piana din 9021 d.30x10,5x3 zn	
11	0024002		vite tcei m10x30 u5931 c8.8 zincata	
12	110439024			
13	VM11057		molla tazza din.2093 31,5x16,3x 1,75	
14	LEMQ000			
15	0013002		vite te m8x20 uni5739 cl8.8 zincata	
16	VM11022		molla a tazza din.2093 15x8.2x0.7	
17	LEMQ10A			
18	LEMQ16A			
19	EMQ013C			
20	EMQ012C			
21	VR14120		rondella bisell. d.15 din 1440 zn.	
22	EMF067A			
23	LEMQ12A			
24	VV19031		grano m6x6 uni5923 cl.45h zincata	
25	0353002		boccola igus iglidur gfm-1517-17	
26	LEMQ13A			
27	LEMQ15A			
28	0112000		dado autofrenante m6 con flangia liscia u.en 1663	
50	LAMQ09A			

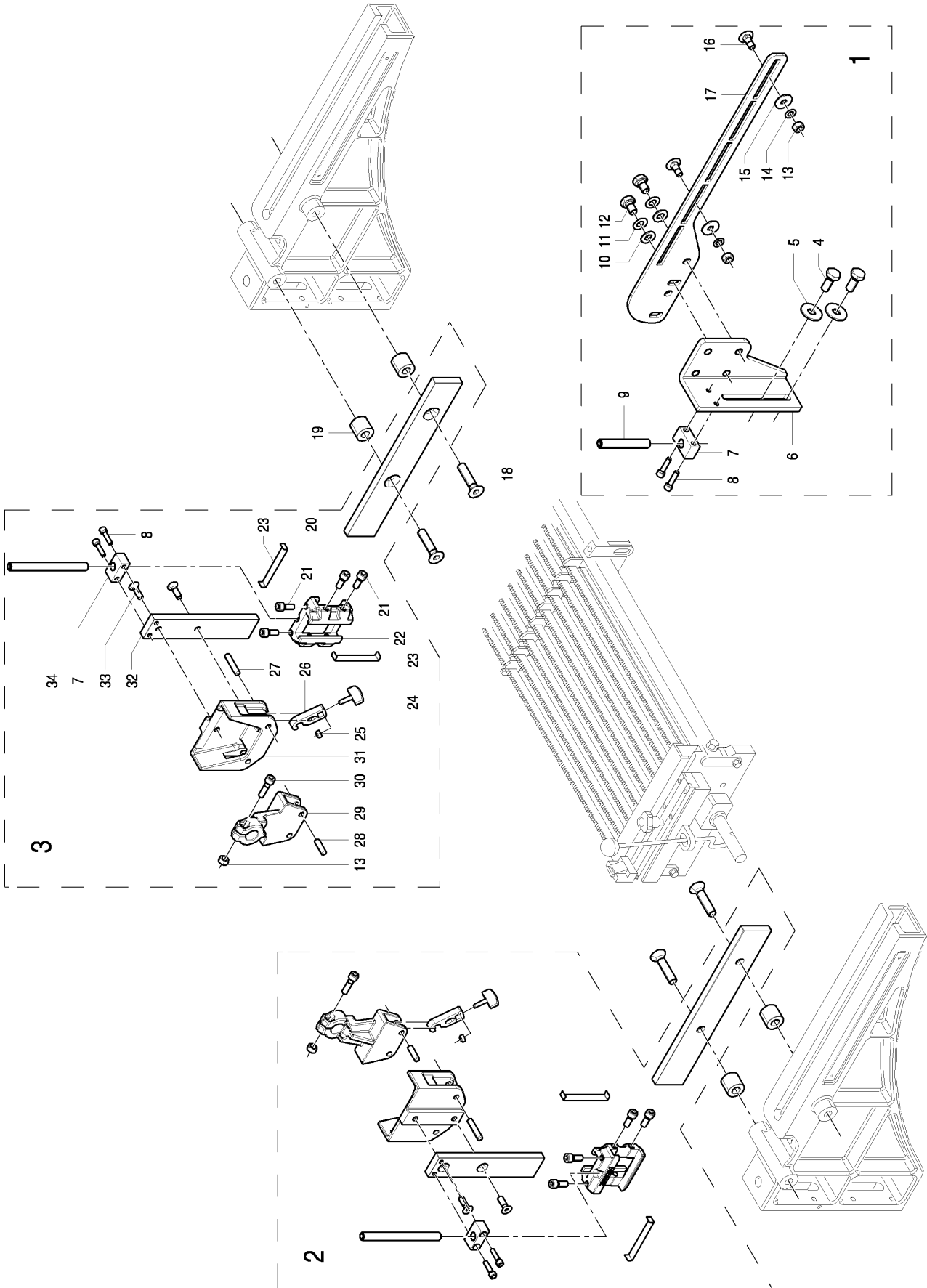
A9500	BACK EMERGENCY PUSHBUTTON	BA030-00
	Valid lots from to	07/09/2016



A9500	BACK EMERGENCY PUSHBUTTON		BA030-00
	Valid lots from to		07/09/2016

Pos.	Code	Widths	Remarks	Lots
1	191180021			
2	131180097			
3	110023075			
4	VM11022		molla a tazza din.2093 15x8.2x0.7	
5	QES9059			
6	VR17105		rond.spec.d8.5x24x3 fer.brunita	
7	110013029			
8	0021039		vite tcei m4x12-8.8 iso4762 brunita	
9	VM11004		molla tazza din.2093 8x 4,2x 0,4	

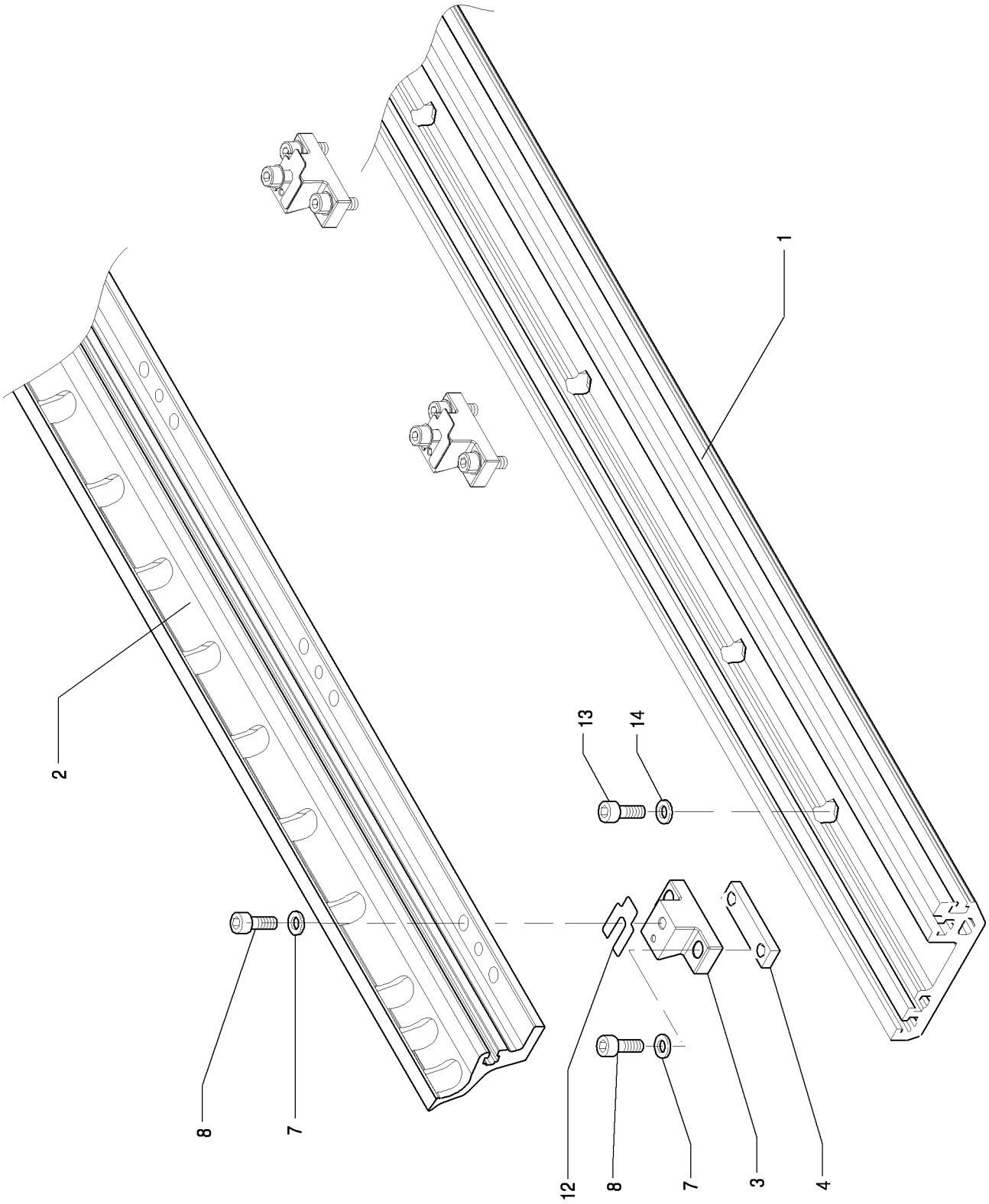
A9500	LATERAL SUPPORTS FOR WARP STOP MOTION	CA001-00
	Valid lots from to	21/03/2017



A9500	LATERAL SUPPORTS FOR WARP STOP MOTION		CA001-00
	Valid lots from to		21/03/2017

Pos.	Code	Widths	Remarks	Lots
1	191120031			
2	191120179			
3	191120178			
4	VV1457J		vite te m10x25 uni5739 cl12.9 brunito	
5	0124002		rond.piana d=11x30x2,5 iso7093-2 100hv zincata	
6	QED4007			
7	LED4010			
8	110022105			
9	VV19085		grano m12x80 uni5923 cl.45h zincata	
10	0124001		rond.piana d=10,5 uni6592 zincata	
11	VM11036		molla tazza din.2093 20x10,2x 0,8	
12	0014008		vite te m10x16 u5739 cl8.8 zincata	
13	110103010			
14	VM11022		molla a tazza din.2093 15x8.2x0.7	
15	0123005		rond.piana d=9x24x2 iso 7093-2 100hv zincata	
16	VV24232		vite ttlqstm din.603 m 8x 20- 8.8 zn.	
17	QED4009			
18	0045005	1900÷2800	vite tspei m12x55 u5933c10.9 zincata	
18	0045008	3000÷3600	vite tspei m12x30 u5933c10.9 zincata	
19	LEPL36A		Valid parts just for looms 1900; 2100; 2200; 2300; 2600; 2800	
20	LED418A			
21	0023057		vite tcei m8x20-12.9 iso4762 brunita	
22	2536294			
23	2560198			
24	0439031		chiavetta serragg.ct.476/30 p-m6x20	
25	VD14004		dado es.autoblocc.din.985 m 6 zn.	
26	2500256			
27	0227029		spina uni iso 8734-8x40-a-st	
28	VS10287		spina cilin.tem.din.6325 8 m6 x 28	
29	LED4005			
30	VV16216		vite tcei m8x30-12.9 iso4762 brunita	
31	LED4007			
32	LED4008			
33	0043003		vite tspei m8x25 u5933c10.9 zincata	
34	0035000		grano m12x140 uni5923 cl.45h brunito	

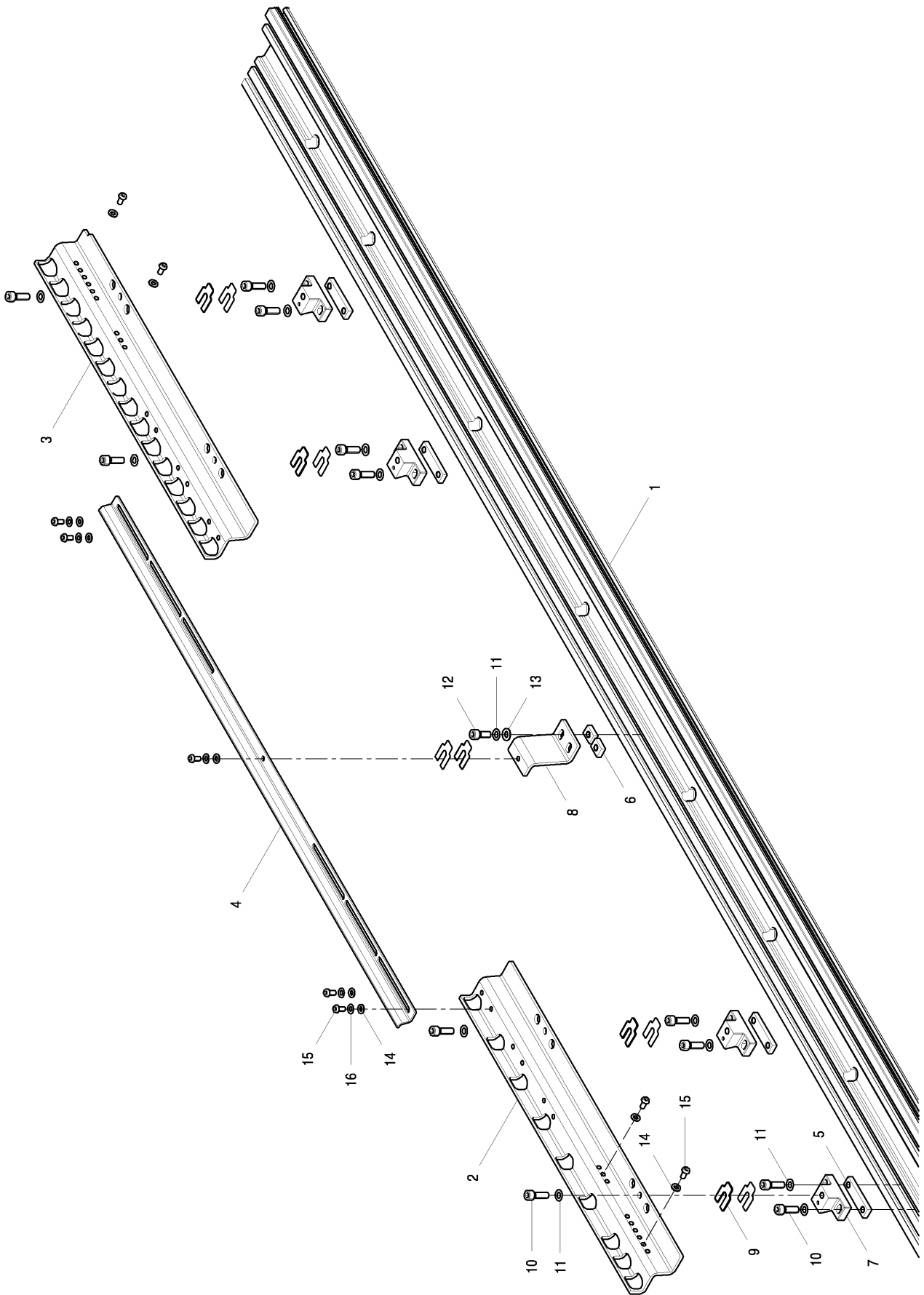
A9500	FRONT FABRIC SUPPORT BAR	DA001-00
	Valid lots from to	06/10/2015



A9500	FRONT FABRIC SUPPORT BAR		DA001-00
	Valid lots from to		06/10/2015

Pos.	Code	Widths	Remarks	Lots
1	131160014	1900		
1	131160015	2100		
1	131160016	2200		
1	131160017	2300		
1	131160018	2600		
1	131160019	2800		
1	131160020	3000		
1	131160021	3200		
1	131160022	3400		
1	131160023	3600		
2	QAH1108	1900		
2	QAH1109	2100		
2	QAH1110	2200		
2	QAH1111	2300		
2	QAH1112	2600		
2	QAH1113	2800		
2	QAH1114	3000		
2	QAH1115	3200		
2	QAH1116	3400		
2	QAH1117	3600		
3	QEH1063			
4	QEH1062			
7	VM11022		molla a tazza din.2093 15x8.2x0.7	
8	110023076			
12	FH1346A		Shim 0,2 mm.	
12	FH1218A		Shim 0,5 mm.	
13	0024050		vite tcebi m10x16 u9327 c10.9 zincata	
14	0144006		rond.di sicur.zig.schnor 10,5x16x1 zinca	

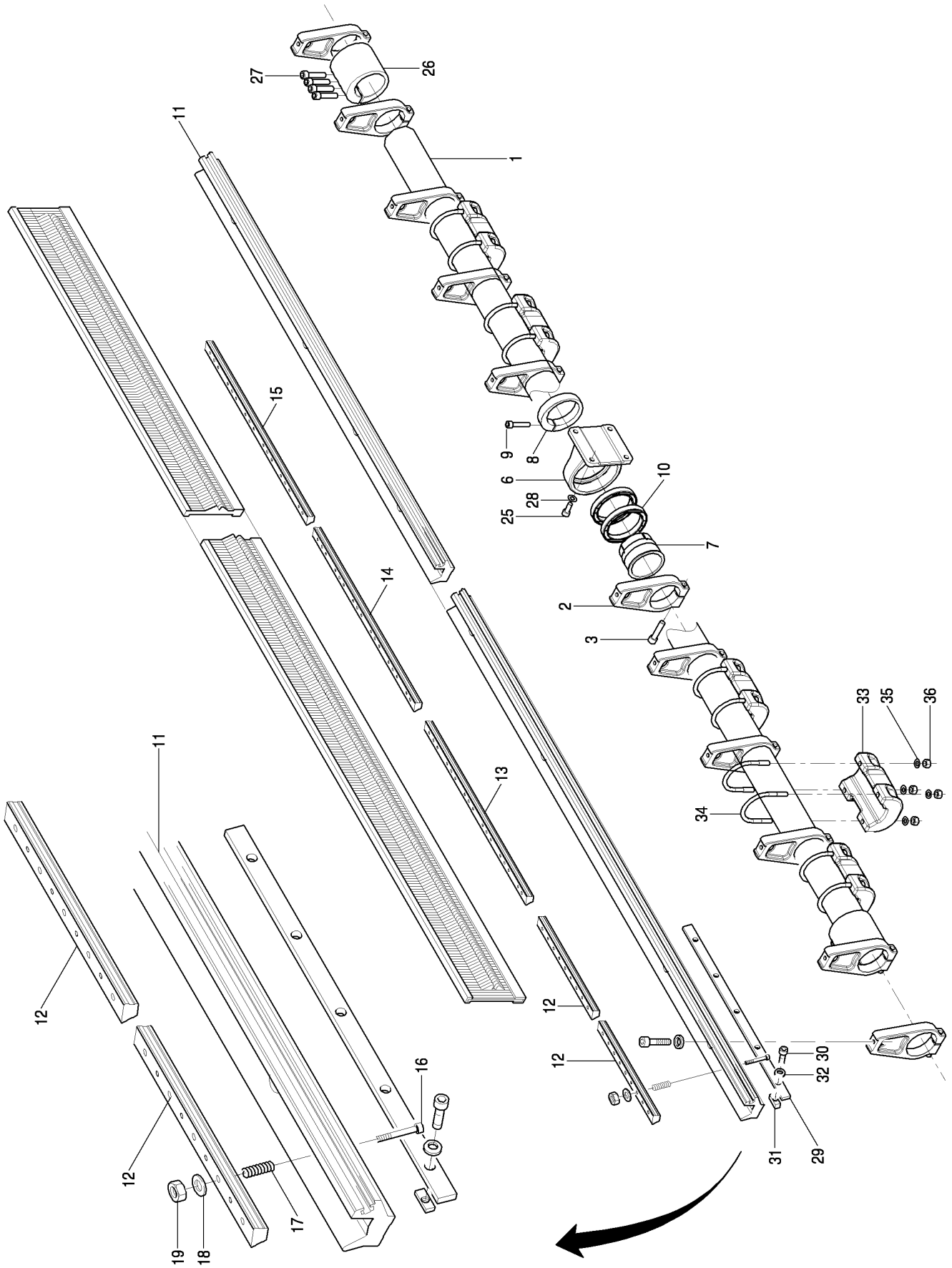
A9500	TELESCOPIC FRONT FABRIC SUPPORT BAR	DA005-00
	Valid lots from to	12/05/2016



A9500	TELESCOPIC FRONT FABRIC SUPPORT BAR		DA005-00
	Valid lots from to		12/05/2016

Pos.	Code	Widths	Remarks	Lots
1	131160014	1900		
1	131160015	2100		
1	131160016	2200		
1	131160017	2300		
1	131160018	2600		
1	131160019	2800		
1	131160020	3000		
1	131160021	3200		
1	131160022	3400		
1	131160023	3600		
2	131160126	1900		
2	131160127	2100		
2	131160128	2200		
2	131160129	2300		
2	131160130	2600		
2	131160131	2800		
2	131160132	3000		
2	131160133	3200		
2	131160134	3400		
2	131160135	3600		
3	131160136	1900		
3	131160137	2100		
3	131160138	2200		
3	131160139	2300		
3	131160140	2600		
3	131160141	2800		
3	131160142	3000		
3	131160143	3200		
3	131160144	3400		
3	131160145	3600		
4	131160146		L. 426 mm.	
4	131160124		L. 690 mm.	
4	131160125		L. 960 mm.	
5	QEH1062			
6	HDD011A			
7	QEH1063			
8	131160122			
9	FH1346A		Shim 0,2 mm.	
9	FH1218A		Shim 0,5 mm.	
10	110023076			
11	VM11022		molla a tazza din.2093 15x8.2x0.7	
12	110023075			
13	0123001		rond.piana d=8,4 uni6592 zincata	
14	0122001		rond.piana d=6,4 uni6592 zincata	
15	0025004		vite tcei m12x50 u5931 c8.8 zincata	
16	VM11016		molla tazza din.2093 12,5x 6,2x 0,5	

A9500	SLEY AND SHAFT		DA030-00
	Valid lots from to		28/10/2015



A9500	SLEY AND SHAFT		DA030-00
	Valid lots from to		28/10/2015

Pos.	Code	Widths	Remarks	Lots
1	131160027	1900		
1	131160028	2100		
1	131160029	2200		
1	131160030	2300		
1	131160031	2600		
1	131160032	2800		
1	131160033	3000		
1	131160034	3200		
1	131160035	3400		
1	131160036	3600		
2	131160039			
3	0025013		vite tcei m12x50-12.9 iso4762 brunita	
6	131160041			
7	QEH30LA			
8	QEH30MA			
9	0024049		vite tcei m10x50-8.8 iso4762 brunita	
10	ECS0417		cusc.rad.rigido sfere 61817-2rs 85x110x13	
11	131160001	1900		
11	131160002	2100		
11	131160003	2200		
11	131160004	2300		
11	131160005	2600		
11	131160006	2800		
11	131160007	3000		
11	131160008	3200		
11	131160009	3400		
11	131160010	3600		
12	131160042			
13	QEH3017	1900		
13	QEH3018	2100		
13	QEH3019	2200		
13	QEH3020	2300		
13	QEH3021	2600		
13	QEH3022	2800		
13	QEH3023	3000		
13	QEH3024	3200		
13	QEH3025	3400		
13	QEH3026	3600		
14	QEH3032			
15	131160043			
16	120021057			
17	HH3066A			
18	0122003		rond.spec.d=5,4x15x1,5 uni6593 zincata	
19	131260302			
25	VV16217		vite tcei m10x25-12.9 iso4762 brunita	
26	LEH31HA			
27	0025013		vite tcei m12x50-12.9 iso4762 brunita	
28	VM11036		molla tazza din.2093 20x10,2x 0,8	
29	QEH30ZA			
30	110021113			
31	QEH3029			
32	VR14535		rondella din 125 d. 5,3 zn.	
33	QEH320A			
33	131160116		Valid parts only for looms A9500p.	
34	QEH321A			

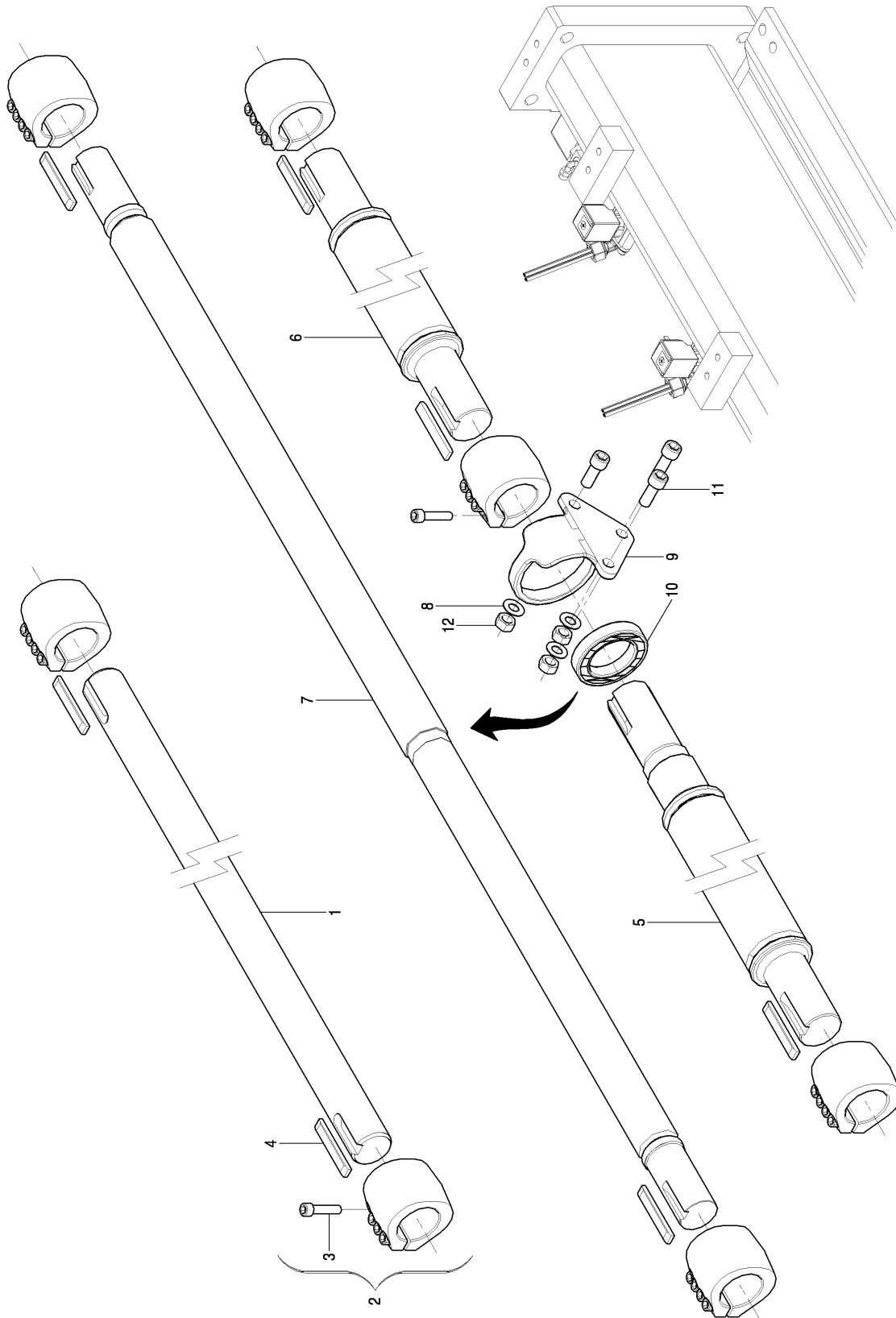
A9500	SLEY AND SHAFT		DA030-00
	Valid lots from to		28/10/2015

Pos.	Code	Widths	Remarks	Lots
------	------	--------	---------	------

35	0144006		rond.di secur.zig.schnor 10,5x16x1 zinca	
36	110104008			

A9500		
-------	--	--

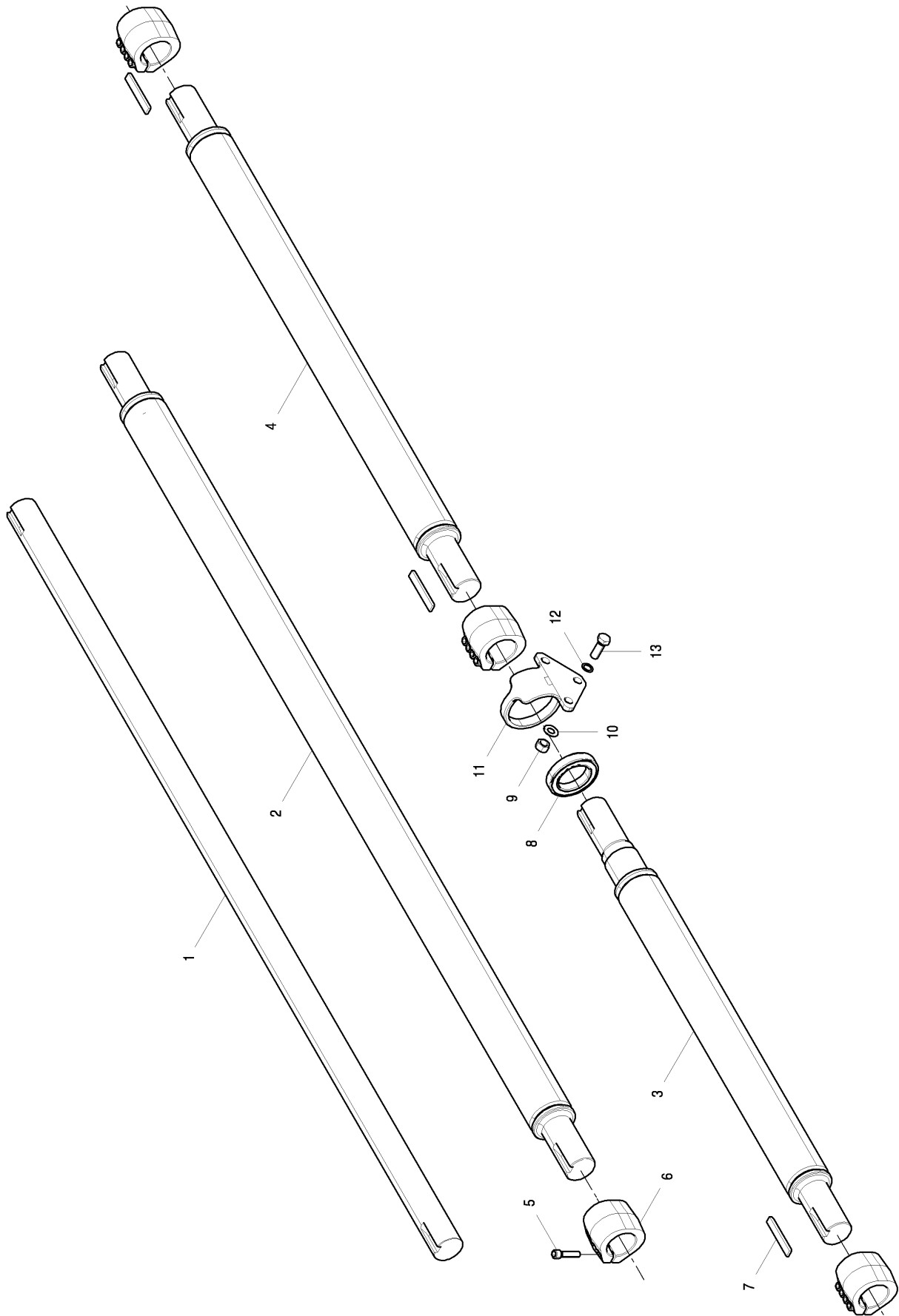
A9500	CONNECTION SHAFT		DA035-00
	Valid lots	from to YD07	30/10/2015



A9500	CONNECTION SHAFT		DA035-00
	Valid lots from to YD07		30/10/2015

Pos.	Code	Widths	Remarks	Lots
1	131160044	1900		
1	131160100	2100		
1	131160118	2200		
2	131160049			
3	0025013		vite tcei m12x50-12.9 iso4762 brunita	
4	2691436			
5	131160064	2600		
5	131160065	2800		
5	131160066	3000		
5	131160105	3200		
5	131160067	3400		
5	131160068	3600		
6	131160076	2600		
6	131160077	2800		
6	131160078	3000		
6	131160106	3200		
6	131160079	3400		
6	131160080	3600		
7	191160000			
8	VM11057		molla tazza din.2093 31,5x16,3x 1,75	
9	131160047			
10	0309010		cusc.6014-2rs a sfere 70x110x20	
11	110017027			
12	110107009			

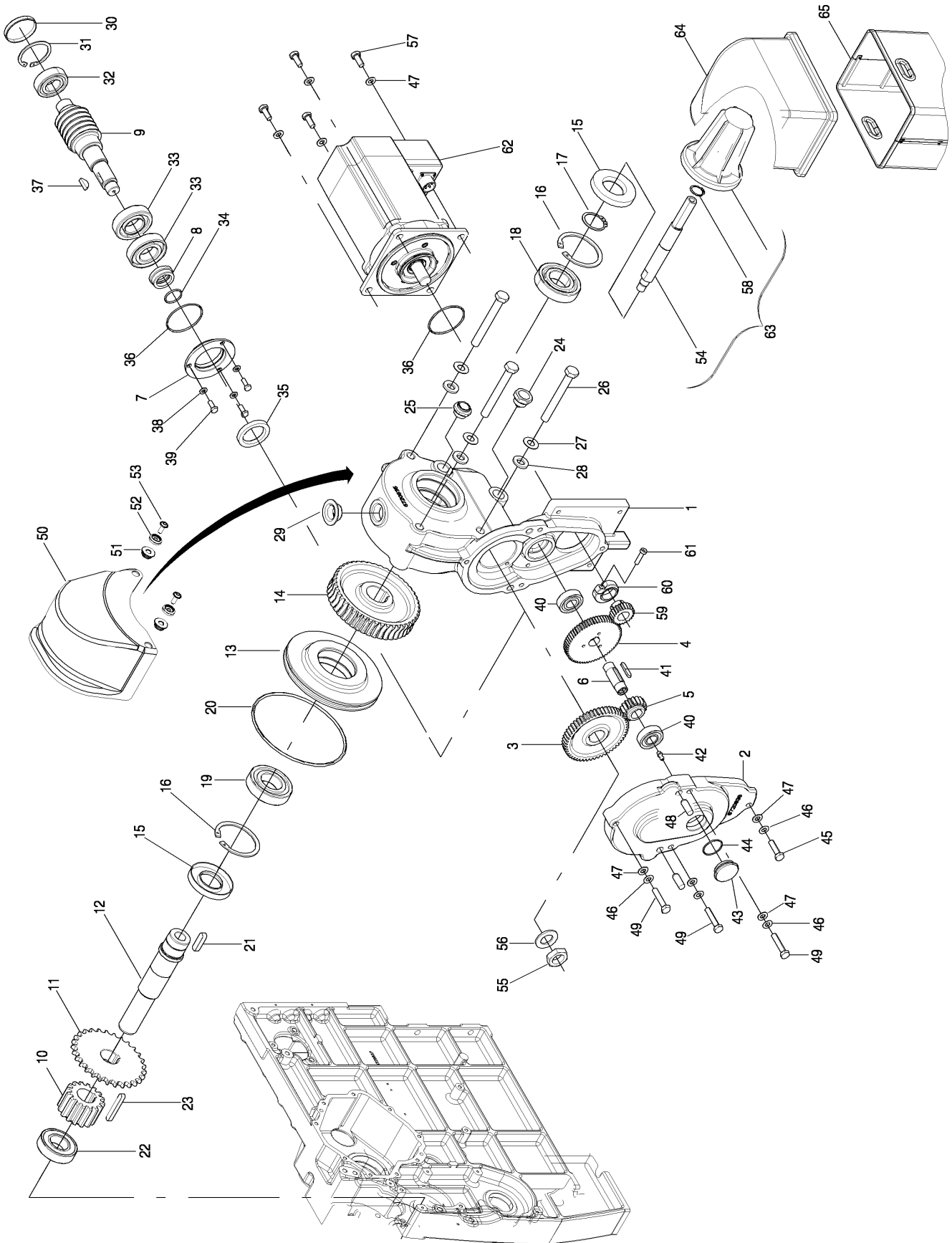
A9500	CONNECTION SHAFT			DA035-01
	Valid lots	from YD08	to	12/11/2015



A9500	CONNECTION SHAFT			DA035-01
	Valid lots from YD08 to			12/11/2015

Pos.	Code	Widths	Remarks	Lots
1	131160044	1900		
1	131160100	2100		
1	131160118	2200		
2	131160109	2300		
3	131160064	2600		
3	131160065	2800		
3	131160066	3000		
3	131160105	3200		
3	131160067	3400		
3	131160068	3600		
4	131160076	2600		
4	131160077	2800		
4	131160078	3000		
4	131160106	3200		
4	131160079	3400		
4	131160080	3600		
5	0025013		vite tcei m12x50-12.9 iso4762 brunita	
6	131160049			
7	2691436			
8	0309010		cusc.6014-2rs a sfere 70x110x20	
9	110107009			
10	VM11057		molla tazza din.2093 31,5x16,3x 1,75	
11	131160047			
12	0141015		rond.di sic.zig.schnorr"s" 17x24x1.3 brunita	
13	110017027			

A9500	ELECTRONIC TAKE-UP DEVICE		EA001-00
	Valid lots from to		08/06/2017



A9500	ELECTRONIC TAKE-UP DEVICE		EA001-00
	Valid lots from to		08/06/2017

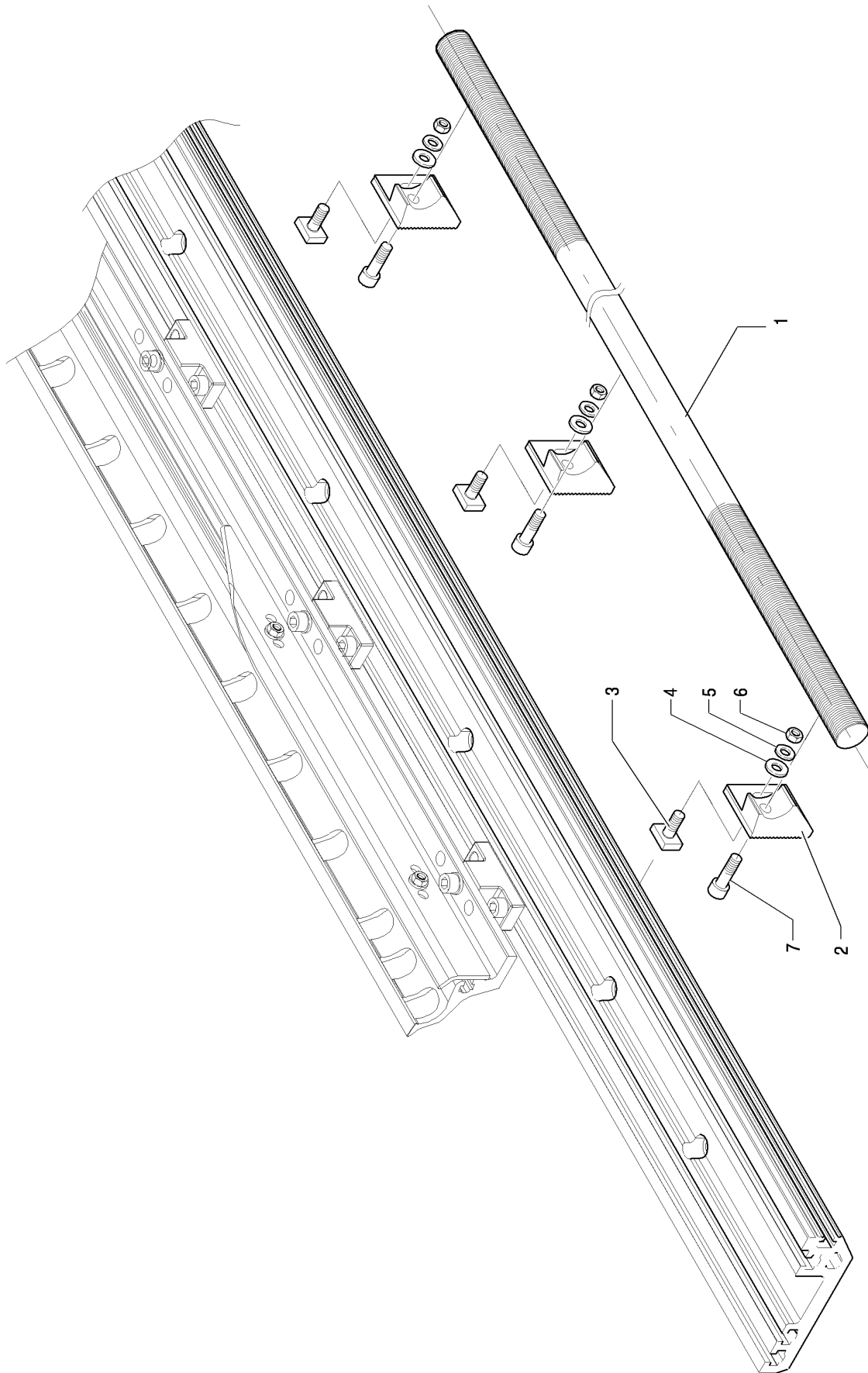
Pos.	Code	Widths	Remarks	Lots
1	131130038			
2	131130039			
3	2392126			
4	2392124			
5	2392122			
6	2100370			
7	2160288			
8	2142154			
9	2391134			
10	131130043			
11	131130042			
12	131130041			
13	131130040			
14	2392164			
15	VA12002		anello di tenuta angus smim.357210	
16	0197001		anello elastico di sic.per fori d=72 uni7437din472	
17	VA10533		anello d'arr.esterno din.471 d.35	YG05
17	0187001		anello elastico per alberi d=35 din471	YG06
18	0307027		cusc.rad.rig.sf.6207 35x72x17	
19	0307026		cusc.rulli 35x72x17 nj207ecp	
20	VG13708		guarnizione gaco tipo or 6600	
21	0214006		linguetta a 10x8x35 uni6604 rett.h9	
22	ECS0612		cusc.rad.rigido a sfere 6206-2rs	
23	0213000		linguetta 8x7x56 uni6604a rett.h9	
24	0472004		tappo magnetico 1/2 36a z36.0508	
25	0472045		tappo livello olio mod.38a 38.0428	
26	110005031			
27	VM11046		molla tazza din.2093 25x12,2x 0,9	
28	0125001		rond.piana d=13 uni6592 zincata	
29	0472016		sm.ed6010a tappo	
30	0389072		tappo corteco v4 120 d=52x7	
31	0195001		anello elastico di sic.per fori d=52 uni7437din472	
32	0305021		cusc.nj205ecp a rulli cil.25x52x15	
33	ECS2010		cusc.obl.a sfere 7206b.tvp	
34	0385005		anello tenuta or3100 25,07x2,62	
35	0387001		anello di tenuta ba 35x52x7	
36	0389001		anello tenuta or3225 56,82x2,62	
37	0205001		linguetta americana 6x9 uni6606	
38	0122001		rond.piana d=6,4 uni6592 zincata	
39	110012028			
40	0303008		cusc.rulli cil.nj 203 ecp 17x40x12	
41	0212021		linguetta ribas.tipo a 6x4x30 u7510	
42	0477004		ingrassatore hydraulic 273-a 6ma	
43	2558156			
44	0386007		anello tenuta or2118 29,87x1,78	
45	110013031			
46	VM11025		molla tazza din.2093 16x 8,2x 0,9	
47	0123001		rond.piana d=8,4 uni6592 zincata	
48	0228001		spina uni iso 8734 - 10x28 - a - st	
49	110013033			
50	131130110			
50	131130190		Details only valid for looms with double pressing roller	
51	HDP077A			
52	2558264			
53	0023049		vite tcbei con flang.m8x20 cl.10,9 brunita	

A9500	ELECTRONIC TAKE-UP DEVICE		EA001-00
	Valid lots from to		08/06/2017

Pos.	Code	Widths	Remarks	Lots
54	131270116			
55	0108004		dado basso uni5589 m20x1,5 cl.8 zincato	
56	0128002		rond.piana d=21 uni6592 zincata	
57	110013029			
58	VA10523		anello d'arresto d.25 din471	
59	2392118			
60	2162032			
61	0022046		vite tcbei m6x25 u9327 c8.8 zincata	
62	2691755			
63	191270094			
64	2788770		Valid particulars for looms with beam flange \varnothing 1100.	
64	131270022		Valid particulars for looms with beam flange \varnothing = 800 - 1000	
64	131170052		Valid particulars for looms with beam flange \varnothing = 800 - 1000 * Detail valid for looms with weft selvedge conveyor + weft waste compactor	
65	SJ2240001		Valid particulars for looms with beam flange $\leq \varnothing$ 800.	
65	LADP032		Valid particulars for looms with beam flange \varnothing =1000 - 1100	

A9500		
-------	--	--

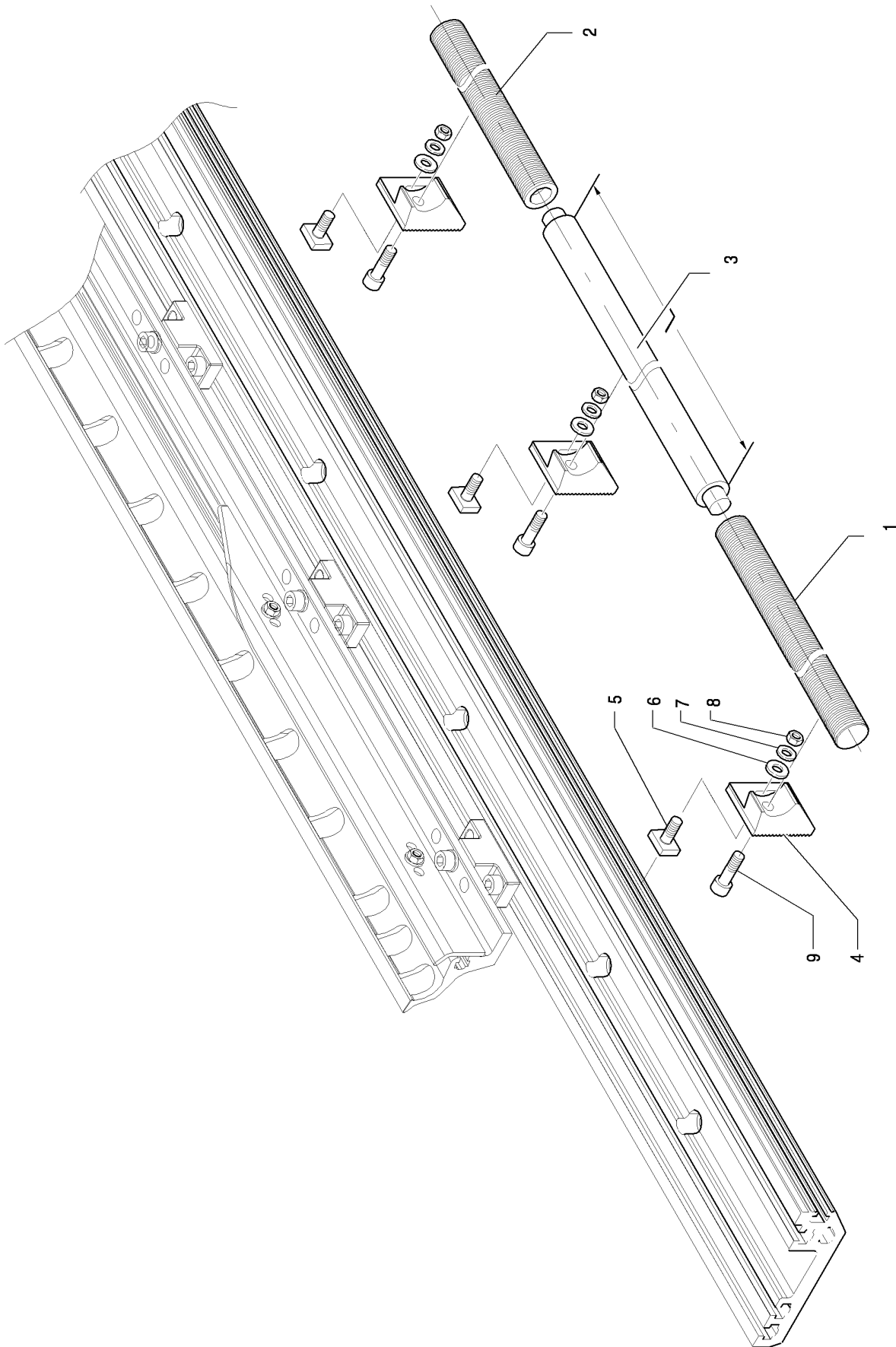
A9500	CLOTH WIDENING THREADED BAR NOT CROPPED	EA005-00
	Valid lots from to	31/08/2015



A9500	CLOTH WIDENING THREADED BAR NOT CROPPED		EA005-00
	Valid lots from to		31/08/2015

Pos.	Code	Widths	Remarks	Lots
1	131130178	1900	L. 1940 mm.	
1	131130179	2100	L. 2140 mm.	
1	131130189	2200	L. 2240 mm.	
1	131130180	2300	L. 2340 mm.	
1	131130182	2600	L. 2640 mm.	
1	131130183	2800	L. 2840 mm.	
1	131130184	3000	L. 3040 mm.	
1	131130185	3200	L. 3240 mm.	
1	131130186	3400	L. 3440 mm.	
1	131130187	3600	L. 3640 mm.	
2	QEH1061			
3	QEH1064			
4	VR14080		rond.bisell.din 1440 d.8,4 zn	
5	VM11025		molla tazza din.2093 16x 8,2x 0,9	
6	VD13018		dado esag. m 8 uni5588 cl.8 zincato	
7	VV16072		vite tcei m8x22 uni5931 cl8.8 zincata	

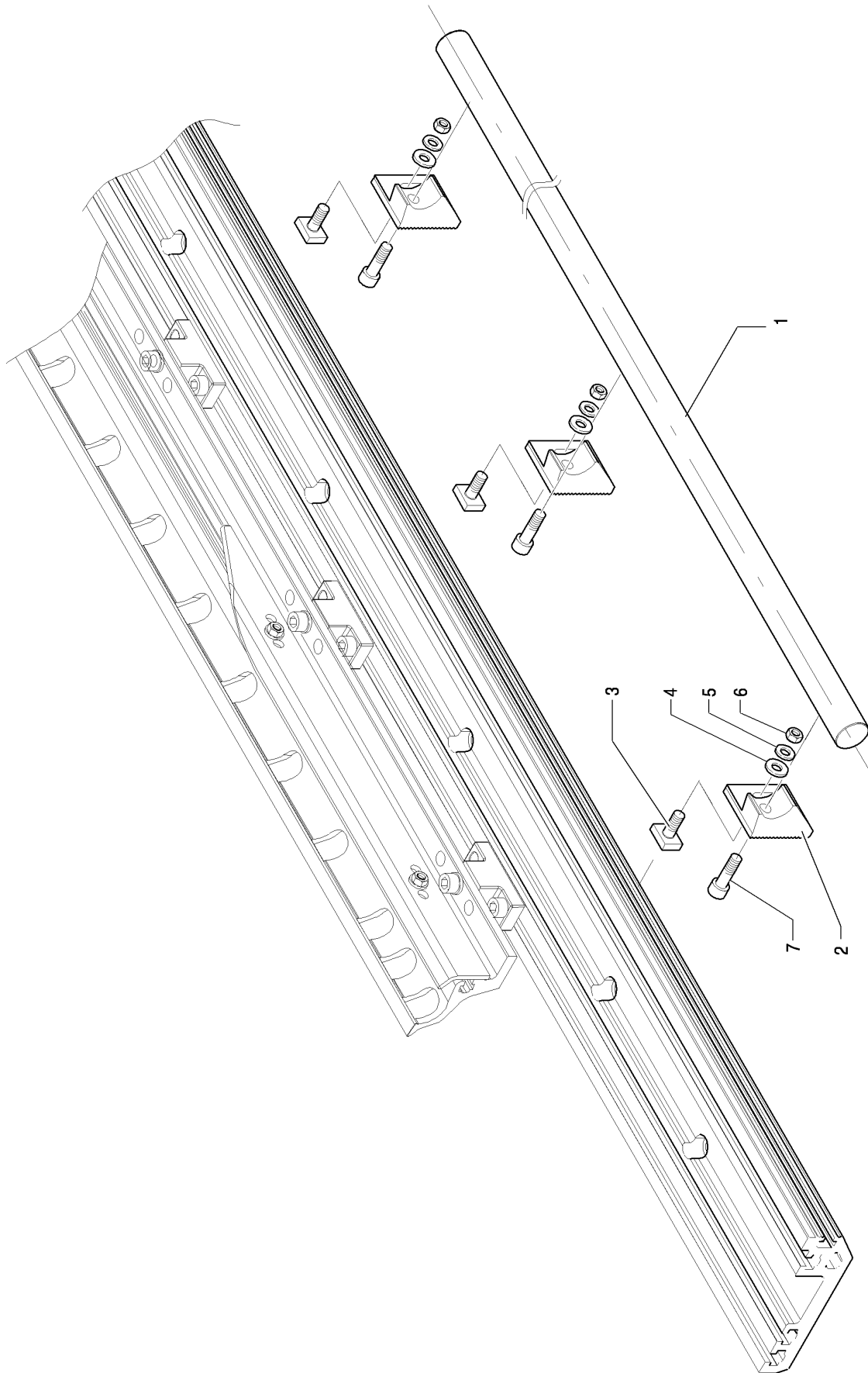
A9500	CLOTH WIDENING THREADED BAR CROPPED	EA010-00
	Valid lots from to	31/07/2015



A9500	CLOTH WIDENING THREADED BAR CROPPED		EA010-00
	Valid lots from to		31/07/2015

Pos.	Code	Widths	Remarks	Lots
1	QETG005	1900÷2300	Left. * L. 700 mm.	
1	QETG006	2600÷3600	Left. * L. 1200 mm.	
2	QETG002	1900÷2300	Right. * L. 700 mm.	
2	QETG003	2600÷3600	Right. * L. 1200 mm.	
3	QETG017		L. 1040 mm.	
3	QETG018		L. 1140 mm.	
3	QETG019		L. 1240 mm.	
3	QETG020		L. 1340 mm.	
3	QETG008		L. 140 mm.	
3	QETG009		L. 240 mm.	
3	QETG010		L. 340 mm.	
3	QETG011		L. 440 mm.	
3	QETG012		L. 540 mm.	
3	QETG013		L. 640 mm.	
3	QETG014		L. 740 mm.	
3	QETG015		L. 840 mm.	
3	QETG007		L. 90 mm.	
3	QETG016		L. 940 mm.	
4	QEH1061			
5	QEH1064			
6	VR14080		rond.bisell.din 1440 d.8,4 zn	
7	VM11025		molla tazza din.2093 16x 8,2x 0,9	
8	VD13018		dado esag. m 8 uni5588 cl.8 zincato	
9	VV16072		vite tcei m8x22 uni5931 cl8.8 zincata	

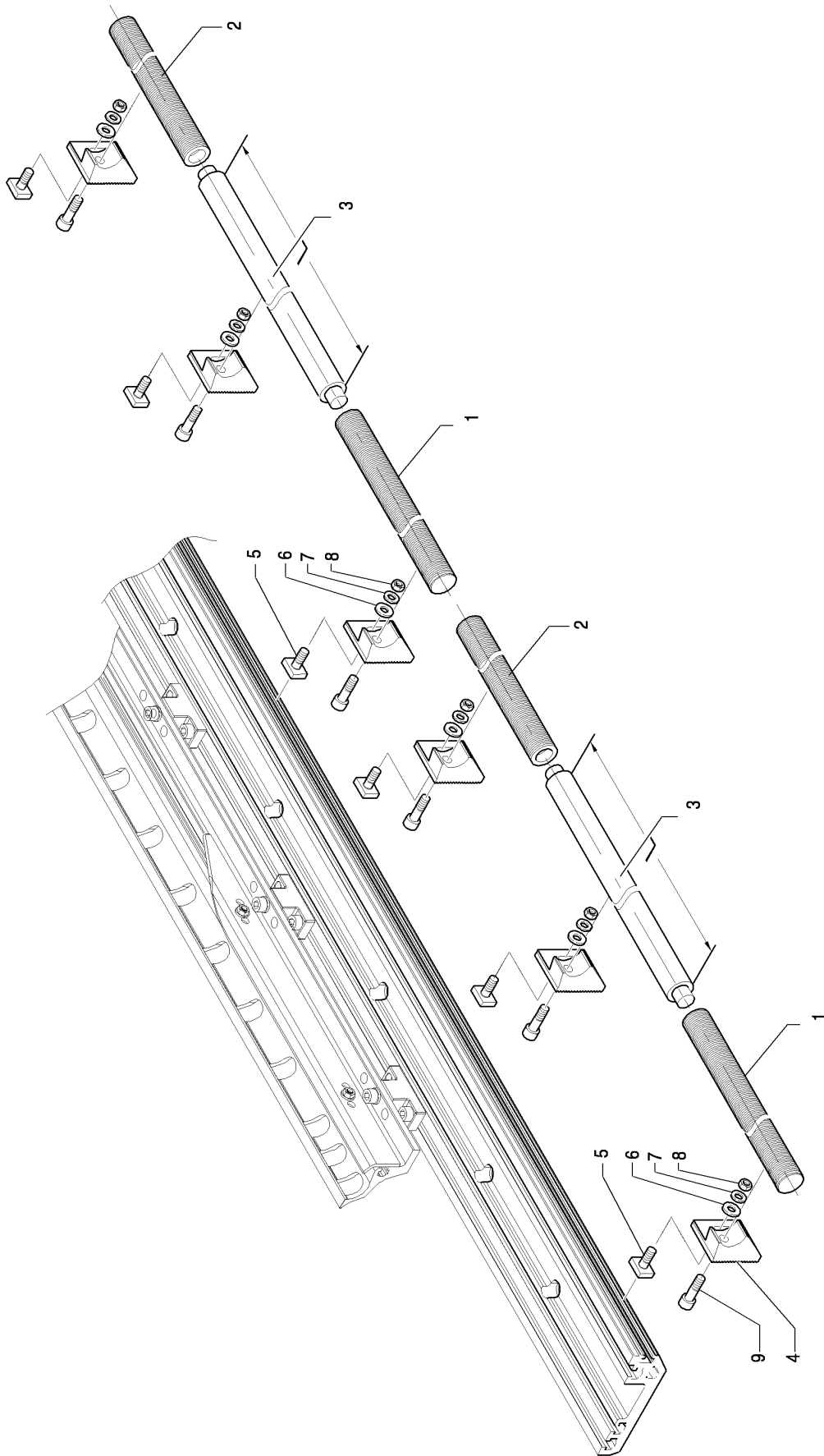
A9500	CLOTH WIDENING SMOOTH BAR	EA015-00
	Valid lots from to	31/08/2015



A9500	CLOTH WIDENING SMOOTH BAR		EA015-00
	Valid lots from to		31/08/2015

Pos.	Code	Widths	Remarks	Lots
1	QETG039	1900	L. 1940 mm.	
1	QETG040	2100	L. 2140 mm.	
1	QETG041	2200	L. 2240 mm.	
1	QETG042	2300	L. 2340 mm.	
1	QETG043	2600	L. 2640 mm.	
1	QETG044	2800	L. 2840 mm.	
1	QETG045	3000	L. 3040 mm.	
1	QETG046	3200	L. 3240 mm.	
1	QETG047	3400	L. 3440 mm.	
1	QETG048	3600	L. 3640 mm.	
2	QEH1061			
3	QEH1064			
4	VR14080		rond.bisell.din 1440 d.8,4 zn	
5	VM11025		molla tazza din.2093 16x 8,2x 0,9	
6	VD13018		dado esag. m 8 uni5588 cl.8 zincato	
7	VV16072		vite tcei m8x22 uni5931 cl8.8 zincata	

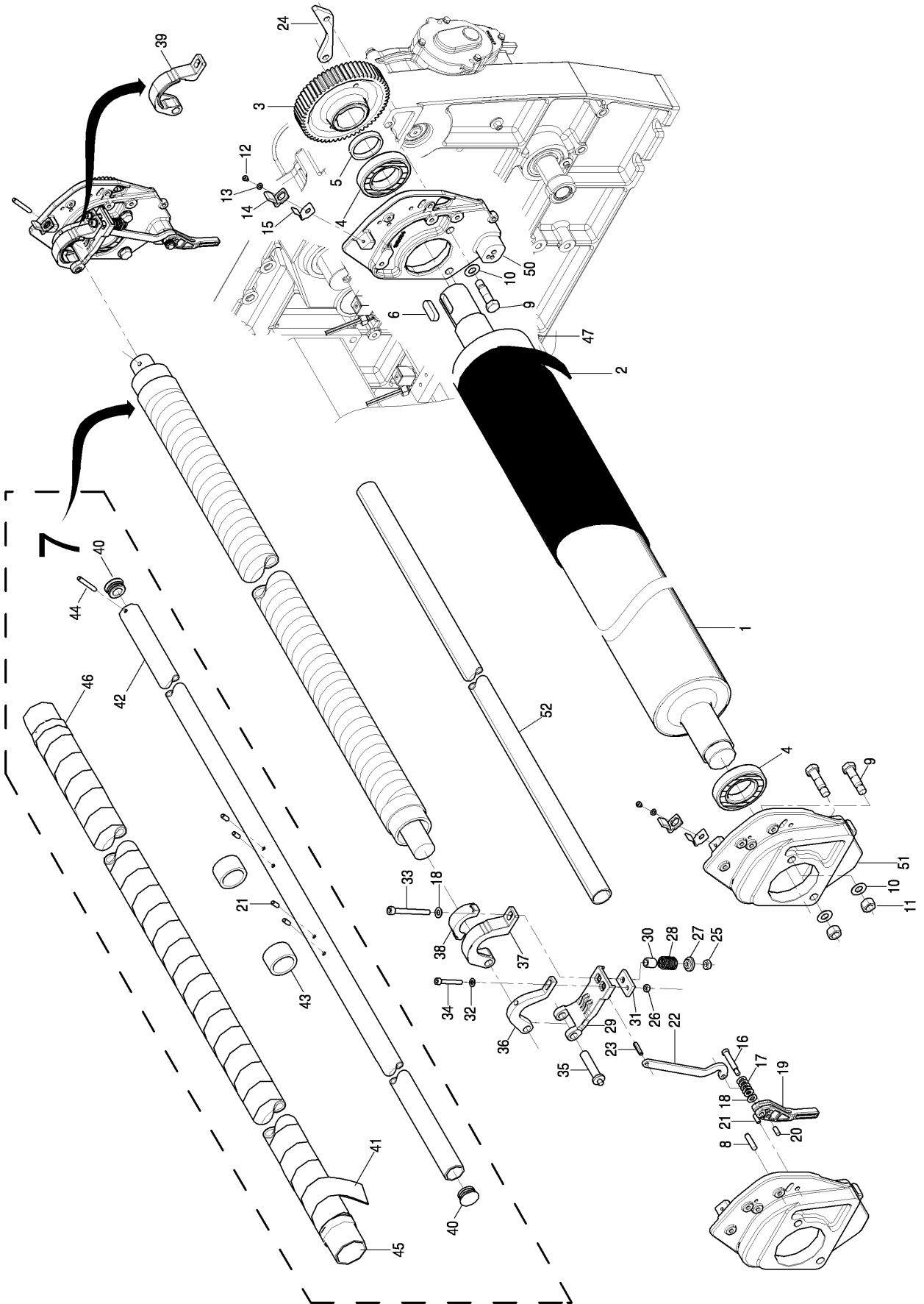
A9500	CLOTH WIDENING THREADED BAR FOR 2 CLOTHS (2600 ÷ 3600)	EA020-00
	Valid lots from to	31/07/2015



A9500	CLOTH WIDENING THREADED BAR FOR 2 CLOTHS (2600 ÷ 3600)	EA020-00
	Valid lots from to	31/07/2015

Pos.	Code	Widths	Remarks	Lots
1	QETG004	2600÷3600		
2	QETG001	2600÷3600		
3	QETG008	2600	L. 140 mm.	
3	QETG007	2600÷3600	L. 90 mm.	
3	QETG009	2800	L. 240 mm.	
3	QETG011	3000	L. 440 mm.	
3	QETG013	3200	L. 640 mm.	
3	QETG015	3400	L. 840 mm.	
3	QETG017	3600	L. 1040 mm.	
4	QEH1061			
5	QEH1064			
6	VR14080		rond.bisell.din 1440 d.8,4 zn	
7	VM11025		molla tazza din.2093 16x 8,2x 0,9	
8	VD13018		dado esag. m 8 uni5588 cl.8 zincato	
9	VV16072		vite tcei m8x22 uni5931 cl8.8 zincata	

A9500	FABRIC WINDING FOR THE LOOMS	EA030-00
	Valid lots from to YE01	06/10/2015



A9500	FABRIC WINDING FOR THE LOOMS		EA030-00
	Valid lots from to YE01		06/10/2015

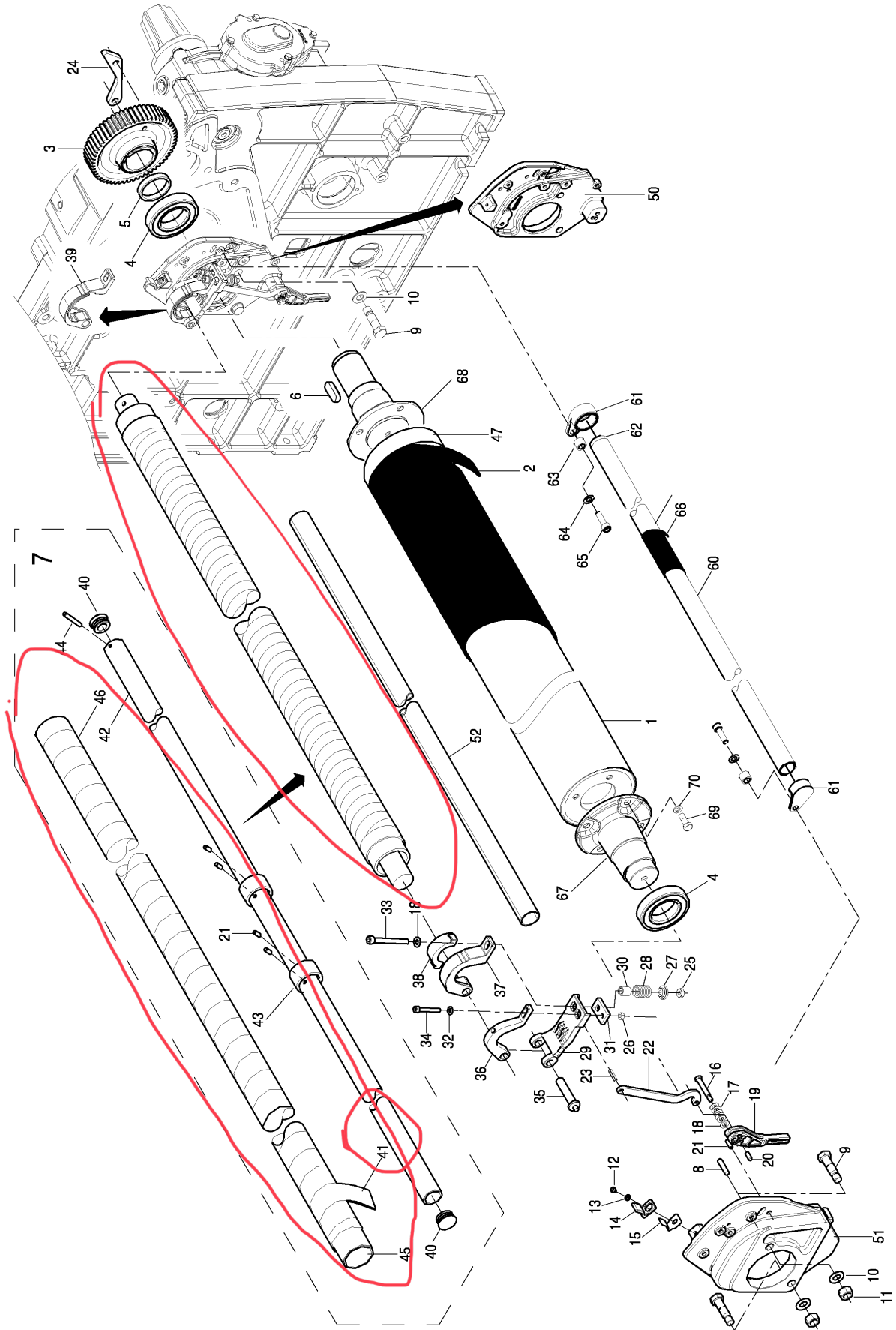
Pos.	Code	Widths	Remarks	Lots
1	191130014	1900		
1	191130015	2100		
1	191130016	2200		
1	191130017	2300		
1	191130018	2600		
1	191130019	2800		
1	191130020	3000		
1	191130021	3200		
1	191130022	3400		
1	191130023	3600		
2	GWN0310		Emery cloth grain 100 available in 50 mt. packing units.	
2	GWN0318		Emery cloth grain 180 available in 50 mt. packing units.	
2	0693011		nastro rollstrip sbao/s 50x2,5 115m * Grey rubber sheath available in 50m. Packingunits.	
3	2392116			
4	ECS0622		cuscinetto 6212 2rs radiale a sfera	
5	131130028			
6	0218002		linguetta a 18x11x50 h8 uni 6604	
7	191130125	1900	Pressing rollers with felt tape	
7	191130073	1900	Pressing rollers with NBE tape	
7	191130126	2100	Pressing rollers with felt tape	
7	191130074	2100	Pressing rollers with NBE tape	
7	191130127	2200	Pressing rollers with felt tape	
7	191130075	2200	Pressing rollers with NBE tape	
7	191130128	2300	Pressing rollers with felt tape	
7	191130076	2300	Pressing rollers with NBE tape	
7	191130129	2600	Pressing rollers with felt tape	
7	191130077	2600	Pressing rollers with NBE tape	
7	191130130	2800	Pressing rollers with felt tape	
7	191130078	2800	Pressing rollers with NBE tape	
7	191130131	3000	Pressing rollers with felt tape	
7	191130079	3000	Pressing rollers with NBE tape	
7	191130132	3200	Pressing rollers with felt tape	
7	191230001	3200	Pressing rollers with NBE tape	
7	191130133	3400	Pressing rollers with felt tape	
7	191130081	3400	Pressing rollers with NBE tape	
7	191130134	3600	Pressing rollers with felt tape	
7	191130082	3600	Pressing rollers with NBE tape	
8	0228020		spina uni iso 8734 -10x40 -a -st	
9	131130031			
10	0127001		rond.piana d=17 uni6592 zincata	
11	110107009			
12	0052012		vite tbei m6x8-8.8 iso7380 brunita	
13	VM11016		molla tazza din.2093 12,5x 6,2x 0,5	
14	2558388			
15	2873138			
16	131130139			
17	0144002		molla a tazza 20x10,2x1,1 din2093	
18	0124001		rond.piana d=10,5 uni6592 zincata	
19	131130102			
20	0227007		spina uni iso 8734 - 8x20 - a-st	
21	0238001		spina elastica 8x20 din1481	
22	131130089			
23	0238017		spina elastica 8x30 din1481	
24	131230003			

A9500	FABRIC WINDING FOR THE LOOMS		EA030-00
	Valid lots from to YE01		06/10/2015

Pos.	Code	Widths	Remarks	Lots
25	VD14008		dado es.autoblocc.din.985 m10 zn.	
26	0113011		dado autofrenante m8 din985-10	
27	2340026			
28	2193134			
29	2526335			
30	2140083			
31	2500968			
32	0123001		rond.piana d=8,4 uni6592 zincata	
33	110024064			
34	0023022		vite tcei m8x55-12.9 iso4762 brunita	
35	QENH012			
36	2500247			
37	QENH021			
38	2548176			
39	QENH020			
40	0472052		tappo copritesta alett.d=40 art.701	
41	0693009		rot.mt55nbe50x2,7cincla non biades. * Cincla-NBE-rubber shreath available in 50 m. packing units. Felt sheath made to 50m. Measure.	
41	GWN0910			
42	131130078	1900		
42	131130079	2100		
42	131130080	2200		
42	131130081	2300		
42	131130082	2600		
42	131130083	2800		
42	131130084	3000		
42	131230000	3200		
42	131130086	3400		
42	131130087	3600		
43	2148124			
44	0238004		spina elastica 8x65 din1481	
45	131130091	1900		
45	131130092	2100		
45	131130093	2200		
45	131130094	2300		
45	131130095	2600		
45	131130096	2800		
45	131130097	3000		
45	131230001	3200		
45	131130099	3400		
45	131130100	3600		
46	0473077		coll.macroplast b 1287 barattolo da 1/2 kg	
47	0473032		nast.ad.es.rinf.unidirez.38/50mt nastroflex nfx14	
50	131130104			
51	131130105			
52	QEQ2017	1900		
52	QEQ2018	2100		
52	QEQ2019	2200		
52	QEQ2020	2300		
52	131110175	2600		
52	131110176	2800		
52	131210290	3000		
52	131210291	3200		
52	131110177	3400		
52	131110178	3600		

A9500		
-------	--	--

A9500	FABRIC WINDING FOR THE LOOMS		EA030-01
	Valid lots from YE02 to		06/11/2015



A9500	FABRIC WINDING FOR THE LOOMS			EA030-01
	Valid lots from YE02 to			06/11/2015

Pos.	Code	Widths	Remarks	Lots
1	191130014	1900		
1	191130015	2100		
1	191130016	2200		
1	191130017	2300		
1	191130018	2600		
1	191130019	2800		
1	191130020	3000		
1	191130021	3200		
1	191130022	3400		
1	191130023	3600		
2	GWN0310		Emery cloth grain 100 available in 50 mt. packing units.	
2	GWN0318		Emery cloth grain 180 available in 50 mt. packing units.	
2	0693011		nastro rollstrip sbao/s 50x2,5 115m * Grey rubber sheath available in 50m. Packingunits.	
3	2392116			
4	ECS0622		cuscinetto 6212 2rs radiale a sfera	
5	131130028			
6	0218002		linguetta a 18x11x50 h8 uni 6604	
7	191130125	1900	Pressing rollers with felt tape	
7	191130073	1900	Pressing rollers with NBE tape	
7	191130126	2100	Pressing rollers with felt tape	
7	191130074	2100	Pressing rollers with NBE tape	
7	191130127	2200	Pressing rollers with felt tape	
7	191130075	2200	Pressing rollers with NBE tape	
7	191130128	2300	Pressing rollers with felt tape	
7	191130076	2300	Pressing rollers with NBE tape	
7	191130129	2600	Pressing rollers with felt tape	
7	191130077	2600	Pressing rollers with NBE tape	
7	191130130	2800	Pressing rollers with felt tape	
7	191130078	2800	Pressing rollers with NBE tape	
7	191130131	3000	Pressing rollers with felt tape	
7	191130079	3000	Pressing rollers with NBE tape	
7	191130132	3200	Pressing rollers with felt tape	
7	191230001	3200	Pressing rollers with NBE tape	
7	191130133	3400	Pressing rollers with felt tape	
7	191130081	3400	Pressing rollers with NBE tape	
7	191130134	3600	Pressing rollers with felt tape	
7	191130082	3600	Pressing rollers with NBE tape	
8	0228020		spina uni iso 8734 -10x40 -a -st	
9	131130031			
10	0127001		rond.piana d=17 uni6592 zincata	
11	110107009			
12	0052012		vite tbei m6x8-8.8 iso7380 brunita	
13	VM11016		molla tazza din.2093 12,5x 6,2x 0,5	
14	2558388			
15	2873138			
16	131130139			
17	0144002		molla a tazza 20x10,2x1,1 din2093	
18	0124001		rond.piana d=10,5 uni6592 zincata	
19	131130102			
20	0227007		spina uni iso 8734 - 8x20 - a-st	
21	0238001		spina elastica 8x20 din1481	
22	131130089			
23	0238017		spina elastica 8x30 din1481	
24	131230003			

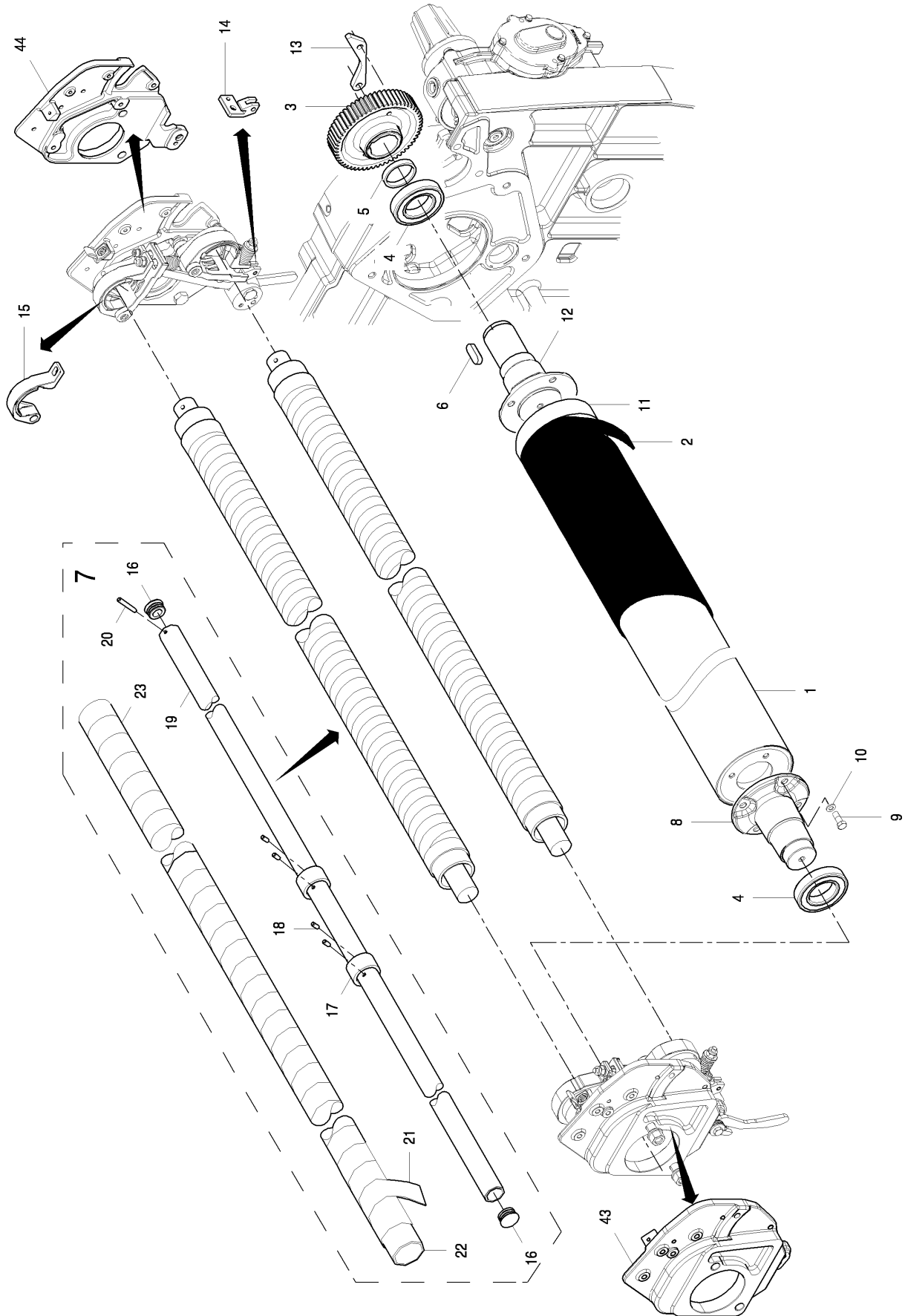
A9500	FABRIC WINDING FOR THE LOOMS			EA030-01
	Valid lots from YE02 to			06/11/2015

Pos.	Code	Widths	Remarks	Lots
25	VD14008		dado es.autoblocc.din.985 m10 zn.	
26	0113011		dado autofrenante m8 din985-10	
27	2340026			
28	2193134			
29	2526335			
30	2140083			
31	2500968			
32	0123001		rond.piana d=8,4 uni6592 zincata	
33	110024064			
34	0023022		vite tcei m8x55-12.9 iso4762 brunita	
35	131130061			
36	2500247			
37	QENH021			
38	2548176			
39	QENH020			
40	0472052		tappo copritesta alett.d=40 art.701	
41	0693009		rot.mt55nbe50x2,7cincla non biades. * Cincla-NBE-rubber shreath available in 50 m. packing units. Felt sheath made to 50m. Measure.	
41	GWN0910			
42	131130078	1900		
42	131130079	2100		
42	131130080	2200		
42	131130081	2300		
42	131130082	2600		
42	131130083	2800		
42	131130084	3000		
42	131230000	3200		
42	131130086	3400		
42	131130087	3600		
43	2148124			
44	0238004		spina elastica 8x65 din1481	
45	131130091	1900		
45	131130092	2100		
45	131130093	2200		
45	131130094	2300		
45	131130095	2600		
45	131130096	2800		
45	131130097	3000		
45	131230001	3200		
45	131130099	3400		
45	131130100	3600		
46	0473077		coll.macroplast b 1287 barattolo da 1/2 kg	
47	0473032		nast.ad.es.rinf.unidirez.38/50mt nastrofex nfx14	
50	131230162			
51	131230163			
52	QEQ2017	1900		
52	QEQ2018	2100		
52	QEQ2019	2200		
52	QEQ2020	2300		
52	131110175	2600		
52	131110176	2800		
52	131210290	3000		
52	131210291	3200		
52	131110177	3400		
52	131110178	3600		

A9500	FABRIC WINDING FOR THE LOOMS			EA030-01
	Valid lots from YE02 to			06/11/2015

Pos.	Code	Widths	Remarks	Lots
60	131130063	1900		
60	131130064	2100		
60	131130065	2200		
60	131130066	2300		
60	131130067	2600		
60	131130068	2800		
60	131130069	3000		
60	131130070	3200		
60	131130071	3400		
60	131130072	3600		
61	SH2558170			
62	0473069		nast.ades.rinf.unidirez.19x50mt nastroflex nfx14	
63	2140576			
64	0144002		molla a tazza 20x10,2x1,1 din2093	
65	110014025			
66	0693009		rot.mt55nbe50x2,7cincla non biades.	
67	131130119			
68	131130118			
69	110015020			
70	0155001		rond.di sic.zig.schnorr"s" 13x18x1,1 brunita	

A9500	FABRIC WINDING FOR THE LOOMS (DOUBLE PRESSING ROLLER)	EA035-00
	Valid lots from to	09/11/2015



A9500	FABRIC WINDING FOR THE LOOMS (DOUBLE PRESSING ROLLER)		EA035-00
	Valid lots from to		09/11/2015

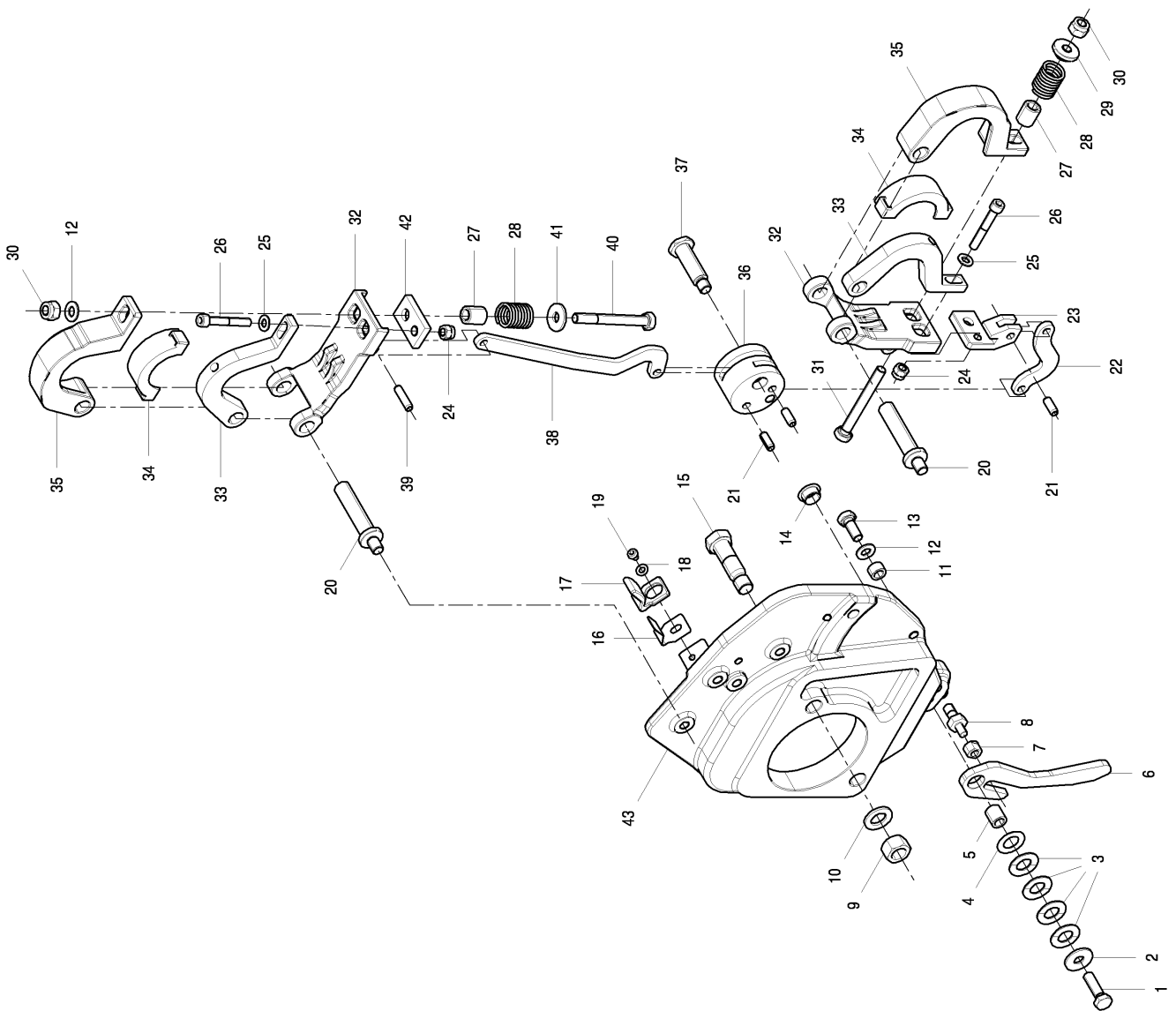
Pos.	Code	Widths	Remarks	Lots
1	191130014	1900		
1	191130015	2100		
1	191130016	2200		
1	191130017	2300		
1	191130018	2600		
1	191130019	2800		
1	191130020	3000		
1	191130021	3200		
1	191130022	3400		
1	191130023	3600		
2	GWN0310		Emery cloth grain 100 available in 50 mt. packing units.	
2	GWN0318		Emery cloth grain 180 available in 50 mt. packing units.	
2	0693011		nastro rollstrip sbao/s 50x2,5 115m * Grey rubber sheath available in 50m. Packingunits.	
3	2392116			
4	ECS0622		cuscinetto 6212 2rs radiale a sfera	
5	131130028			
6	0218002		linguetta a 18x11x50 h8 uni 6604	
7	191130125	1900	Pressing rollers with felt tape	
7	191130073	1900	Pressing rollers with NBE tape	
7	191130126	2100	Pressing rollers with felt tape	
7	191130074	2100	Pressing rollers with NBE tape	
7	191130127	2200	Pressing rollers with felt tape	
7	191130075	2200	Pressing rollers with NBE tape	
7	191130128	2300	Pressing rollers with felt tape	
7	191130076	2300	Pressing rollers with NBE tape	
7	191130129	2600	Pressing rollers with felt tape	
7	191130077	2600	Pressing rollers with NBE tape	
7	191130130	2800	Pressing rollers with felt tape	
7	191130078	2800	Pressing rollers with NBE tape	
7	191130131	3000	Pressing rollers with felt tape	
7	191130079	3000	Pressing rollers with NBE tape	
7	191130132	3200	Pressing rollers with felt tape	
7	191230001	3200	Pressing rollers with NBE tape	
7	191130133	3400	Pressing rollers with felt tape	
7	191130081	3400	Pressing rollers with NBE tape	
7	191130134	3600	Pressing rollers with felt tape	
7	191130082	3600	Pressing rollers with NBE tape	
8	131130119			
9	110015020			
10	0155001		rond.di sic.zig.schnorr"s" 13x18x1,1 brunita	
11	0473032		nast.ad.es.rinf.unidirez.38/50mt nastrofle nfx14	
12	131130118			
13	131230003			
14	131130153			
15	QENH020			
16	0472052		tappo copritesta alett.d=40 art.701	
17	2148124			
18	0238001		spina elastica 8x20 din1481	
19	131130078	1900		
19	131130079	2100		
19	131130080	2200		
19	131130081	2300		
19	131130082	2600		
19	131130083	2800		

A9500	FABRIC WINDING FOR THE LOOMS (DOUBLE PRESSING ROLLER)	EA035-00
	Valid lots from to	09/11/2015

Pos.	Code	Widths	Remarks	Lots
19	131130084	3000		
19	131230000	3200		
19	131130086	3400		
19	131130087	3600		
20	0238004		spina elastica 8x65 din1481	
21	GWN0910			
21	0693009		rot.mt55nbe50x2,7cincla non biades.	
22	131130091	1900		
22	131130092	2100		
22	131130093	2200		
22	131130094	2300		
22	131130095	2600		
22	131130096	2800		
22	131130097	3000		
22	131230001	3200		
22	131130099	3400		
22	131130100	3600		
23	0473077		coll.macroplast b 1287 barattolo da 1/2 kg	
43	131130142			
44	131130143			

A9500		
-------	--	--

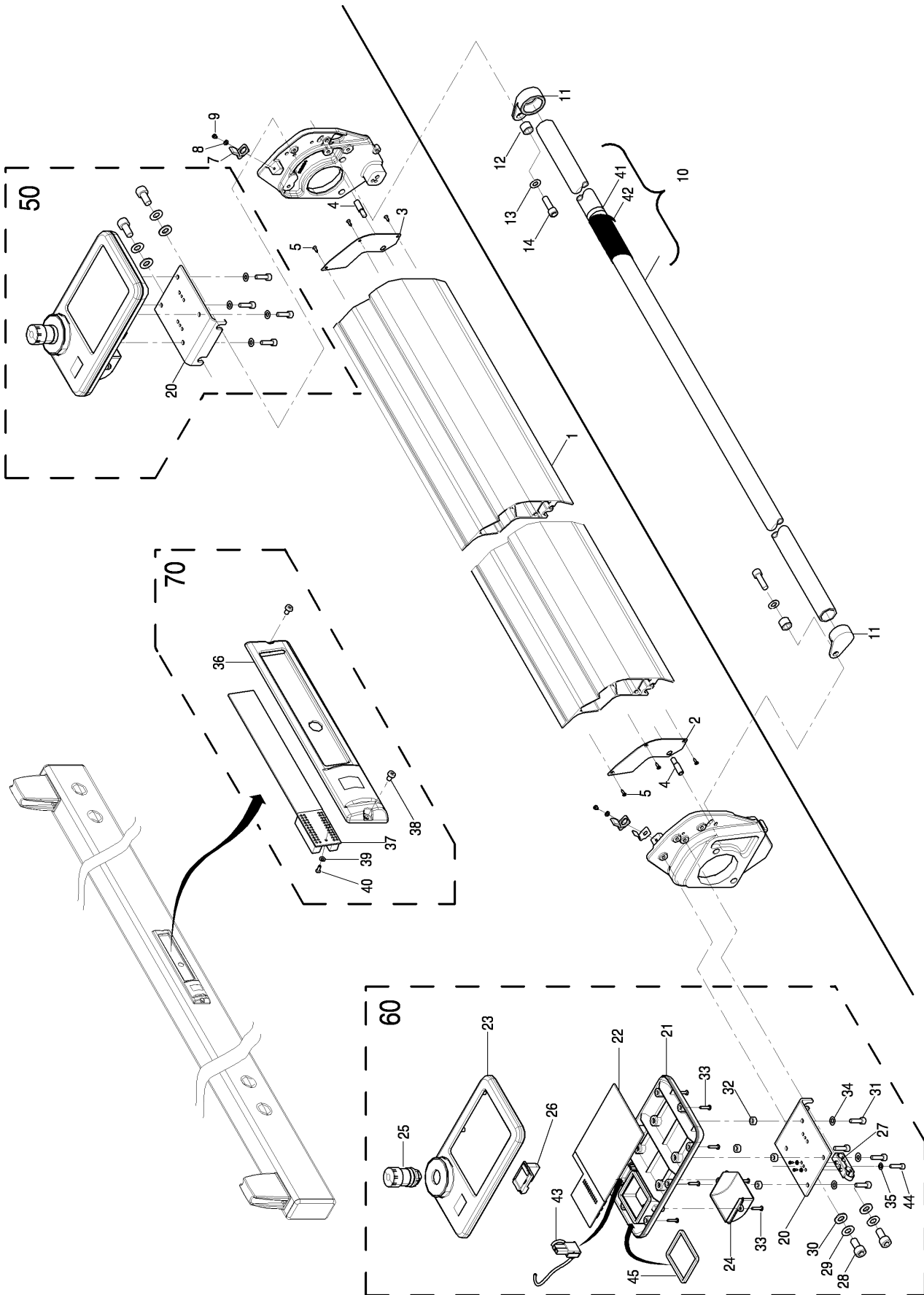
A9500	FABRIC WINDING FOR THE LOOMS (SUPPORT DOUBLE PRESSING ROLLER)	EA040-00
	Valid lots from to	09/11/2015



A9500	FABRIC WINDING FOR THE LOOMS (SUPPORT DOUBLE PRESSING ROLLER)	EA040-00
	Valid lots from to	09/11/2015

Pos.	Code	Widths	Remarks	Lots
1	110014027			
2	0124002		rond.piana d=11x30x2,5 iso7093-2 100hv zincata	
3	VM11057		molla tazza din.2093 31,5x16,3x 1,75	
4	0323011		ralla x cusc.ass.skf as 1730	
5	131230328			
6	131130188			
7	131130145			
8	131130146			
9	110107009			
10	0127001		rond.piana d=17 uni6592 zincata	
11	131130144			
12	0124001		rond.piana d=10,5 uni6592 zincata	
13	110014025			
14	110353003			
15	131130031			
16	2873138			
17	2558388			
18	VM11016		molla tazza din.2093 12,5x 6,2x 0,5	
19	0052012		vite tbei m6x8-8.8 iso7380 brunita	
20	131130061			
21	0238001		spina elastica 8x20 din1481	
22	131130147			
23	131130148			
24	0113005		dado m8 uni 7473 - 6s autobloccante	
25	0123001		rond.piana d=8,4 uni6592 zincata	
26	0023022		vite tcei m8x55-12.9 iso4762 brunita	
27	2140083			
28	2193134			
29	2340026			
30	0114007		dado m10 uni 7473 cl.8 autobloccant	
31	110014035			
32	2526335			
33	2500247			
34	2548176			
36	131230042			
37	131130150			
38	131130149			
39	0238017		spina elastica 8x30 din1481	
40	110004034			
41	0124000		rond.spec. 10,5x28x3 brunita	
42	2500968			
43	131130142			

A9500	FRONT PLATE - PUSHBUTTON PANEL	EA050-00
	Valid lots from to	31/07/2015



A9500	FRONT PLATE - PUSHBUTTON PANEL		EA050-00
	Valid lots from to		31/07/2015

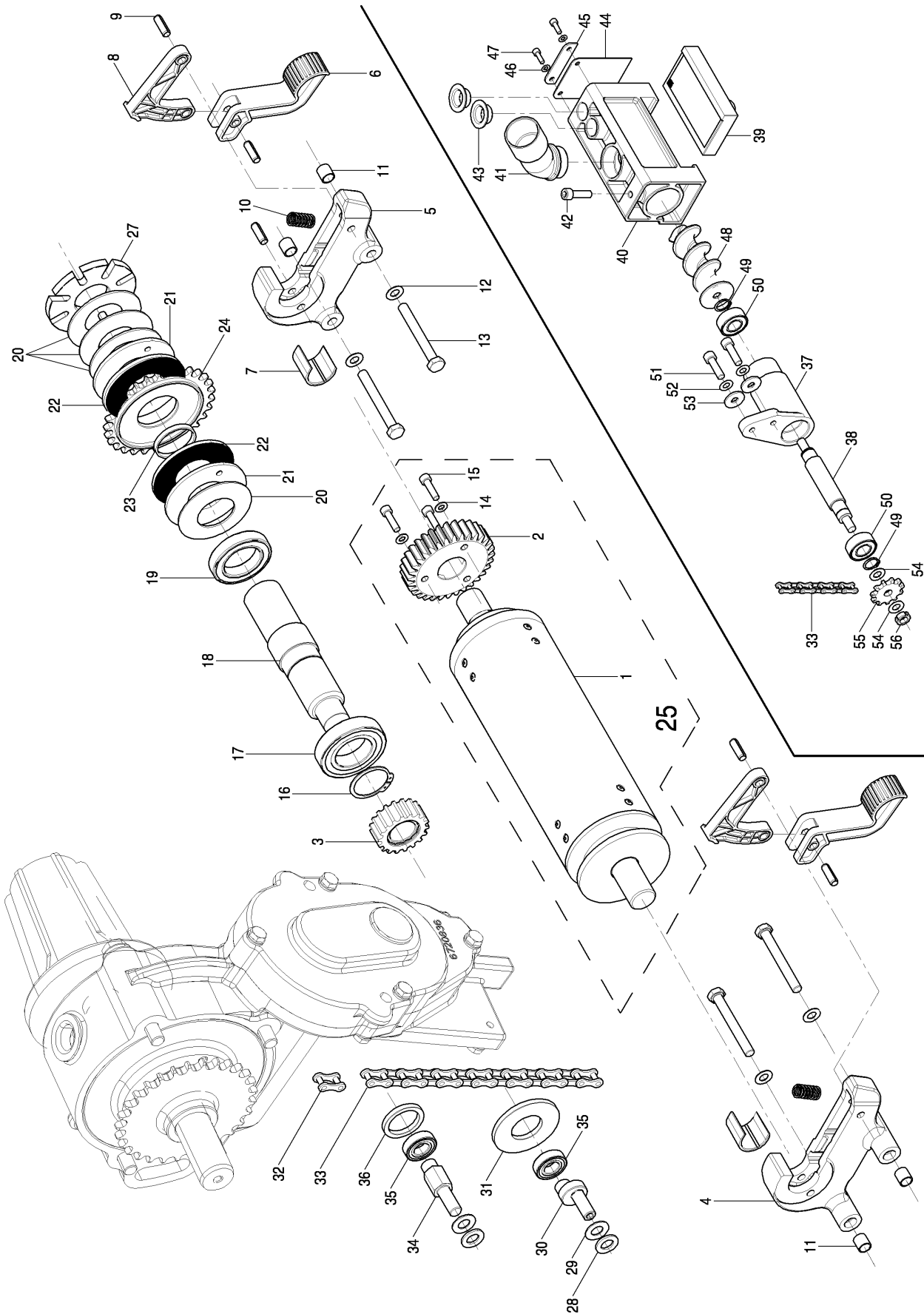
Pos.	Code	Widths	Remarks	Lots
1	131130129	1900		
1	131130130	2100		
1	131130131	2200		
1	131130132	2300		
1	131130133	2600		
1	131130134	2800		
1	131130135	3000		
1	131130141	3200		
1	131130136	3400		
1	131130137	3600		
2	131130107			
3	131130106			
4	131130108			
5	VV11595		v. autof. tsp-croce-din.7982:3,5x13 nich	
7	2558388			
8	VM11016		molla tazza din.2093 12,5x 6,2x 0,5	
9	0052012		vite tbei m6x8-8.8 iso7380 brunita	
10	131130050	1900		
10	131130051	2100		
10	131130052	2200		
10	131130053	2300		
10	131130054	2600		
10	131130055	2800		
10	131130056	3000		
10	131130057	3200		
10	131130058	3400		
10	131130059	3600		
11	SH2558170			
12	2140576			
13	VM11025		molla tazza din.2093 16x 8,2x 0,9	
14	VV16090		vite tcei m10x20-12.9 iso4762 brunita	
20	131180044			
21	131180038			
22	151180341			
23	131180037			
24	131180039			
25	0848081		pulsante a fungo rosso zb5-as834 schneider	
26	EEC656V			
27	131180048			
28	VV16090		vite tcei m10x20-12.9 iso4762 brunita	
29	0144002		molla a tazza 20x10,2x1,1 din2093	
30	0124001		rond.piana d=10,5 uni6592 zincata	
31	0022018		vite tcei m6x20-8.8 iso4762 brunita	
32	131180043			
33	VV11726		vite autof.t.c.-croce-7981:3,5x19 nich	
34	VM11016		molla tazza din.2093 12,5x 6,2x 0,5	
35	0141002		molla a tazza 10x5,2x0,5 din2093	
36	131180040			
37	151180342			
38	VV1850Z		vite tbei m5x8-8.8 iso7380 zincata	
39	0120003		rond.piana d=3,2 uni6592 zincata	
40	VV11715		v. autof.t.c.-croce-din.7981:2,9x 9,5 nich	
41	0473069		nast.ades.rinf.unidirez.19x50mt nastroflex nfx14	
42	0693009		rot.mt55nbe50x2,7cincla non biades. * Cincla-NBE-rubber shreath available in 50 m. packing units.	

A9500	FRONT PLATE - PUSHBUTTON PANEL		EA050-00
	Valid lots from to		31/07/2015

Pos.	Code	Widths	Remarks	Lots
43	151180365			
44	110021115			
45	131180042			
50	191180009			
60	191180008			
70	191180013			

A9500		
-------	--	--

A9500	CLOTH ROLLER		FA001-00
	Valid lots from YA01 to YC09		06/09/2016



A9500	CLOTH ROLLER		FA001-00
	Valid lots from YA01 to YC09		06/09/2016

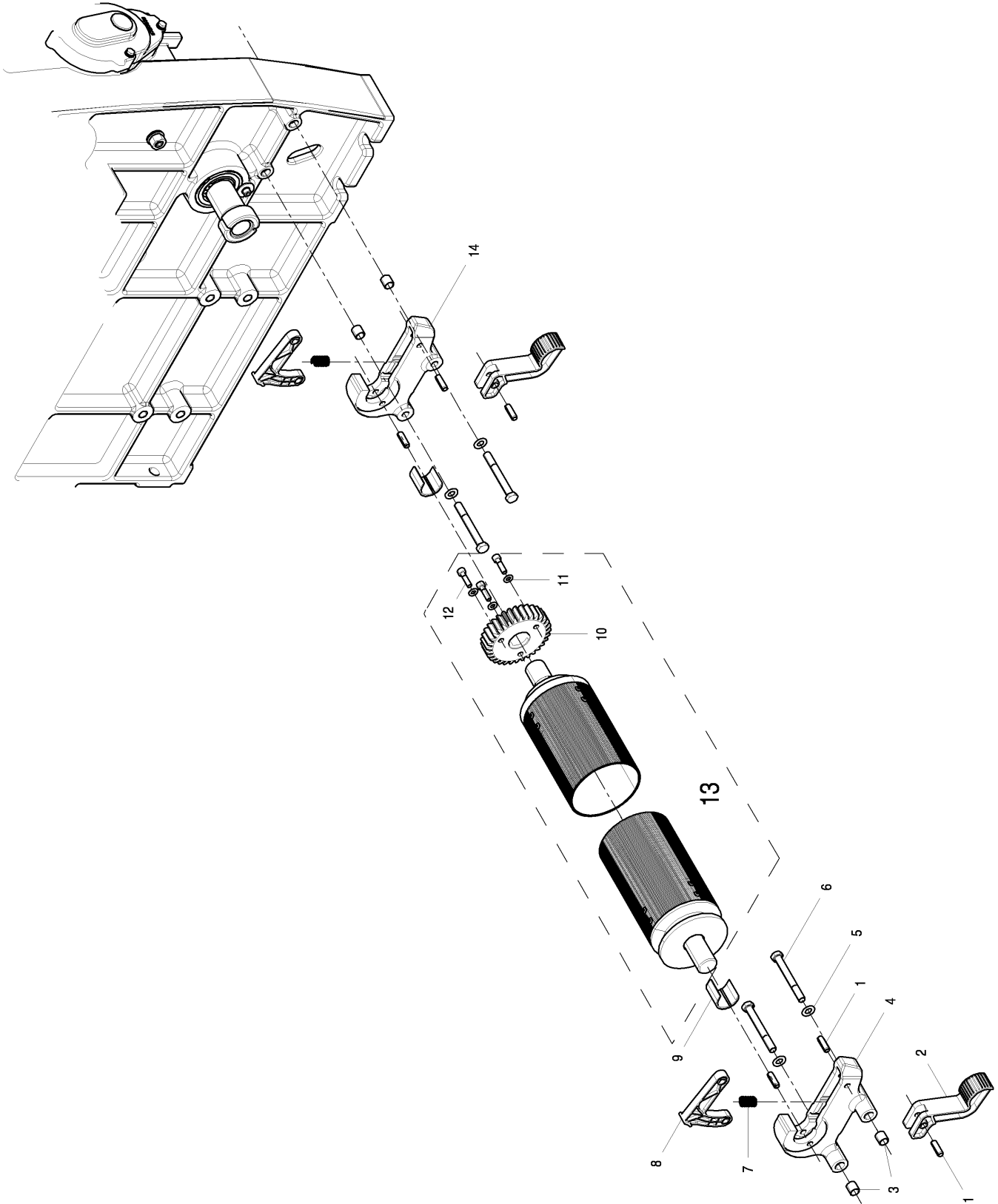
Pos.	Code	Widths	Remarks	Lots
1	131130001	1900		
1	131130002	2100		
1	131130003	2200		
1	131130004	2300		
1	131130005	2600		
1	131130006	2800		
1	131130007	3000		
1	131130008	3200		
1	131130009	3400		
1	131130010	3600		
2	SJ2070020			
3	2392132			
4	131130032			
5	131130033			
6	2658032			
7	2558280			
8	2658030			
9	0238006		spina elastica 10x30 din1481	
10	2193456			
11	0375000		anello interno jr 14x17x17	
12	VM11045		molla tazza din.2093 23x12,2x 1,25-262.600.068	
13	110005031			
14	0123001		rond.piana d=8,4 uni6592 zincata	
15	VV16216		vite tcei m8x30-12.9 iso4762 brunita	
16	VA10546		anello d'arresto d.50 din471	
17	0309003		cuscinet.6210-2rs a sfere 50x90x20	
18	131130035			
19	0309001		cuscin.6010-2rs rad.rig.sf.50x80x16	
20	VM11136		molla tazza din.2093 100x 51 x 2,7	
21	E8L182A			
22	EFE002D			
23	EPS008A			
24	HDA047A			
25	9162111	1900		
25	9162314	2100		
25	191230010	2200		
25	191230011	2300		
25	9162803	2600		
25	191230012	2800		
25	191230013	3000		
25	191230014	3200		
25	191230015	3400		
25	191230016	3600		
27	131130037			
28	0127001		rond.piana d=17 uni6592 zincata	
29	VM11057		molla tazza din.2093 31,5x16,3x 1,75	
30	131130036			
31	131130034			
32	0425003		maglia g.cat.sempl.1/2 x5/16 fkk190	
33	2691678			
34	131160056			
35	0304001		cuscin.6004-2rs rad.rig.sf.20x42x12	
36	131130109			
37	131160055			
38	131160053			

A9500	CLOTH ROLLER			FA001-00
	Valid lots from YA01 to YC09			06/09/2016

Pos.	Code	Widths	Remarks	Lots
39	QADP11A			
40	QEDP09B			
41	QEDP018			
42	0024011		vite tcei m10x35 uni5931 cl8.8 zincata	
43	ED6010A			
44	QEDP15A			
45	QEDP16A			
46	VM11016		molla tazza din.2093 12,5x 6,2x 0,5	
47	0022005		vite tcei m6x18 u5931 cl8.8 zincata	
48	131160051			
49	0184001		anello elastico per alberi d=20 din471	
50	ECS0515		cus.c.rad.a sfere 63004-2rs1	
51	0024011		vite tcei m10x35 uni5931 cl8.8 zincata	
52	VM11036		molla tazza din.2093 20x10,2x 0,8	
53	VR17005		rond.piana din 9021 d.30x10,5x3 zn	
54	VM11045		molla tazza din.2093 23x12,2x 1,25-262.600.068	
55	131160052			
56	0115000		ghiera autofrenante guk m12x1	

A9500		
-------	--	--

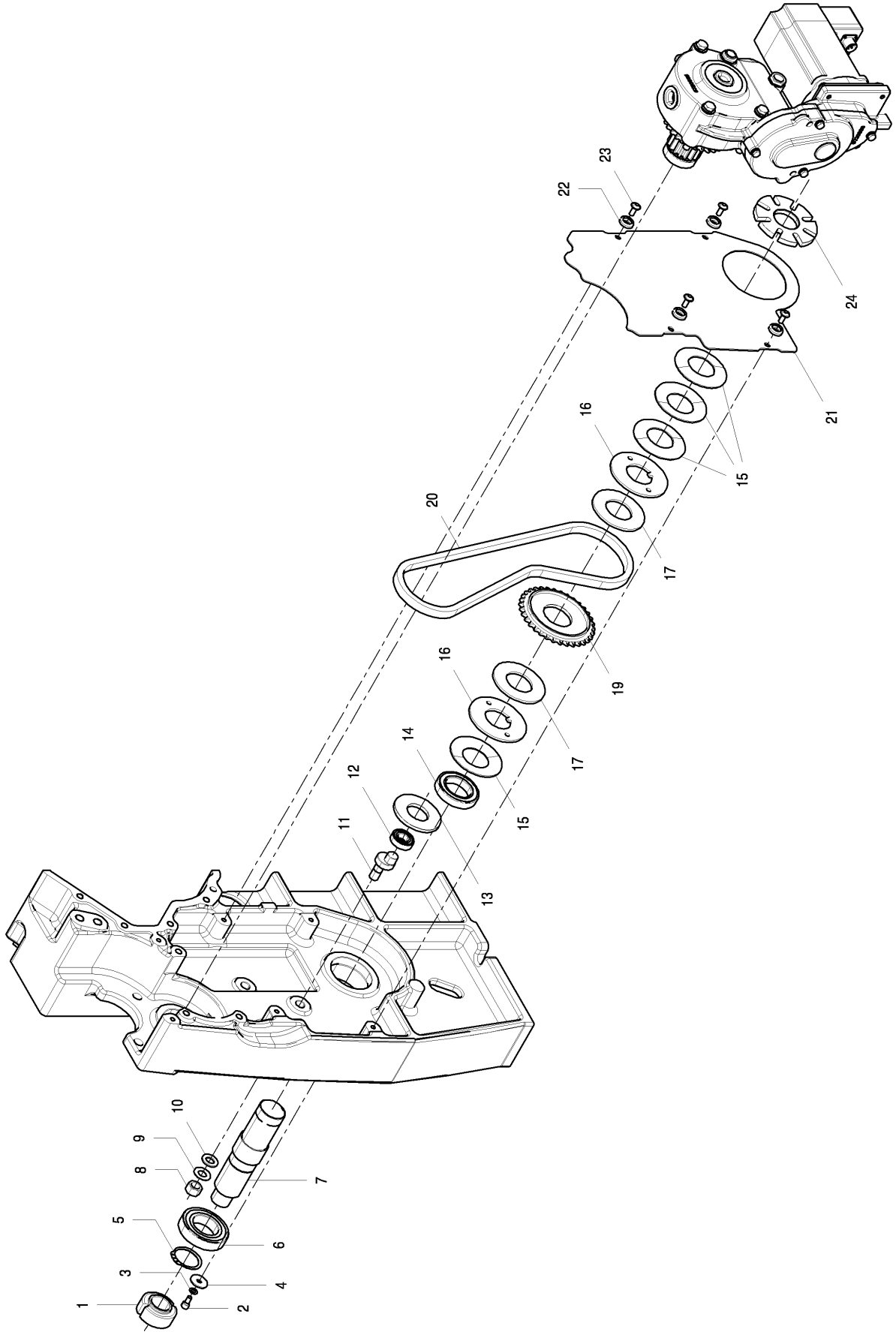
A9500	CLOTH ROLLER TAKE-UP			FA002-00
	Valid lots	from YC10	to	06/09/2016



A9500	CLOTH ROLLER TAKE-UP			FA002-00
	Valid lots from YC10 to			06/09/2016

Pos.	Code	Widths	Remarks	Lots
1	0238006		spina elastica 10x30 din1481	
2	2658032			
3	0375000		anello interno jr 14x17x17	
4	131130032			
5	VM11045		molla tazza din.2093 23x12,2x 1,25-262.600.068	
6	110005031			
7	2193456			
8	2658030			
9	2558280			
10	131130166			
11	0123001		rond.piana d=8,4 uni6592 zincata	
12	VV16216		vite tcei m8x30-12.9 iso4762 brunita	
13	9162111	1900		
13	9162314	2100		
13	191230010	2200		
13	191230011	2300		
13	9162803	2600		
13	191230012	2800		
13	191230013	3000		
13	191230014	3200		
13	191230015	3400		
13	191230016	3600		
14	131130033			

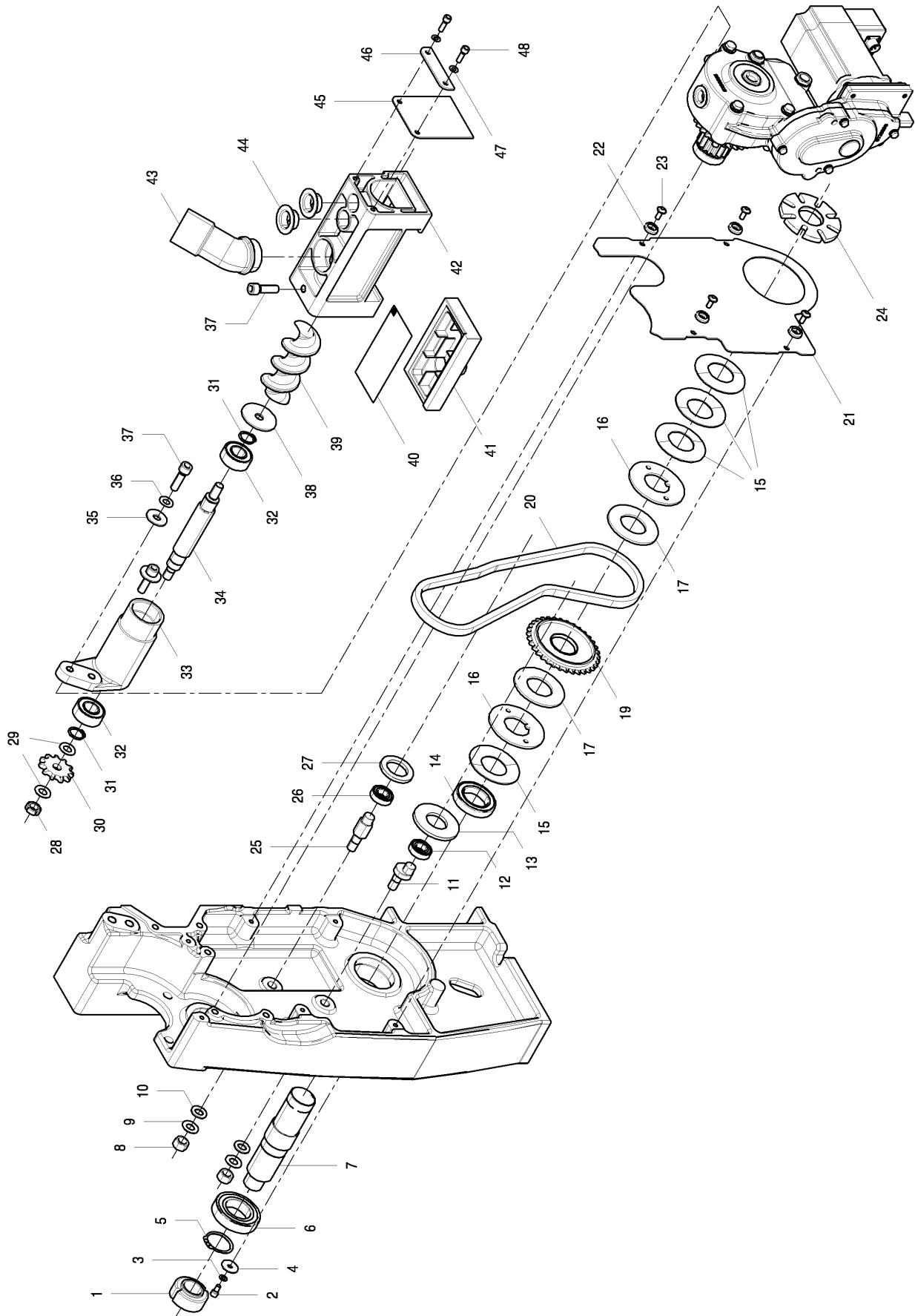
A9500	CLOTH ROLLER WITHOUT COMPACTOR	FA003-00
	Valid lots from YC10 to	09/10/2015



A9500	CLOTH ROLLER WITHOUT COMPACTOR			FA003-00
	Valid lots from YC10 to			09/10/2015

Pos.	Code	Widths	Remarks	Lots
1	2392132			
2	110023074			
3	VM11022		molla a tazza din.2093 15x8.2x0.7	
4	VR17023		rondelle piane special.de.32x 9x2,5 zn.	
5	VA10546		anello d'arresto d.50 din471	
6	0309003		cuscinet.6210-2rs a sfere 50x90x20	
7	131130035			
8	110107009			
9	VM11057		molla tazza din.2093 31,5x16,3x 1,75	
10	0127001		rond.piana d=17 uni6592 zincata	
11	131130036			
12	0304001		cuscin.6004-2rs rad.rig.sf.20x42x12	
13	131130034			
14	0309001		cuscin.6010-2rs rad.rig.sf.50x80x16	
15	VM11136		molla tazza din.2093 100x 51 x 2,7	
16	E8L182A			
17	2149002			
19	131130154			
20	131130160			
21	131130103			
22	2558264			
23	0023049		vite tcbei con flang.m8x20 cl.10,9 brunita	
24	131130037			

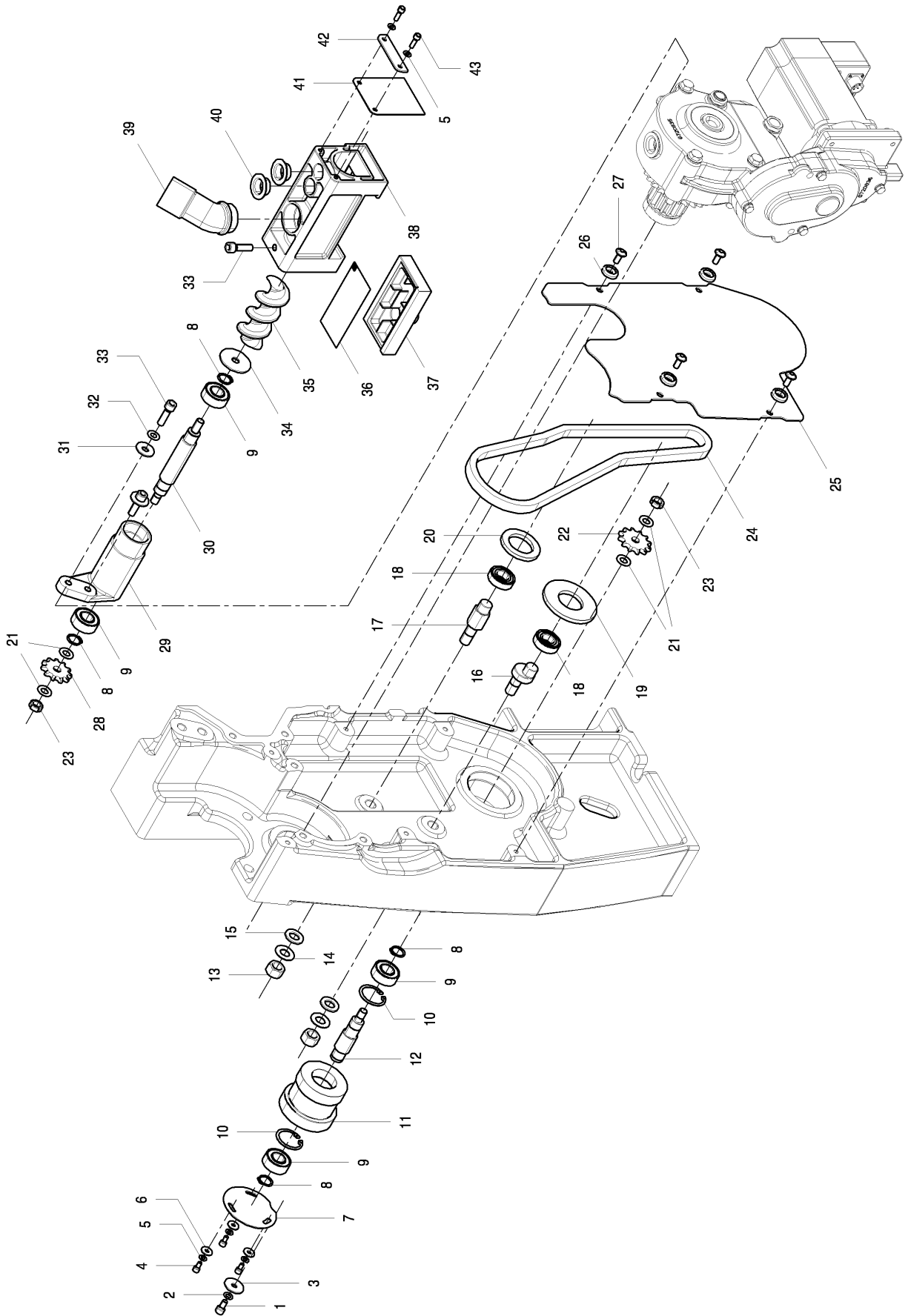
A9500	CLOTH ROLLER WITH COMPACTOR		FA004-00
	Valid lots from YC10 to		09/10/2015



A9500	CLOTH ROLLER WITH COMPACTOR			FA004-00
	Valid lots from YC10 to			09/10/2015

Pos.	Code	Widths	Remarks	Lots
1	2392132			
2	110023074			
3	VM11022		molla a tazza din.2093 15x8.2x0.7	
4	VR17023		rondelle piane special.de.32x 9x2,5 zn.	
5	VA10546		anello d'arresto d.50 din471	
6	0309003		cuscinet.6210-2rs a sfere 50x90x20	
7	131130035			
8	110107009			
9	VM11057		molla tazza din.2093 31,5x16,3x 1,75	
10	0127001		rond.piana d=17 uni6592 zincata	
11	131130036			
12	0304001		cuscin.6004-2rs rad.rig.sf.20x42x12	
13	131130034			
14	0309001		cuscin.6010-2rs rad.rig.sf.50x80x16	
15	VM11136		molla tazza din.2093 100x 51 x 2,7	
16	E8L182A			
17	2149002			
19	191130189			
20	131130160			
21	131130103			
22	2558264			
23	0023049		vite tcbei con flang.m8x20 cl.10,9 brunita	
24	131130037			
25	131160056			
26	0304001		cuscin.6004-2rs rad.rig.sf.20x42x12	
27	131130109			
28	0115000		ghiera autofrenante guk m12x1	
29	VM11045		molla tazza din.2093 23x12,2x 1,25-262.600.068	
30	131160052			
31	0184001		anello elastico per alberi d=20 din471	
32	ECS0515		usc.rad.a sfere 63004-2rs1	
33	131160055			
34	131160053			
35	0124002		rond.piana d=11x30x2,5 iso7093-2 100hv zincata	
36	VM11036		molla tazza din.2093 20x10,2x 0,8	
37	110024055			
38	131160054			
39	131160051			
40	QEDP11B			
41	QEDP10C			
42	QEDP09B			
43	QEDP018			
44	ED6010A			
45	QEDP15A			
46	QEDP16A			
47	VM11016		molla tazza din.2093 12,5x 6,2x 0,5	
48	0022018		vite tcei m6x20-8.8 iso4762 brunita	

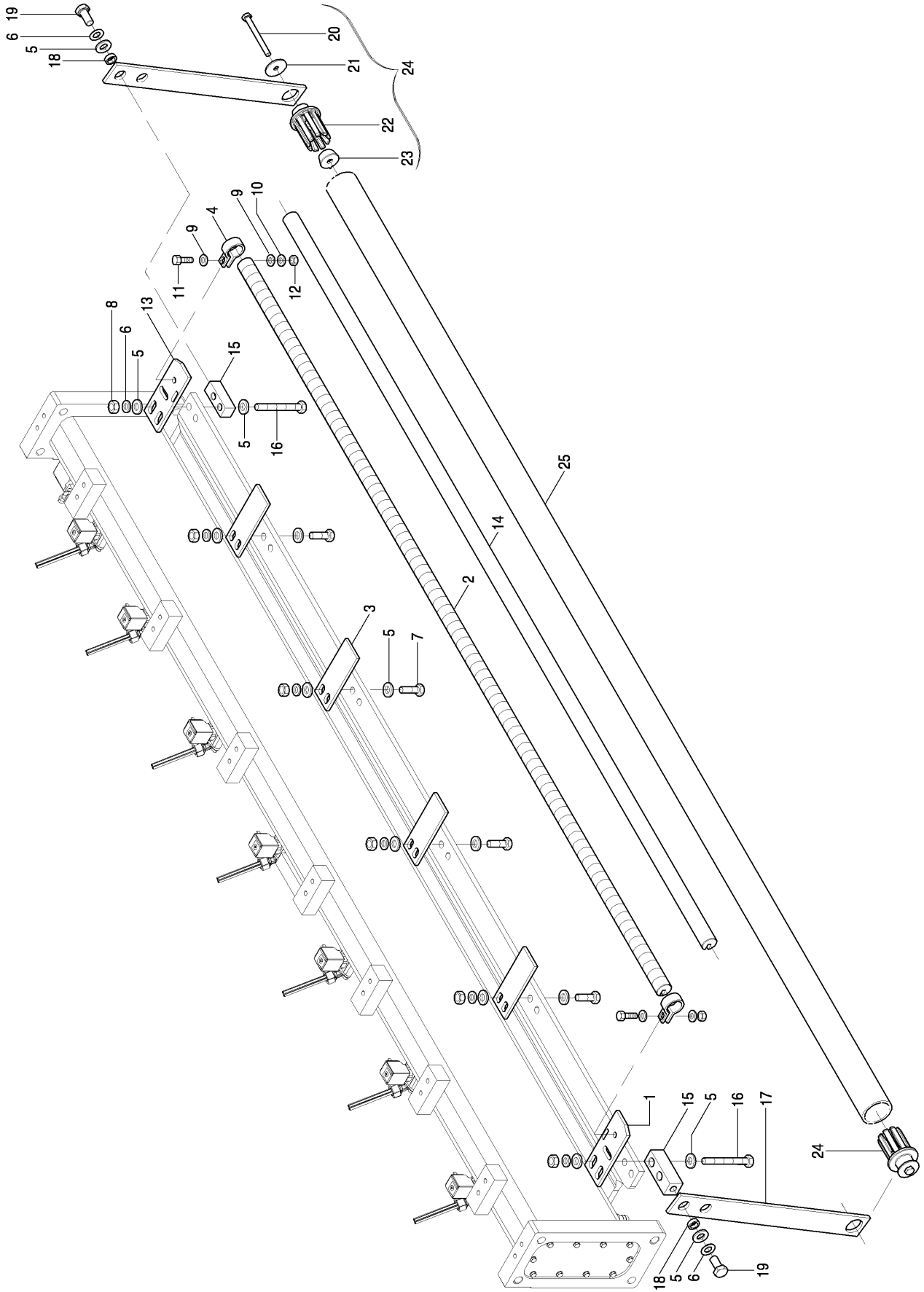
A9500	EXTERNAL CLOTH ROLLER WITH COMPACTOR	FA006-00
	Valid lots from YC10 to	08/10/2015



A9500	EXTERNAL CLOTH ROLLER WITH COMPACTOR	FA006-00
	Valid lots from YC10 to	08/10/2015

Pos.	Code	Widths	Remarks	Lots
1	110023074			
2	VM11022		molla a tazza din.2093 15x8.2x0.7	
3	VR17023		rondelle piane special.de.32x 9x2,5 zn.	
4	110022102			
5	VM11016		molla tazza din.2093 12,5x 6,2x 0,5	
6	0122002		rond.spec.d=6,5x18sp.2 u6593 zincata	
7	131130156			
8	0184001		anello elastico per alberi d=20 din471	
9	ECS0515		cusc.rad.a sfere 63004-2rs1	
10	0194002		anello elastico di sic.per fori d=42 uni7437din472	
11	131130155			
12	131130157			
13	110107009			
14	VM11057		molla tazza din.2093 31,5x16,3x 1,75	
15	0127001		rond.piana d=17 uni6592 zincata	
16	131130036			
17	131160056			
18	0304001		cuscin.6004-2rs rad.rig.sf.20x42x12	
19	131130034			
20	131130109			
21	VM11045		molla tazza din.2093 23x12,2x 1,25-262.600.068	
22	131130159			
23	0115000		ghiera autofrenante guk m12x1	
24	131130161			
25	131130158			
26	2558264			
27	0023049		vite tcei con flang.m8x20 cl.10,9 brunita	
28	131160052			
29	131160055			
30	131160053			
31	0124002		rond.piana d=11x30x2,5 iso7093-2 100hv zincata	
32	VM11036		molla tazza din.2093 20x10,2x 0,8	
33	110024055			
34	131160054			
35	131160051			
36	QEDP11B			
37	QEDP10C			
38	QEDP09B			
39	QEDP018			
40	ED6010A			
41	QEDP15A			
42	QEDP16A			
43	0022018		vite tcei m6x20-8.8 iso4762 brunita	

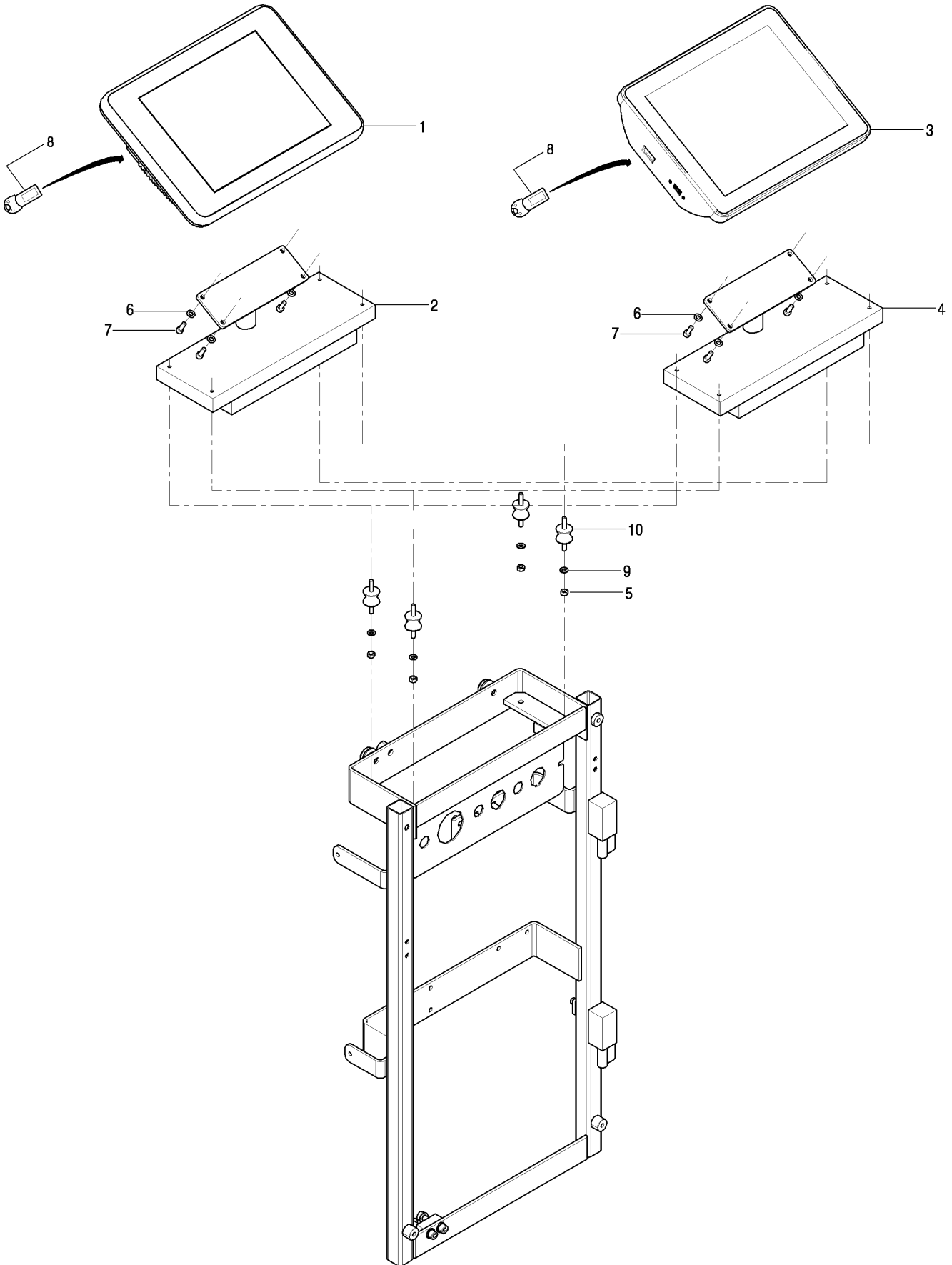
A9500	SPREAD BAR-SMOOTH ANTICREASE BAR	FA010-00
	Valid lots from to	31/07/2015



A9500	SPREAD BAR-SMOOTH ANTICREASE BAR		FA010-00
	Valid lots from to		31/07/2015

Pos.	Code	Widths	Remarks	Lots
1	QEH1BWA			
2	QEH14AA	1900	Threaded bar.	
2	QEH14BA	2100	Threaded bar.	
2	QEH141A	2200	Threaded bar.	
2	QEH14CA	2300	Threaded bar.	
2	131130111	2600	Threaded bar.	
2	131130112	2800	Threaded bar.	
2	131130113	3000	Threaded bar.	
2	131130174	3200	Threaded bar.	
2	131130114	3400	Threaded bar.	
2	131130115	3600	Threaded bar.	
3	QEH10TA			
4	HH1468B			
5	VR14110		rondella bisellata din 1440 d.13 zn.	
6	VM11045		molla tazza din.2093 23x12,2x 1,25-262.600.068	
7	110025058			
8	VD13028		dado esag. m12 uni5588 cl.8 zincato	
9	VR14105		rond.bisell.d.10,5 din1440 zincata	
10	VM11036		molla tazza din.2093 20x10,2x 0,8	
11	110025054			
12	VD13023		dado esag. m 10 uni5588 cl.8 zincato	
13	QEH1BWA	1900-2300		
13	QEH116A	2600-3600		
14	QEH14LA	1900	Smooth bar.	
14	QEH14MA	2100	Smooth bar.	
14	QEH14XA	2200	Smooth bar.	
14	QEH14NA	2300	Smooth bar.	
14	131130167	2600	Smooth bar.	
14	131130168	2800	Smooth bar.	
14	131130171	3000	Smooth bar.	
14	131130172	3200	Smooth bar.	
14	131130169	3400	Smooth bar.	
14	131130170	3600	Smooth bar.	
15	131130046			
16	110015028			
17	131130047			
18	131130048			
19	110015020			
20	110013038			
21	2140867			
22	2148210			
23	2146002			
24	9160042			
25	2740040	1900		
25	2740042	2100		
25	131130120	2200		
25	2740044	2300		
25	2740046	2600		
25	131130123	2800		
25	131130124	3000		
25	131230005	3200		
25	131130125	3400		
25	131130126	3600		

A9500	CONSOLE		GA001-00
	Valid lots from to		28/10/2015

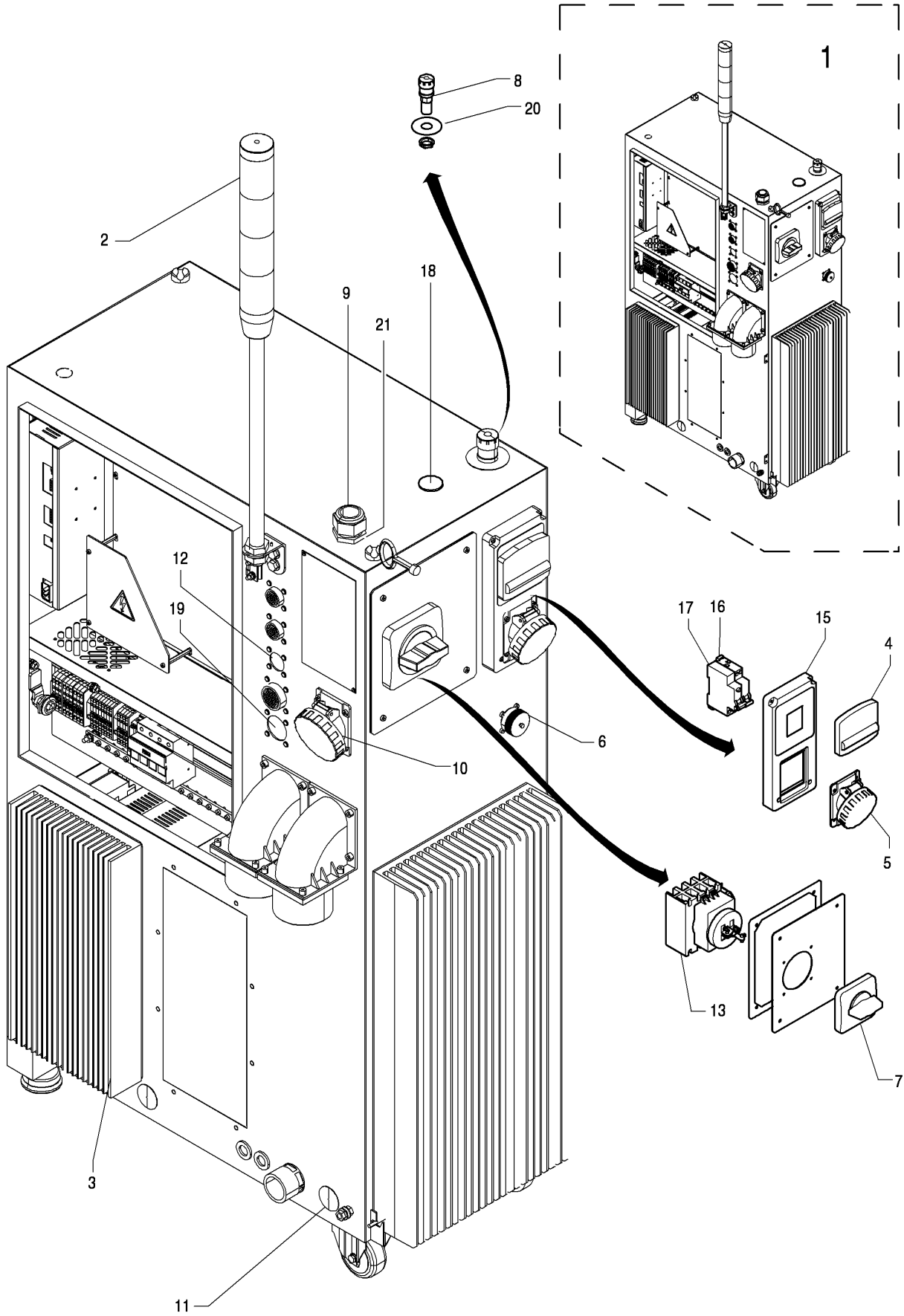


A9500	CONSOLE		GA001-00
	Valid lots from to		28/10/2015

Pos.	Code	Widths	Remarks	Lots
------	------	--------	---------	------

1	151180000			
2	131150059			
3	151181812			
4	131150138			
5	110102010			
6	VM11016		molla tazza din.2093 12,5x 6,2x 0,5	
7	110022103			
8	151180313			
9	0122001		rond.piana d=6,4 uni6592 zincata	
10	C9P9006			

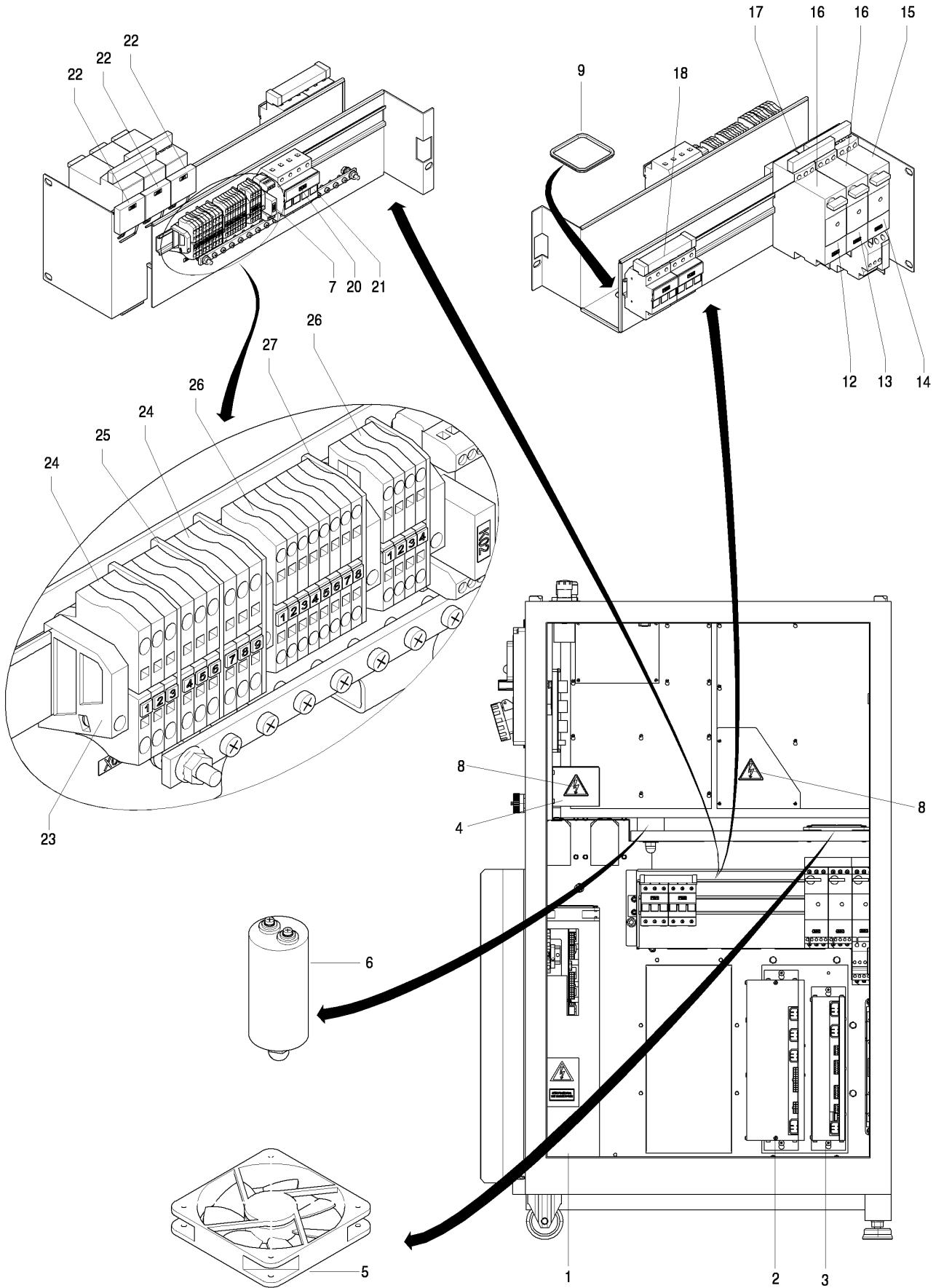
A9500	MAIN ELECTRICAL BOX		GA010-00
	Valid lots from to		28/07/2015



A9500	MAIN ELECTRICAL BOX		GA010-00
	Valid lots from to		28/07/2015

Pos.	Code	Widths	Remarks	Lots
1	1115025.1			
2	151180263			
3	131180021			
4	0829029		kit interfaccia 90x100 unika 13045 schneider	
5	EEP609H			
6	EET0210			
7	0846276		maniglia rotativa nera ezarote merlin gerin	
8	110848088			
9	110825149			
10	EEP609K			
11	VT10006		tappo a scatto heyco dp-1250 per foro d=31,7	
12	2563594			
13	0846274		interruttore 3p 40a ezc100n3040 merlin gerin * 3-Pole	
13	0846275		interruttore 4p 40a ezc100n4040 merlin gerin * 4-Pole	
15	0829028		placca 2 aperture unika 13047 schneider	
16	0846262		blocco diff.schn.1p+n 30ma 25a a9n19450	
17	0846261		interr.schneider 1p+n 16a a9n17573	
18	EET018A			
19	2563063			
20	EET027A			
21	110827047			

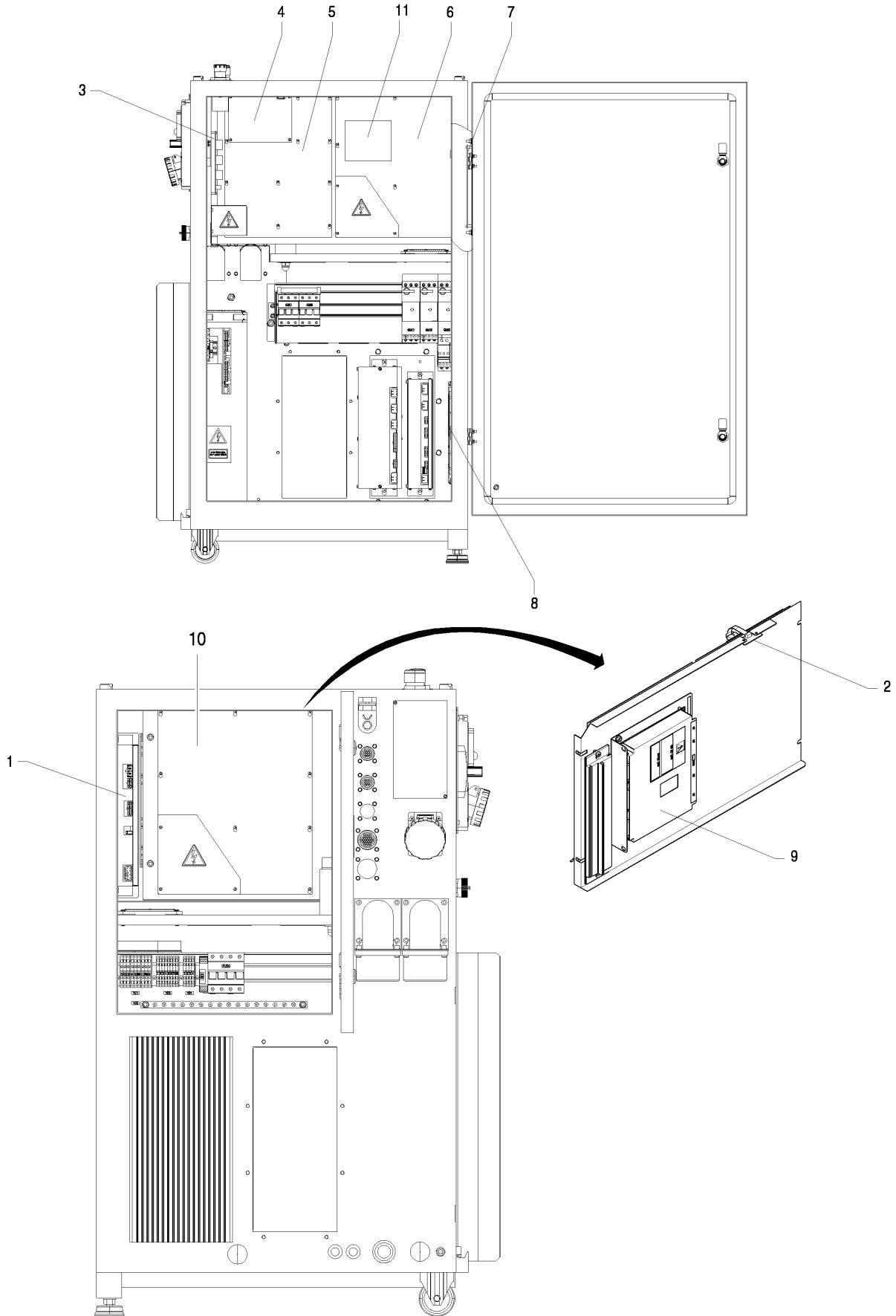
A9500	MAIN ELECTRICAL BOX - COMPONENTS	GA015-00
	Valid lots from to	10/11/2015



A9500	MAIN ELECTRICAL BOX - COMPONENTS		GA015-00
	Valid lots from to		10/11/2015

Pos.	Code	Widths	Remarks	Lots
1	151180325			
2	151180010			
3	151180020		Let-off with brushless motor 4 Nm	
3	151280397		Let-off with brushless motor 6 Nm	
4	131180019			
5	A1E540A			
6	EEC616E			
7	EEM566M			
8	110884001			
9	110825140			
12	0842058		unita' 0,35-1,4a tesys luca1x-bl schneiderer	
13	0842059		unita' 1,25-5a tesys luca05-bl schneider	
14	0842060		unita' 3-12a tesys luca12-bl schneider	
15	0842062		base 2 sensi 12a tesys lu2b12-bl schneider	
16	0842061		base 1 senso 12a tesys lub12 schneider	
17	EEB1499			
18	EEB1494			
20	EEP5744			
21	EEF8390			
22	EEF40B9			
23	EEB4503			
24	EEM599N			
25	EEP33AG			
26	EEM5992			
27	EEP33A1			

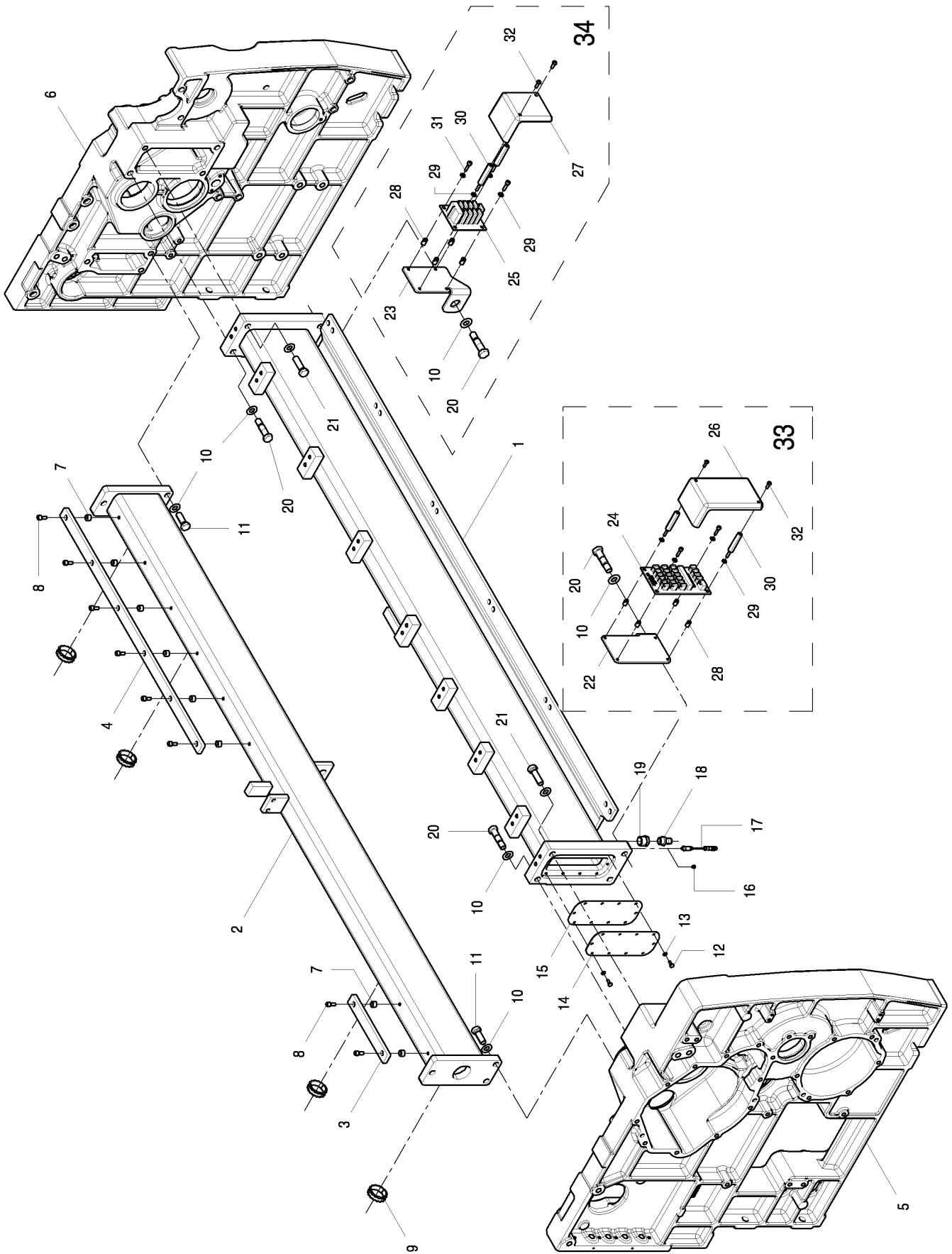
A9500	MAIN ELECTRICAL BOX - CARDS	GA020-00
	Valid lots from to	31/07/2015



A9500	MAIN ELECTRICAL BOX - CARDS		GA020-00
	Valid lots from to		31/07/2015

Pos.	Code	Widths	Remarks	Lots
1	151180438		TCM	YC12
1	151181815		TCM	YD01
2	151180009		I2C	
3	A2EN02A		SPH	
4	151180008		PMU	
5	151180007		CBB	
6	151180012		SJB	
7	151180014		CDD	
8	151180262		BTB	
9	151180262		BTB	
10	151180448		OJB	
11	151181902		RTC	

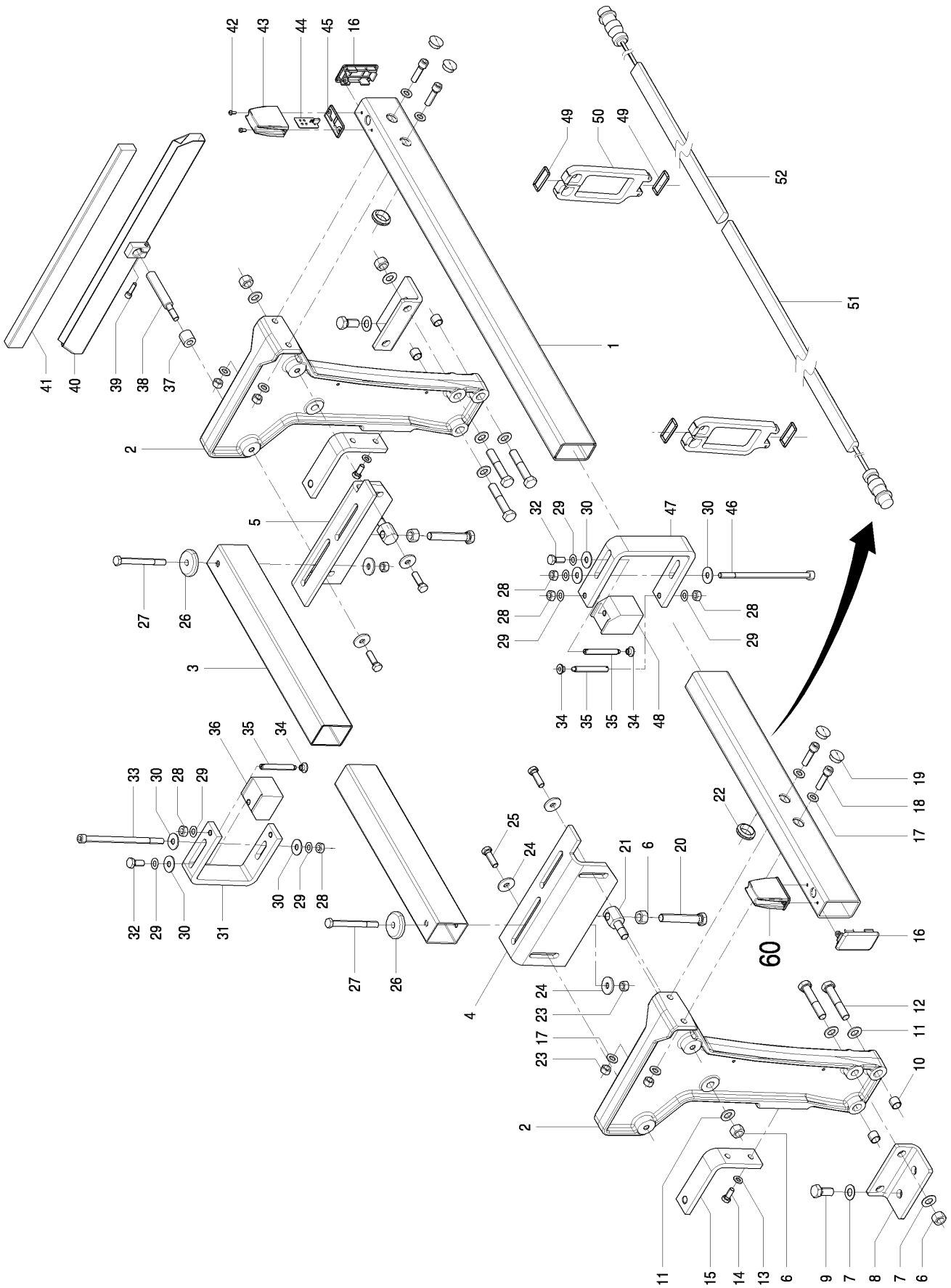
A9500	MAIN AND SECONDARY CROSSBAR	HA001-00
	Valid lots from to	26/11/2015



A9500	MAIN AND SECONDARY CROSSBAR		HA001-00
	Valid lots from to		26/11/2015

Pos.	Code	Widths	Remarks	Lots
1	191110009	1900		
1	191110010	2100		
1	191110011	2200		
1	191110012	2300		
1	191110122	2600		
1	191110123	2800		
1	191110124	3000		
1	191110405	3200		
1	191110125	3400		
1	191110126	3600		
2	191110004	1900		
2	191110005	2100		
2	191110006	2200		
2	191110007	2300		
2	191110087	2600		
2	191110088	2800		
2	191110089	3000		
2	191110090	3200		
2	191110091	3400		
2	191110092	3600		
3	131110231	1900÷2300		
3	QEH18PA	2600÷3600		
4	QEH18QA			
5	131110006			
6	131110009			
7	QEH18NA			
8	110023075			
9	2548698			
10	VM11057		molla tazza din.2093 31,5x16,3x 1,75	
11	110017027			
12	110012028			
13	VM11016		molla tazza din.2093 12,5x 6,2x 0,5	
14	131150000			
15	131110109			
16	CPNT220			
17	151180264			
18	CPNP11B			
19	0482146		raccordo 2530 3/4-1/2	
20	131110134			
21	110017029			
22	131180024			
23	131180086			
24	151181860			
25	151181861			
26	131150001			
27	131180087			
28	110827045			
29	0121001		rond.piana d=4,3 uni6592 zincata	
30	131180025			
31	0021004		vite tcei m4x16 u5931 cl8.8 zincata	
32	VV18509		vite tbei m4x12-10.9 iso7380 zincata	
33	191180002			
34	191180018		Valid parts just for looms A9500P.	

A9500	SHOULDERS AND CROSS BARS FOR JACQUARD VERSION - LED LAMPS	HA005-00
	Valid lots from to	30/05/2017



A9500	SHOULDERS AND CROSS BARS FOR JACQUARD VERSION - LED LAMPS	HA005-00
	Valid lots from to	30/05/2017

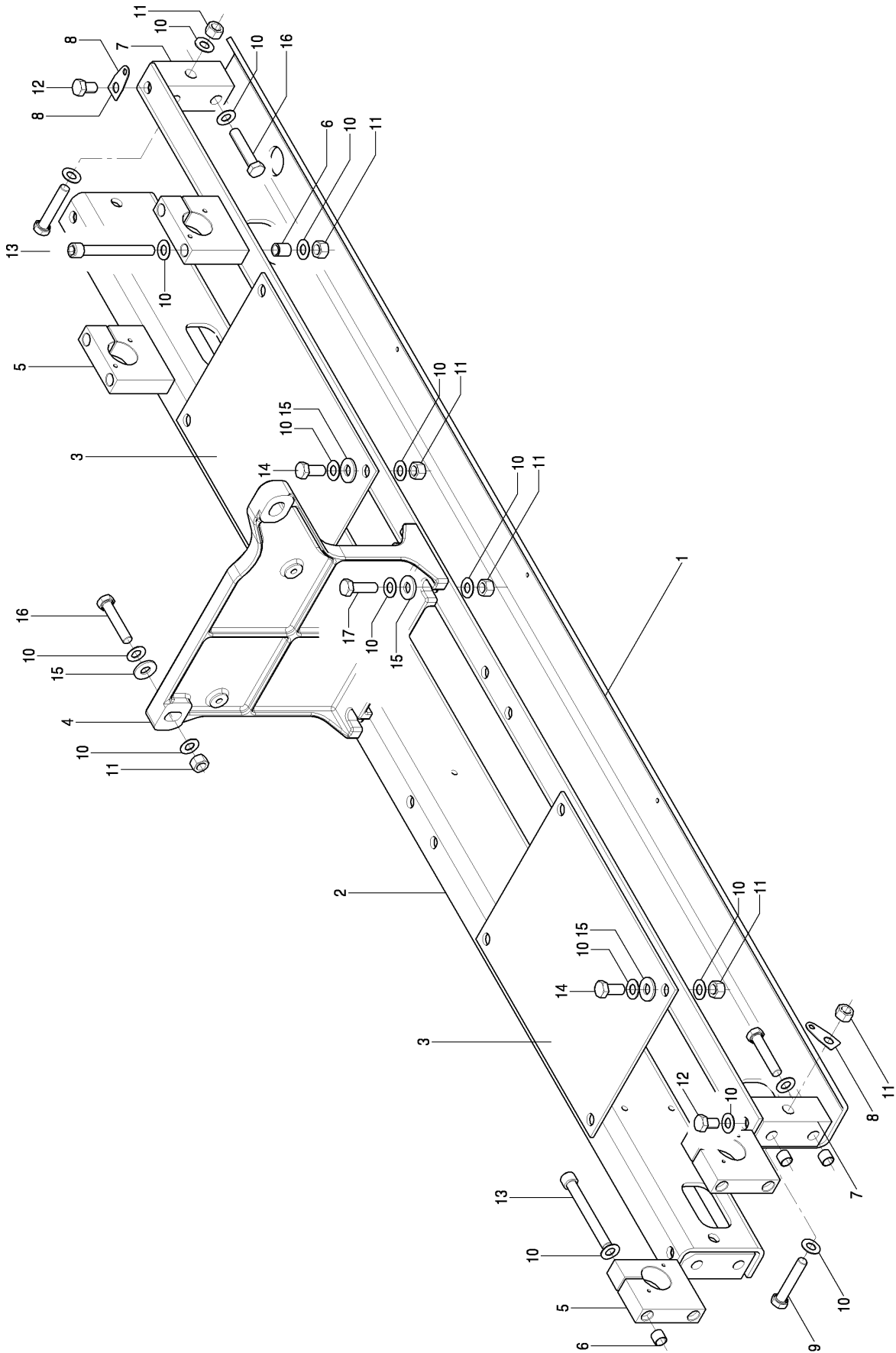
Pos.	Code	Widths	Remarks	Lots
1	131110149	1900		
1	131110150	2100		
1	131110151	2200		
1	131110152	2300		
1	131110153	2600		
1	131110154	2800		
1	131110155	3000		
1	131110206	3200		
1	131110156	3400		
1	131110157	3600		
2	131210191			
3	131210221	1900		
3	131210222	2100		
3	131210223	2200		
3	131210224	2300		
3	131210225	2600		
3	131210226	2800		
3	131210227	3000		
3	131210228	3200		
3	131210229	3400		
3	131210230	3600		
4	131210238			
5	131210239			
6	110107009			
7	VM11057		molla tazza din.2093 31,5x16,3x 1,75	
8	131140113			
9	110017025			
10	0375036		anello interno jr17x20x16,5	
11	0127001		rond.piana d=17 uni6592 zincata	
12	110007000			
13	0124001		rond.piana d=10,5 uni6592 zincata	
14	110014025			
15	131170011			
16	131110171			
17	0125001		rond.piana d=13 uni6592 zincata	
18	110025059			
19	VT10012		tappo a scatto heyco dp1000/2713	
20	110017035			
21	131210232			
22	0825037		passacavo neoprene elektroz. da 300-350-40 nero	
23	110105013			
24	0125002		rond.spec.d=12,5x36x4 ferro zincata	
25	110015023			
26	2140890			
27	110005033			
28	0104001		dado esag. m10 uni5588 cl.8 zincato	
29	VM11036		molla tazza din.2093 20x10,2x 0,8	
30	VR17010		rondelle piane special.de.30x11x2 zn.	
31	QEL506A			
32	0014002		vite te m10x25 u5739 cl8.8 zincata	
33	VV1610F		vite tcei m10x180 uni5931 cl8.8 zincata	
34	VM01301		spintore elesa gn 631-18-7,8	
35	VM01300		vite di blocc. elesa gn 632-m10x80	
36	LEL51PA			
37	LEPL36A			

A9500	SHOULDERS AND CROSS BARS FOR JACQUARD VERSION - LED LAMPS	HA005-00
	Valid lots from to	30/05/2017

Pos.	Code	Widths	Remarks	Lots
38	2110756			
39	110023077			
40	2680620			
41	2509080			
42	0051021		vite tbei m5x12-10.9 iso7380 brunita	
43	131180031			
44	151180013			
45	131180032			
46	VV1610G		vite tcei m10x200 uni5931 cl8.8 zincata	
47	131140111			
48	LEL51NA			
49	0384000		anello tenuta or3087 21,89x2,62 fkm 75	
50	131210194			
51	9850917	1700		
51	9850829	1900÷2100		
51	9850828	2200÷2300		
51	9850918	2600÷3000		
51	9850917	3200÷3800		
52	9850828	2600÷2800		
52	9850918	3000÷3200		
52	9850917	3400÷3600		
52	9850829	3800		
60	151180270			

A9500		
-------	--	--

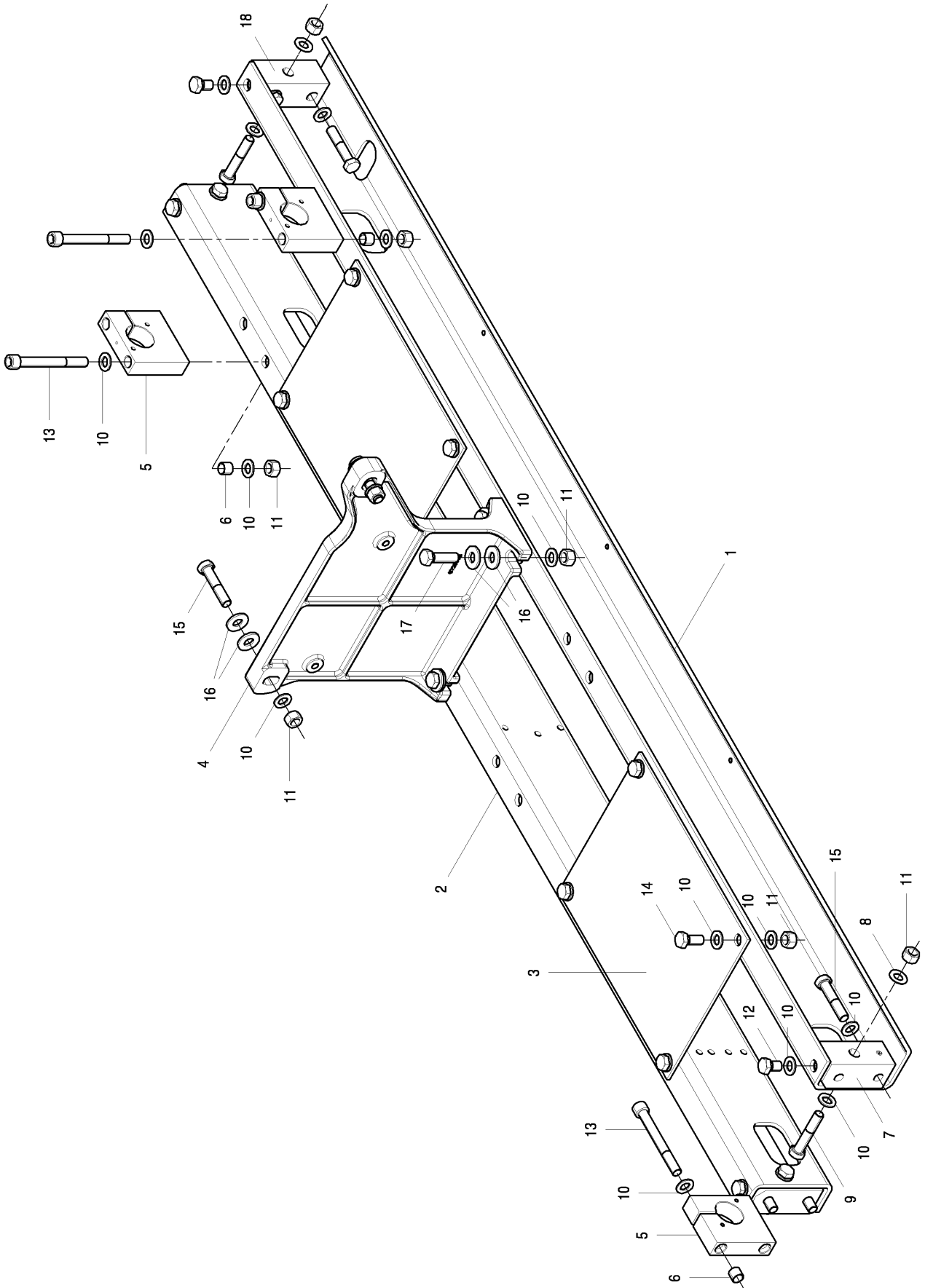
A9500	2-BRIDGE TIE-ROD SUPPORTS (1900-2600) FOR LOOMS WITH DOBBY AND EXTERNAL TAPPET MOTION	HA010-00
	Valid lots from to YC11	10/11/2015



A9500	2-BRIDGE TIE-ROD SUPPORTS (1900-2600) FOR LOOMS WITH DOBBY AND EXTERNAL TAPPET MOTION		HA010-00
	Valid lots from to YC11		10/11/2015

Pos.	Code	Widths	Remarks	Lots
1	131140002	1900		
1	131140023	2100		
1	131140077	2200		
1	131140003	2300		
2	131140004	1900		
2	131140026	2100		
2	131140097	2200		
2	131140005	2300		
3	131140016			
4	131140013			
5	131140015			
6	0375036		anello interno jr17x20x16,5	
7	131140014			
8	131180034			
9	110007000			
10	VM11057		molla tazza din.2093 31,5x16,3x 1,75	
11	110107009			
12	110017041			
13	VV16132		vite tcei m16x140 iso4762 cl.12.9 brunita	
14	110017025			
15	0127002		rond.spec.d=17x38x4 ferro zincata	
16	110007024			
17	110017028			

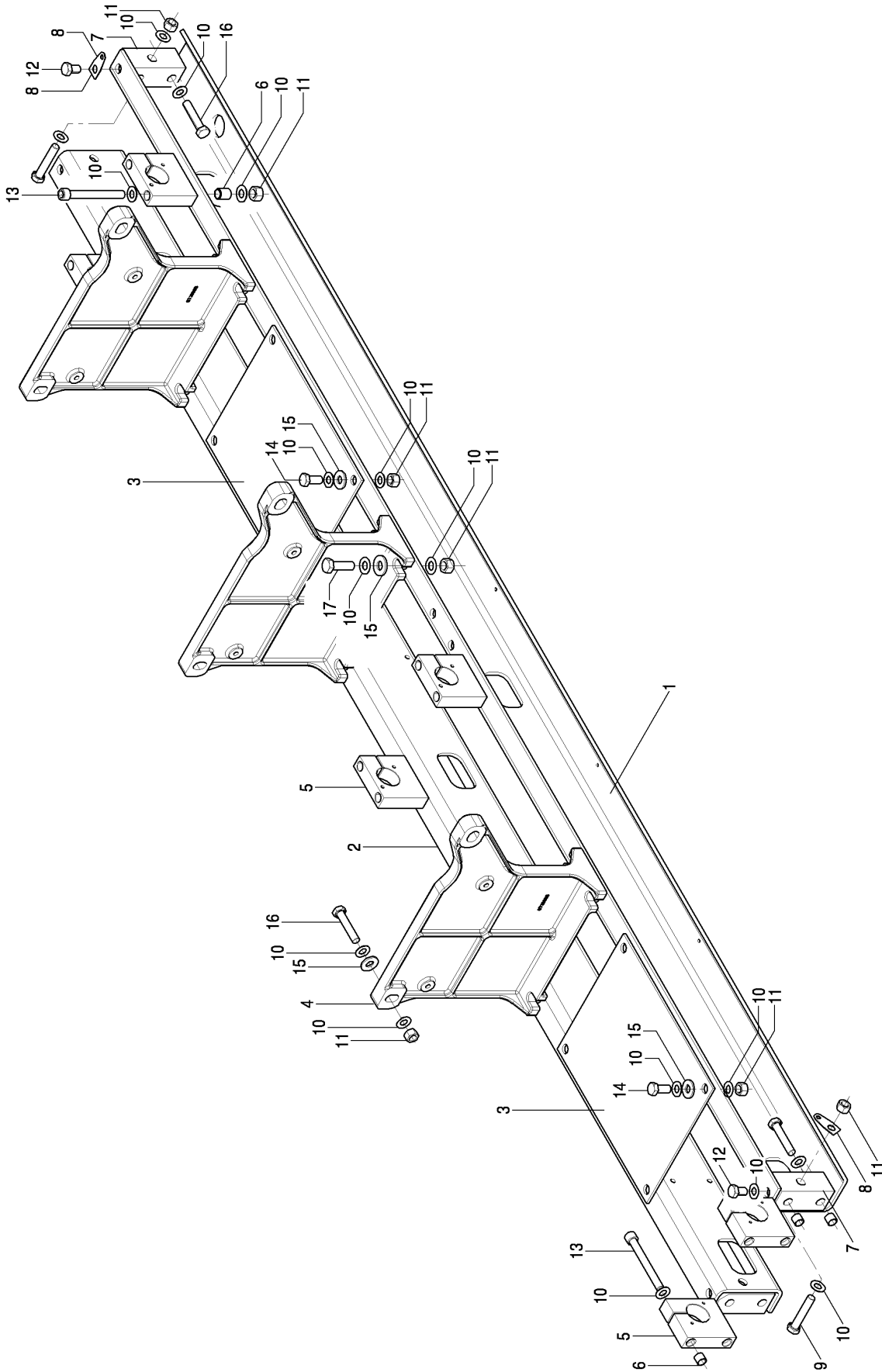
A9500	2-BRIDGE TIE-ROD SUPPORTS (1900-2600) FOR LOOMS WITH DOBBY AND EXTERNAL TAPPET MOTION	HA010-01
	Valid lots from YC12 to	13/11/2015



A9500	2-BRIDGE TIE-ROD SUPPORTS (1900-2600) FOR LOOMS WITH DOBBY AND EXTERNAL TAPPET MOTION		HA010-01
	Valid lots from YC12 to		13/11/2015

Pos.	Code	Widths	Remarks	Lots
1	131140002	1900		
1	131140023	2100		
1	131140077	2200		
1	131140003	2300		
2	131140004	1900		
2	131140026	2100		
2	131140097	2200		
2	131140005	2300		
3	131140016			
4	131140013			
5	131140015			
6	0375036		anello interno jr17x20x16,5	
7	131240037			
8	VM11057		molla tazza din.2093 31,5x16,3x 1,75	
9	110007000			
10	0127001		rond.piana d=17 uni6592 zincata	
11	110107009			
12	110017041			
13	VV16132		vite tcei m16x140 iso4762 cl.12.9 brunita	
14	110017025			
15	110007024			
16	0127002		rond.spec.d=17x38x4 ferro zincata	
17	110017029			
18	131140014			

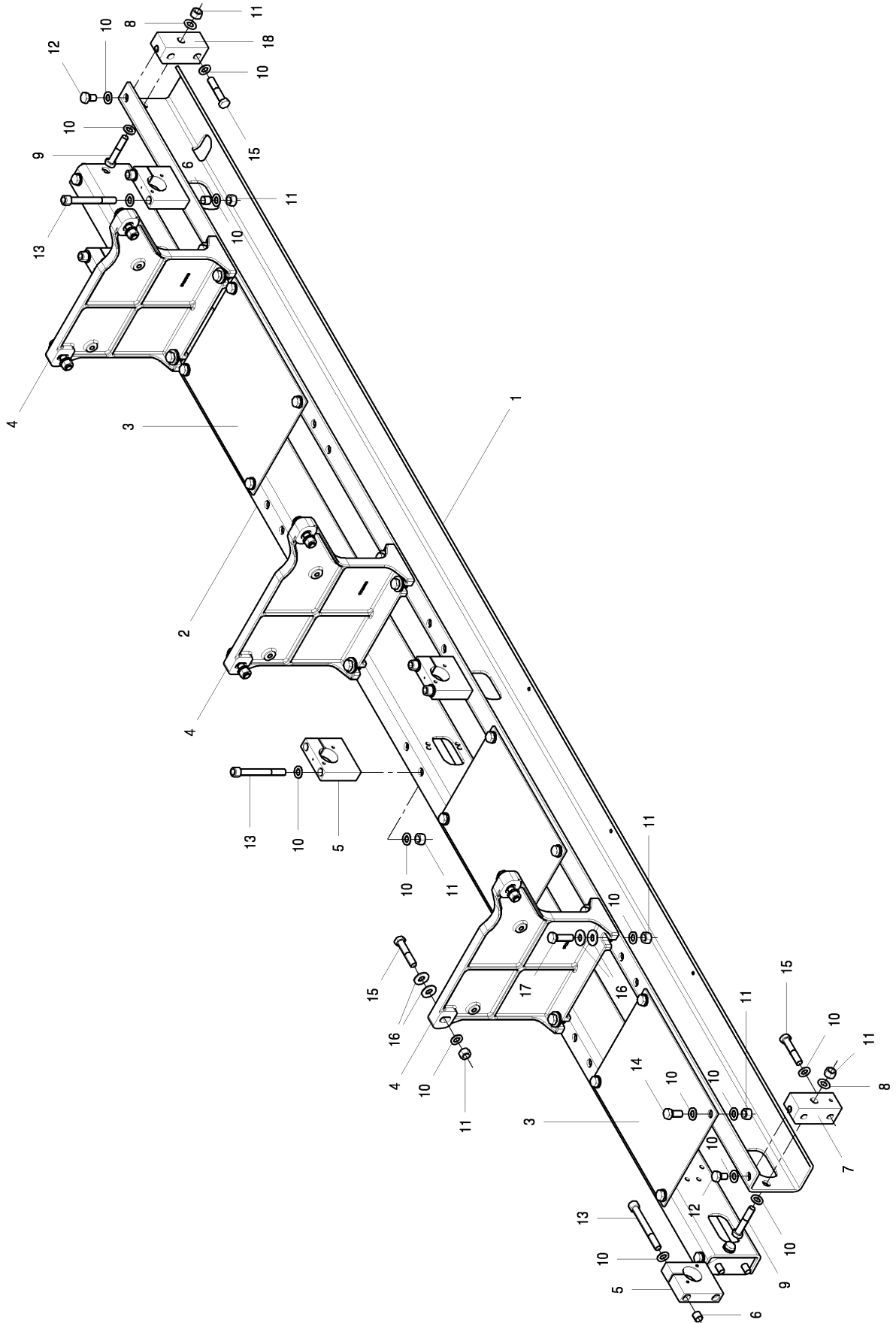
A9500	3-BRIDGE TIE-ROD SUPPORTS (2800-3600) FOR LOOMS WITH DOBBY AND EXTERNAL TAPPET MOTION	HA015-00
	Valid lots from to YC11	10/11/2015



A9500	3-BRIDGE TIE-ROD SUPPORTS (2800-3600) FOR LOOMS WITH DOBBY AND EXTERNAL TAPPET MOTION		HA015-00
	Valid lots from to YC11		10/11/2015

Pos.	Code	Widths	Remarks	Lots
1	131140028	2600		
1	131140029	2800		
1	131140086	3000		
1	131140087	3200		
1	131140031	3400		
1	131140032	3600		
2	131140034	2600		
2	131140035	2800		
2	131140088	3000		
2	131140089	3200		
2	131140037	3400		
2	131140038	3600		
3	131140016			
4	131140013			
5	131140015			
6	0375036		anello interno jr17x20x16,5	
7	131140014			
8	131180034			
9	110007000			
10	VM11057		molla tazza din.2093 31,5x16,3x 1,75	
11	110107009			
12	110017041			
13	VV16132		vite tcei m16x140 iso4762 cl.12.9 brunita	
14	110017025			
15	0127002		rond.spec.d=17x38x4 ferro zincata	
16	110007024			
17	110017028			

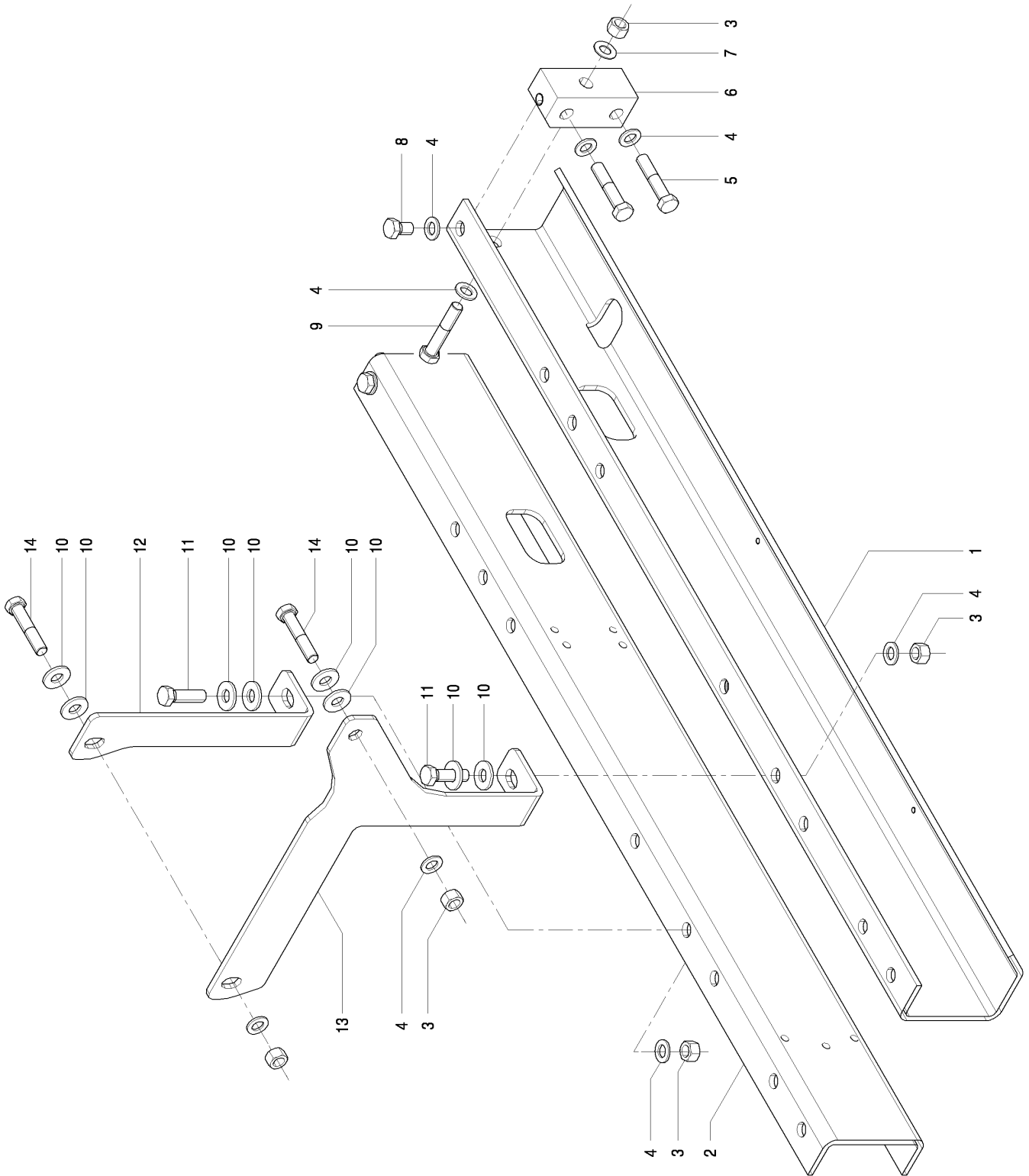
A9500	3-BRIDGE TIE-ROD SUPPORTS (2800-3600) FOR LOOMS WITH DOBBY AND EXTERNAL TAPPET MOTION	HA015-01
	Valid lots from YC12 to	13/11/2015



A9500	3-BRIDGE TIE-ROD SUPPORTS (2800-3600) FOR LOOMS WITH DOBBY AND EXTERNAL TAPPET MOTION			HA015-01
	Valid lots from YC12 to			13/11/2015

Pos.	Code	Widths	Remarks	Lots
1	131140028	2600		
1	131140029	2800		
1	131140086	3000		
1	131140087	3200		
1	131140031	3400		
1	131140032	3600		
2	131140034	2600		
2	131140035	2800		
2	131140088	3000		
2	131140089	3200		
2	131140037	3400		
2	131140038	3600		
3	131140016			
4	131140013			
5	131140015			
6	0375036		anello interno jr17x20x16,5	
7	131240037			
8	VM11057		molla tazza din.2093 31,5x16,3x 1,75	
9	110007000			
10	0127001		rond.piana d=17 uni6592 zincata	
11	110107009			
12	110017041			
13	VV16132		vite tcei m16x140 iso4762 cl.12.9 brunita	
14	110017025			
15	110007024			
16	0127002		rond.spec.d=17x38x4 ferro zincata	
17	110017029			
18	131140014			

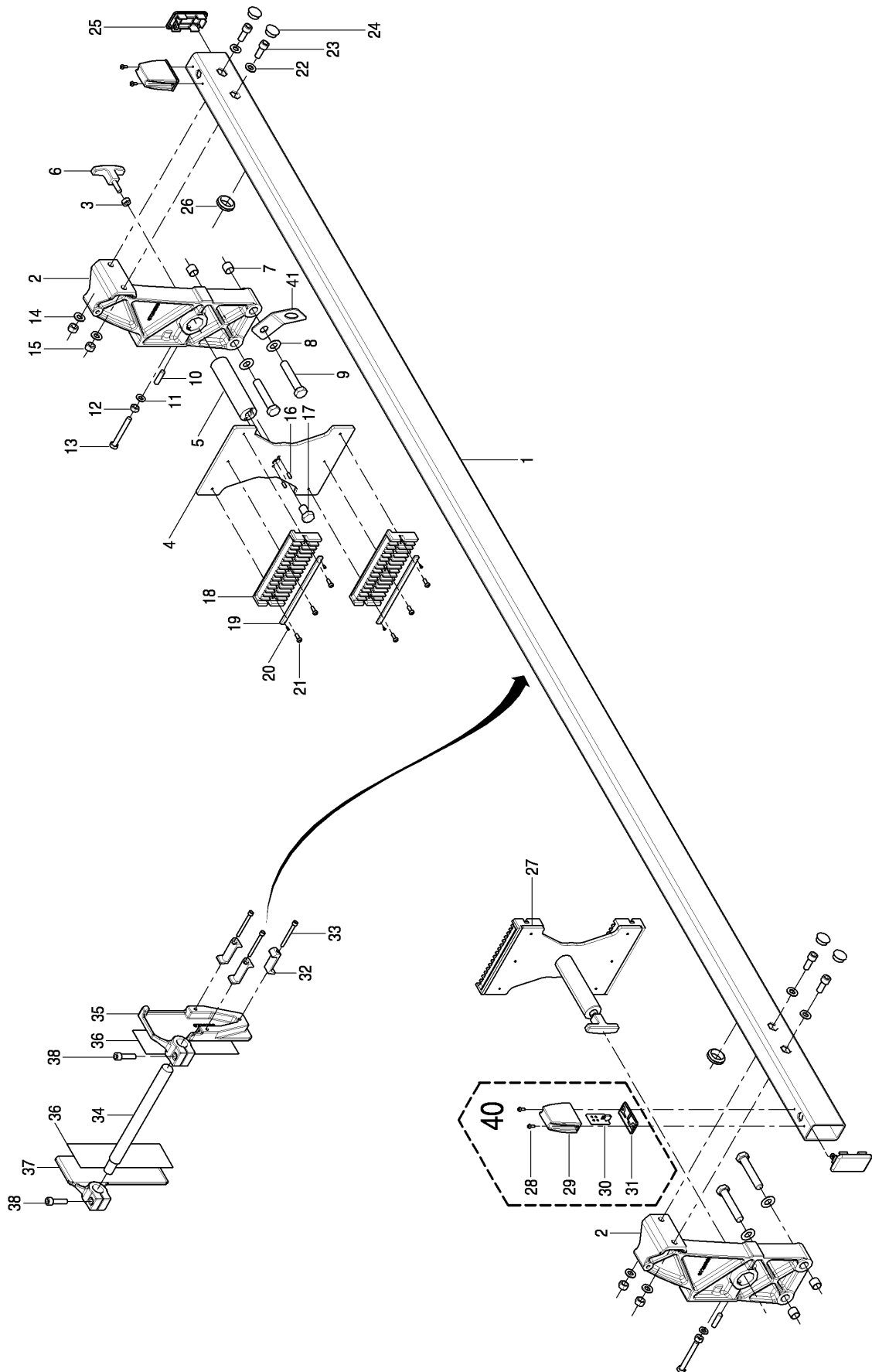
A9500	SIDE MEMBERS CONNECTIONS FOR JACQUARD VERSION	HA025-00
	Valid lots from to	07/06/2017



A9500	SIDE MEMBERS CONNECTIONS FOR JACQUARD VERSION		HA025-00
	Valid lots from to		07/06/2017

Pos.	Code	Widths	Remarks	Lots
1	131140002	1900		
1	131140023	2100		
1	131140077	2200		
1	131140003	2300		
1	131140028	2600		
1	131140029	2800		
1	131140086	3000		
1	131140087	3200		
1	131140031	3400		
1	131140032	3600		
2	131140004	1900		
2	131140026	2100		
2	131140097	2200		
2	131140005	2300		
2	131140034	2600		
2	131140035	2800		
2	131140088	3000		
2	131140089	3200		
2	131140037	3400		
2	131140038	3600		
3	110107009			
4	0127001		rond.piana d=17 uni6592 zincata	
5	110007024			
6	131140014			
7	VM11057		molla tazza din.2093 31,5x16,3x 1,75	
8	110017041			
9	110007000			
10	0127002		rond.spec.d=17x38x4 ferro zincata	
11	110017027			
12	131140110			
13	131140109			
14	110017029			

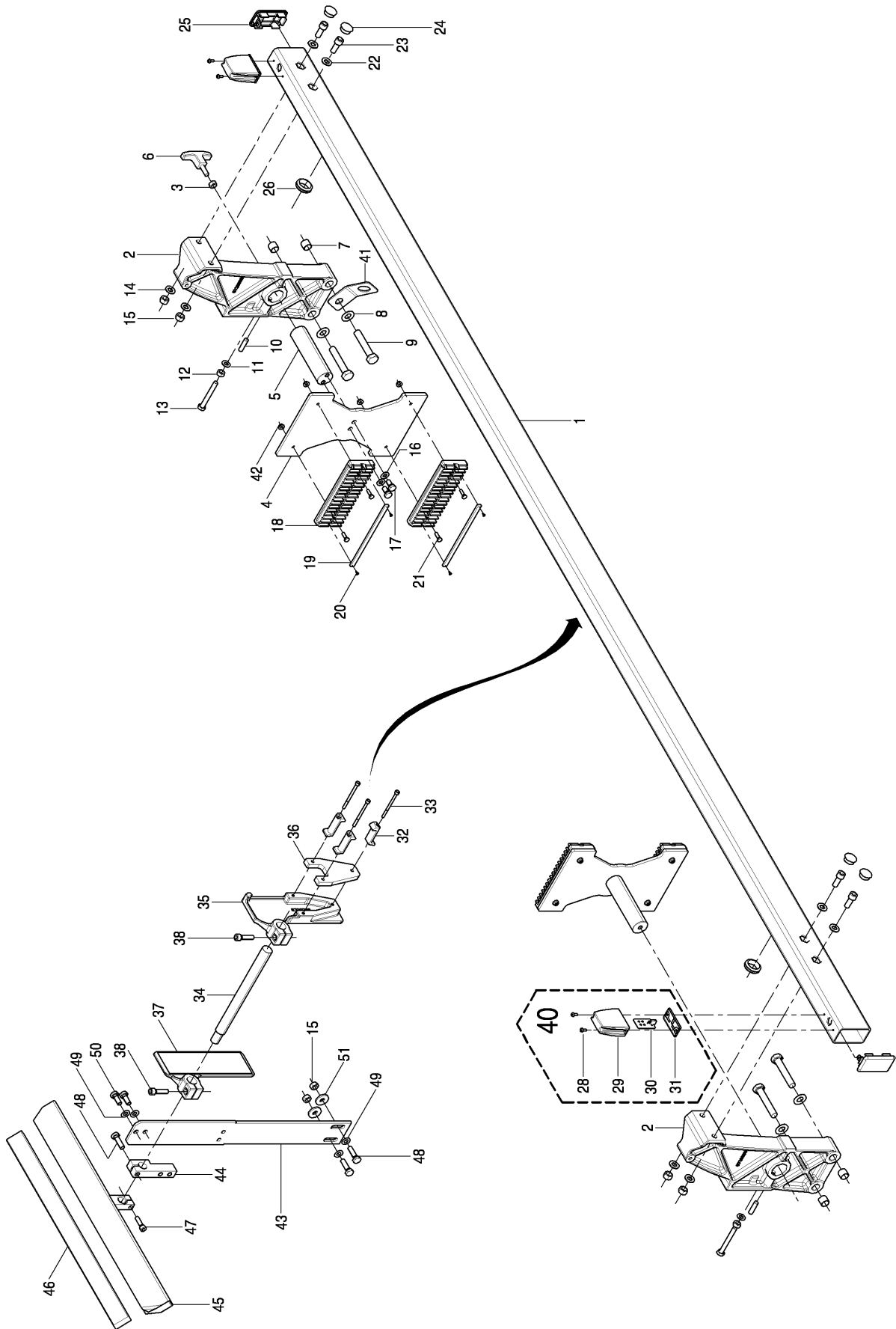
A9500	UPPER HEALD GUIDES FOR LOOMS WITH DOBBY OR TAPPET MOTION	HA040-00
	Valid lots from to	13/10/2015



A9500	UPPER HEALD GUIDES FOR LOOMS WITH DOBBY OR TAPPET MOTION	HA040-00
	Valid lots from to	13/10/2015

Pos.	Code	Widths	Remarks	Lots
1	191110130	1900		
1	191110131	2100		
1	191110747	2200		
1	191110132	2300		
1	191110133	2600		
1	191110134	2800		
1	191110135	3400		
1	191110136	3600		
2	131140006			
3	110104007			
4	131140007			
5	131140009			
6	0439041		maniglia a t mod.652/80 p m10x30	
7	0375036		anello interno jr17x20x16,5	
8	VM11057		molla tazza din.2093 31,5x16,3x 1,75	
9	110007000			
10	VS10390		spina cilindr.din 7979 d=10x6 ma l=36	
11	0124001		rond.piana d=10,5 uni6592 zincata	
12	110104007			
13	110014034			
14	0125001		rond.piana d=13 uni6592 zincata	
15	110104007			
16	VS10271		spina cilin.tem.din.6325 6 m6 x 14	
17	110017041			
18	131140008			
19	QELS007			
20	VV11575		v.autof.tsp-croce-din.7982:2,9x 9,5 nich	
21	VV1851A		vite tbei m6x16-8.8 iso7380 zincata	
22	0125001		rond.piana d=13 uni6592 zincata	
23	VV16367		vite tcei m12x30-12.9 iso4762 brunita	
24	VT10012		tappo a scatto heyco dp1000/2713	
25	131110171			
26	0825037		passacavo neoprene elektroz. da 300-350-40 nero	
27	191140000			
28	0051021		vite tbei m5x12-10.9 iso7380 brunita	
29	131180031			
30	151180013			
31	131180032			
32	LES214A			
33	VV1606A		vite tcei m6x65 iso4762 cl8.8 zincata	
34	QELS2AA			
35	QELS004			
36	2569094			
37	2524036			
38	0024003		vite tcei m10x40 u5931 c8.8 zincata	
40	151180270			
41	2560887			

A9500	UPPER HEALD GUIDES FOR LOOMS WITH DOBBY OR TAPPET MOTION	HA040-01
	Valid lots from to	21/10/2015



A9500	UPPER HEALD GUIDES FOR LOOMS WITH DOBBY OR TAPPET MOTION	HA040-01
	Valid lots from to	21/10/2015

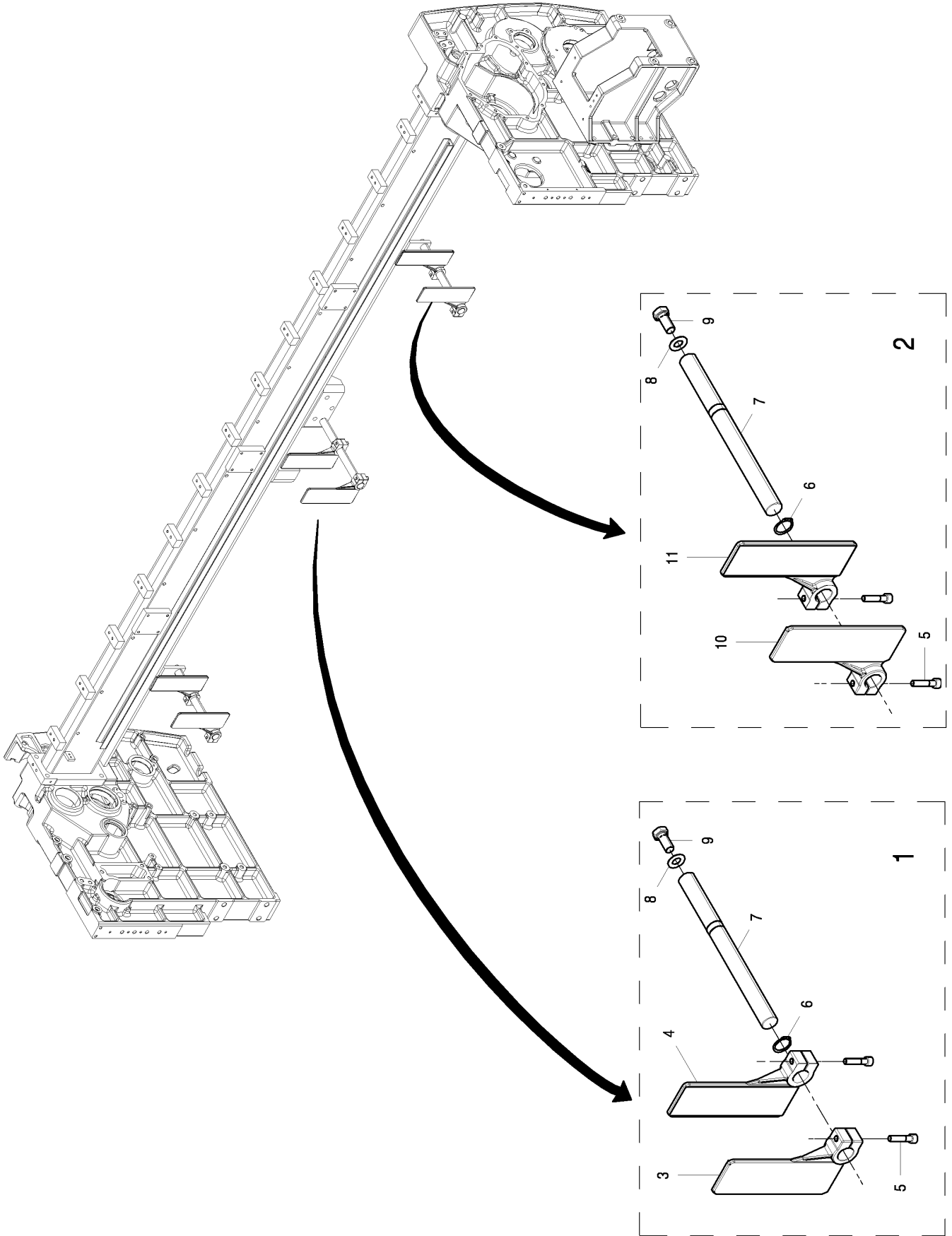
Pos.	Code	Widths	Remarks	Lots
1	191110130	1900		
1	191110131	2100		
1	191110747	2200		
1	191110132	2300		
1	191110133	2600		
1	191110134	2800		
1	191110409	3000		
1	191110410	3200		
1	191110135	3400		
1	191110136	3600		
2	131140006			
3	110104007			
4	131140058			
5	131140059			
6	0439041		maniglia a t mod.652/80 p m10x30	
7	0375036		anello interno jr17x20x16,5	
8	VM11057		molla tazza din.2093 31,5x16,3x 1,75	
9	110007000			
10	VS10390		spina cilindr.din 7979 d=10x6 ma l=36	
11	0124001		rond.piana d=10,5 uni6592 zincata	
12	110104007			
13	110014034			
14	0125001		rond.piana d=13 uni6592 zincata	
15	110104007			
16	0124001		rond.piana d=10,5 uni6592 zincata	
17	110014024			
18	131140061			
19	QELS007			
20	VV11575		v.autof.tsp-croce-din.7982:2,9x 9,5 nich	
21	110012029			
22	0125001		rond.piana d=13 uni6592 zincata	
23	VV16367		vite tcei m12x30-12.9 iso4762 brunita	
24	VT10012		tappo a scatto heyco dp1000/2713	
25	131110171			
26	0825037		passacavo neoprene elektroz. da 300-350-40 nero	
28	0051021		vite tbei m5x12-10.9 iso7380 brunita	
29	131180031			
30	151180013			
31	131180032			
32	LES214A			
33	110022062			
34	QELS2AA			
35	QELS004			
36	QELS006		Valid parts just for looms with tuck-in device - ISD -	
37	QALS14A			
38	110024056			
40	151180270			
41	2560887			
42	VD21061		dado esagon.con flangia:din 6923 m 6 zn	
43	131140096			
44	131140095			
45	2680698			
46	2509080			
47	110023077			
48	110014027			

A9500	UPPER HEALD GUIDES FOR LOOMS WITH DOBBY OR TAPPET MOTION	HA040-01
	Valid lots from to	21/10/2015

Pos.	Code	Widths	Remarks	Lots
49	VM11036		molla tazza din.2093 20x10,2x 0,8	
50	110014025			
51	VR17015		rondelle piane special.de.30x11x4 zn.	

A9500		
-------	--	--

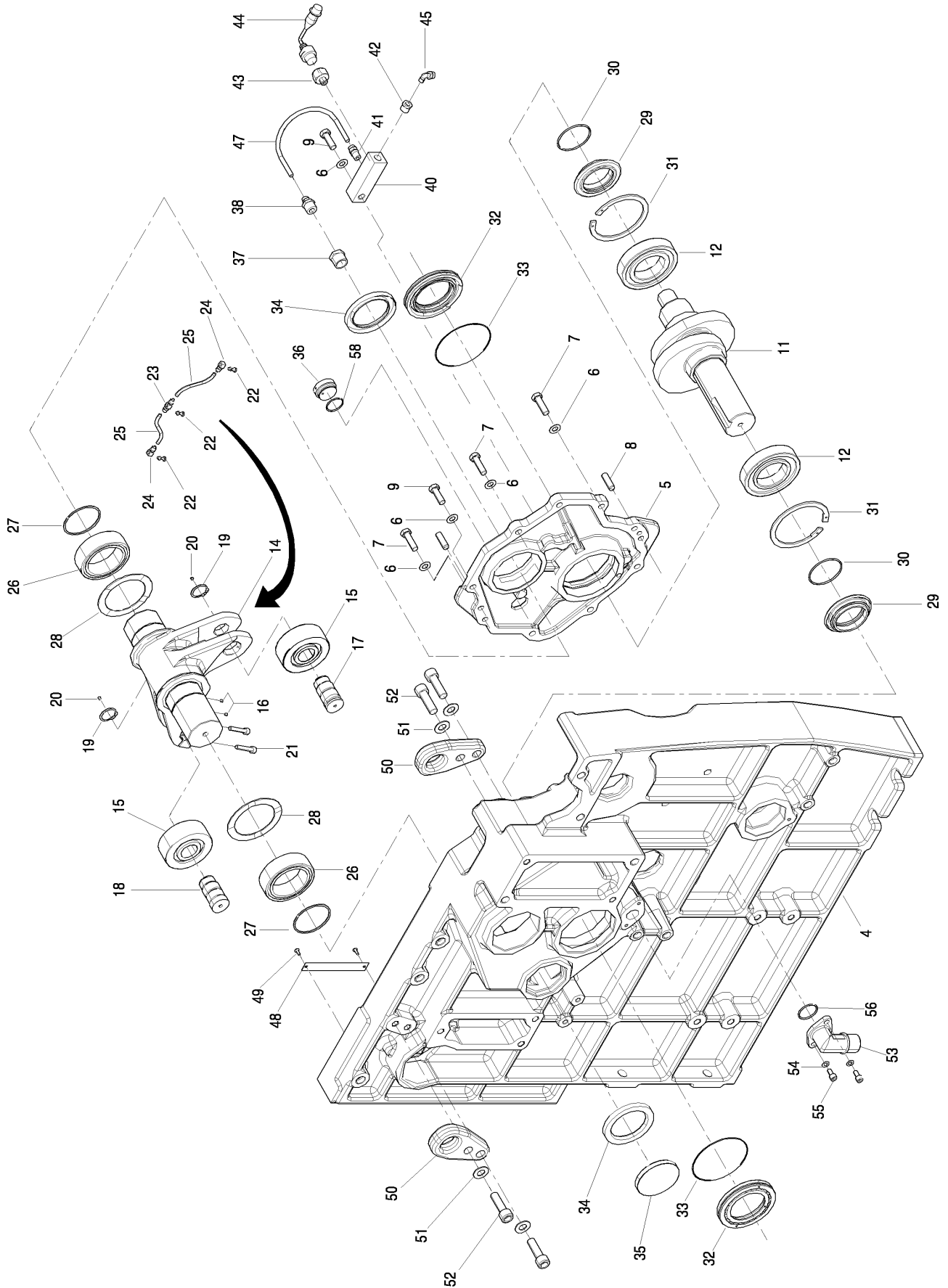
A9500	LOWER HEALD GUIDES FOR LOOMS WITH DOBBY OR TAPPET MOTION	HA045-00
	Valid lots from to	11/11/2015



A9500	LOWER HEALD GUIDES FOR LOOMS WITH DOBBY OR TAPPET MOTION		HA045-00
	Valid lots from to		11/11/2015

Pos.	Code	Widths	Remarks	Lots
1	191140059	2600-3600		
2	191140003			
3	191140034			
4	191140033			
5	110024057			
6	0186001		anello elastico per alberi d=30 din471	
7	131140010			
8	VM11058		molla tazza din.2093 31,5x16,3x 2	
9	110017025			
10	191140002			
11	191140001			

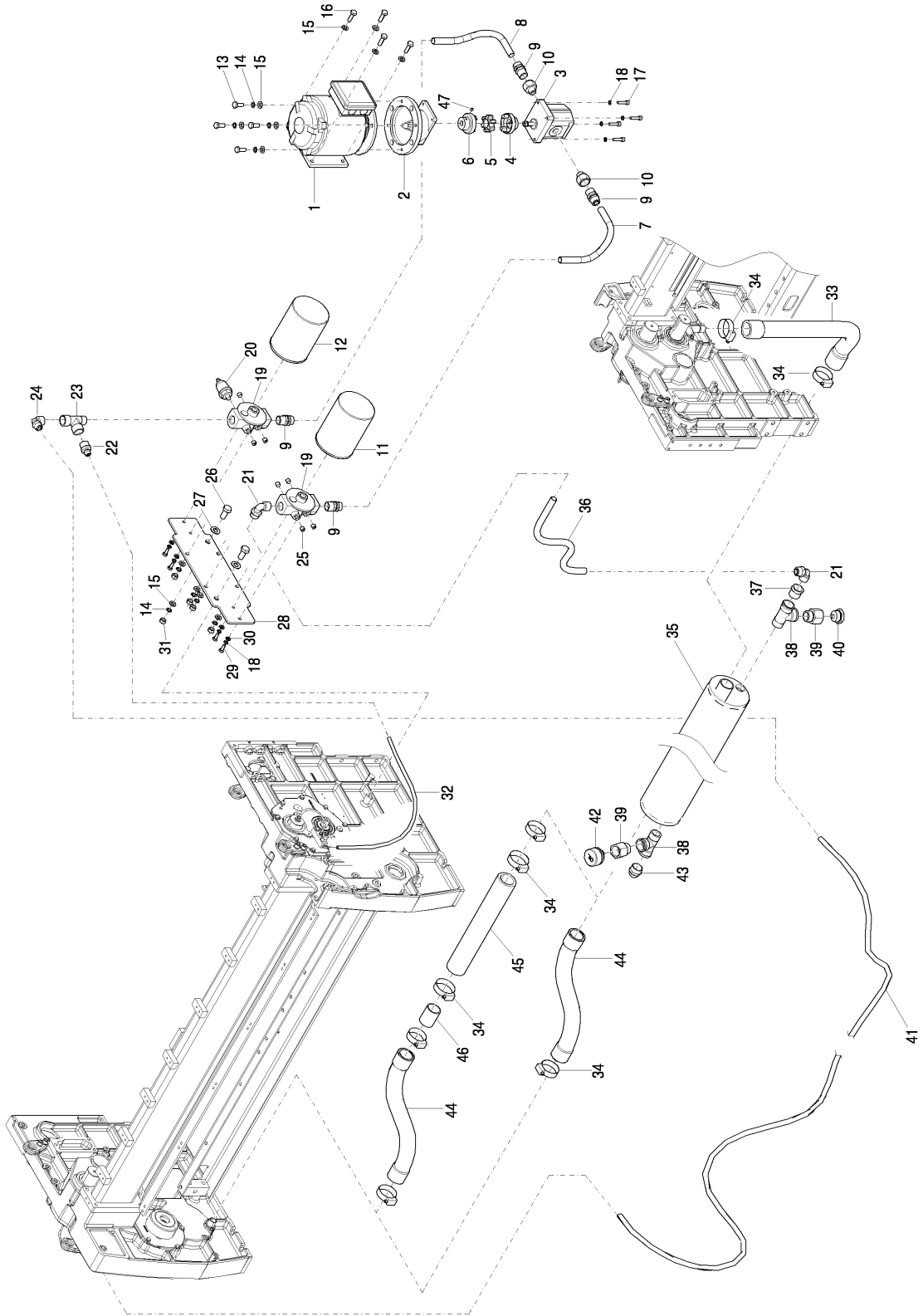
A9500	RIGHT HAND DRIVE BOX HI DRIVE VERSION FOR LOOMS WITH DOBBY OR TAPPET MOTION	LA001-00
	Valid lots from to	23/10/2015



A9500	RIGHT HAND DRIVE BOX HI DRIVE VERSION FOR LOOMS WITH DOBBY OR TAPPET MOTION		LA001-00
	Valid lots from to		23/10/2015

Pos.	Code	Widths	Remarks	Lots
4	131110009			
5	131110010			
6	VM11045		molla tazza din.2093 23x12,2x 1,25-262.600.068	
7	110015023			
8	VS10313		spina cilin.tem.din.6325 12 m6 x 40	
9	110005025			
11	131110163	1900÷2300		
11	131110229	2600÷3000		
11	131110224	3200÷3600		
12	ECS4337		cusc.a rulli cilindr.nj213 ecp	
14	131110004			
15	110307057			
16	131110102			
17	131110103			
18	131110067			
19	VA10529		anello elastico per alberi d=31 din471	
20	0472036		tappo koenig expander lk 950-50	
21	0023056		vite tcei m8x40 u5931 cl12,9 brun.	
22	0482064		vite cava m5 konfit as8700m5	
23	0482063		raccordo or. doppio camozzi 1620 6/4-m5	
24	0482062		raccordo orientabile 6/4 m5 konfit rc65m506	
25	GPE1726			
26	ECR0125		cusc.a rullini na4915 75x105x30	
27	ECR9745		anello di spall.x alberi wr 75	
28	FD1017B			
29	131110084			
30	0389026		anello tenuta or168 65,09x3,53	
31	0199005		anello elastico di sic.per fori d120 uni7437din472	
32	131110083			
33	VG1357C		guarnizione gaco tipo or3450	
34	0389017		anello di tenuta skf cr 75x105x10 crw1r	
35	0389020		tappo chiusura simrit ga 90x10	
36	131110170			
37	CPNR201			
38	0482070		raccordo diritto camozzi 1510 8/6-1/2	
40	131110086			
41	CPNR01G			
42	CPNR19W			
43	0482069		riduzione 2520 1/4 -1/2	
44	9851331			
45	CPNR012			
47	GPE1743			
48	131110088			
49	VR12023		rivetto autofil.u.7346 d.4,5 x12,5	
50	131110085			
51	VM11057		molla tazza din.2093 31,5x16,3x 1,75	
52	0027012		vite tcei m16x50-12.9 iso4762 brunita	
53	2556006			
54	VM11022		molla a tazza din.2093 15x8.2x0.7	
55	110023074			
56	0387006		anello tenuta or4137 34.52x3.53	
58	VG13553		guarnizione gaco tipo or 3125	

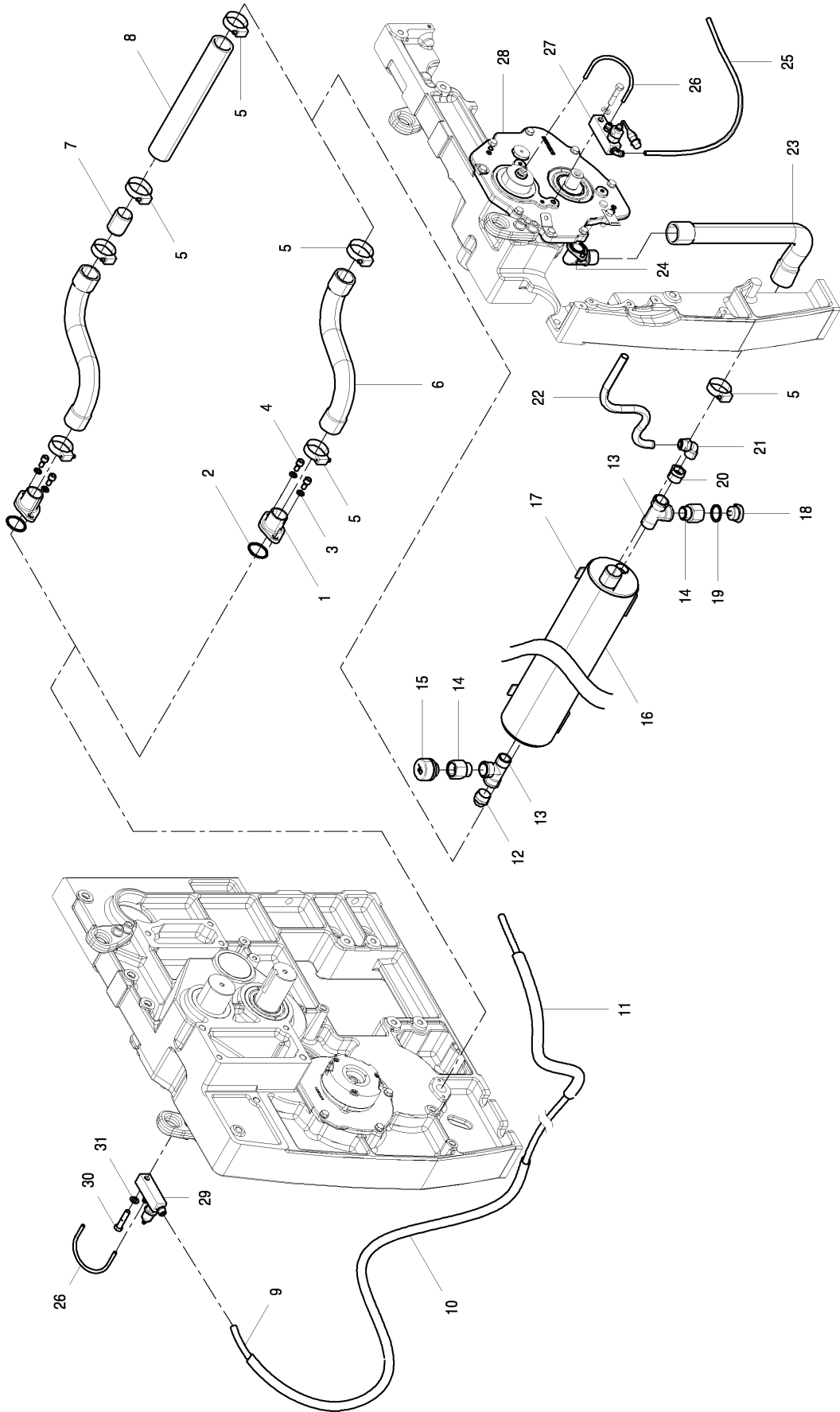
A9500	LUBRICATION		LA020-00
	Valid lots from to YD07		01/09/2015



A9500	LUBRICATION		LA020-00
	Valid lots from to YD07		01/09/2015

Pos.	Code	Widths	Remarks	Lots
1	9040441		220/380V. 60Hz	
1	9040438		220V.50Hz - 380V.50Hz - 440V.60Hz	
1	9040439		230/400V. 50Hz	
1	9040440		240/415V. 50Hz	
1	9040442		440V. 50Hz	
2	LEDV023			
3	0491010		pompa marzocchi 1p-d-6.7 (3/8-3/8)	
4	LEDV022			
5	0452028		stella omt 75 shore giunto pompa	
6	LEDV019			
7	131110129			
8	131110130			
9	CPNR01X			
10	CPNR246			
11	0483028		cartuccia filtro cs5000 m60-71	
12	0483031		cartuccia filtro cs5000-a10-71	
13	110013029			
14	0143008		rond.di sic.zig.schnorr"s" 8.4x13x0,8 brunita	
15	0123001		rond.piana d=8,4 uni6592 zincata	
16	110013030			
17	110022105			
18	0142011		rond.di sic.zig.schnorr"s" 6.4x10x0.7 brunita	
19	0483038		test.x filtri 3/4 e=1/2 u=1/2 a=2xm6+4 gr. 1/8 gas	
20	0493009		4121121t4.5 press.1/8 nc+3015001 t4.5	
21	0482278		raccordo mod.1500 15/12,5 -1/2	
22	0482070		raccordo diritto camozzi 1510 8/6-1/2	
23	CPNR58G			
24	CPNR00M			
25	CPNT180			
26	110015020			
27	VM11045		molla tazza din.2093 23x12,2x 1,25-262.600.068	
28	131110114			
29	110012028			
30	0122001		rond.piana d=6,4 uni6592 zincata	
31	110103010			
32	2148690			
33	131110127			
34	0825091		fascetta hufirma bpf hf6019 32-52-13	
35	131110122			
36	131110128			
37	CPNR201			
38	0482071		raccordo t m.f.f 3/4-3/4 art.34504900	
39	131110089			
40	0472068		tappo magnetico 3/4 36a z36.0512	
41	GPE1724		Choose the required length in mt.	
42	VT10970		tappo sfiato sfp.40 3/4 elesa art.54201	
43	0474018		spia a cupola hcfe 20-3/4 cod.11001	
44	131110126			
45	GPE2026		Valid parts just for looms 2100 ÷ 3600 * Choose the required length in mt.	
46	131110124		Valid parts just for looms 2100 ÷ 3600	
47	0031005		grano m5x6 uni5923 cl.45h brunito	

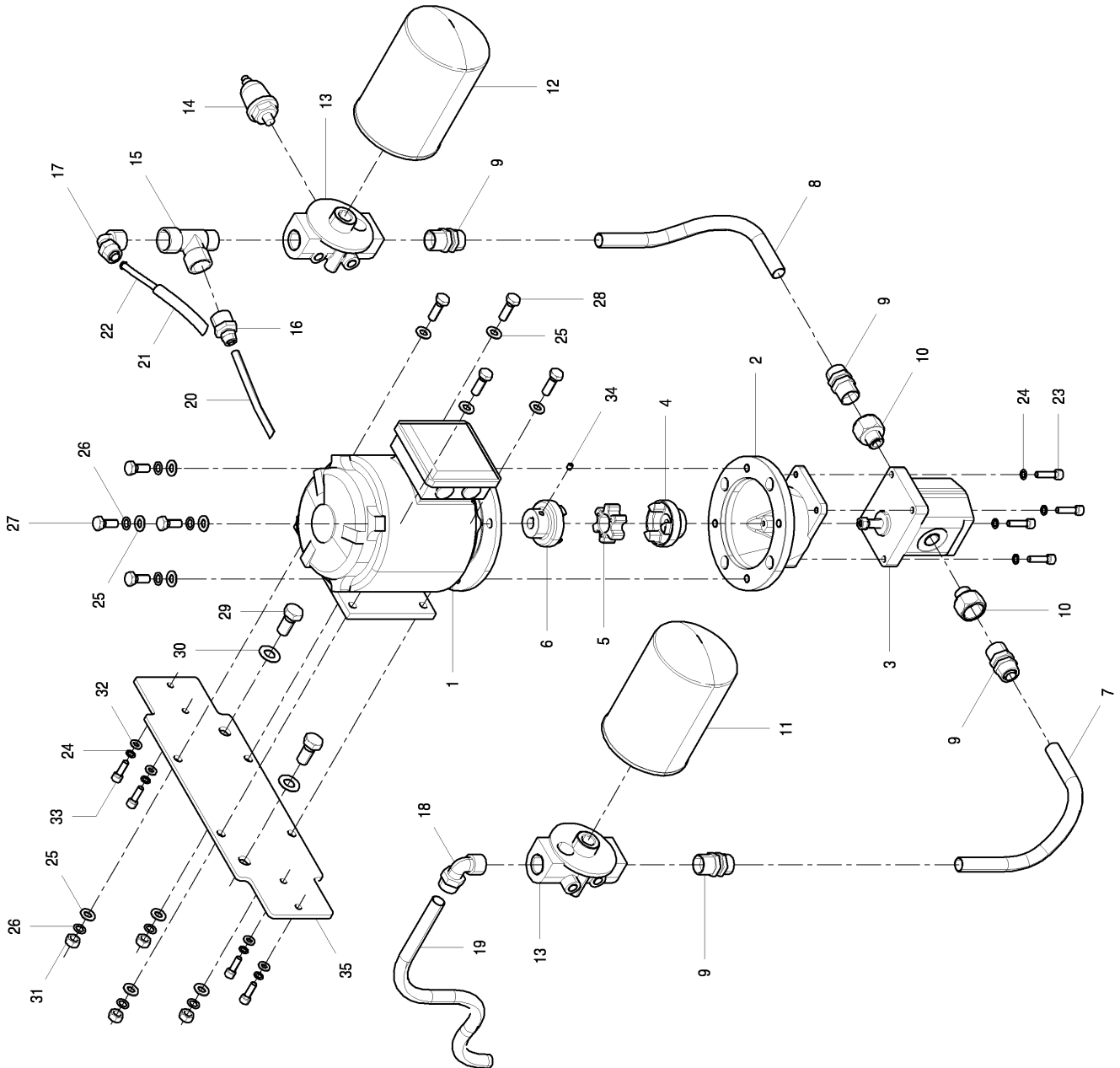
A9500	LUBRICATION		LA020-01
	Valid lots from YD08 to		23/10/2015



A9500	LUBRICATION			LA020-01
	Valid lots from YD08 to			23/10/2015

Pos.	Code	Widths	Remarks	Lots
1	2556012			
2	0387006		anello tenuta or4137 34.52x3.53	
3	VM11022		molla a tazza din.2093 15x8.2x0.7	
4	110023074			
5	0825091		fascetta hufirma bpf hf6019 32-52-13	
6	131110126			
7	131110124			
8	GPE2026		Choose the required length in mt.	
9	GPE1724		Choose the required length in mt.	
10	131110211			
11	131110230			
12	0474018		spia a cupola hcfe 20-3/4 cod.11001	
13	0482071		raccordo t m.f.f 3/4-3/4 art.34504900	
14	131110089			
15	VT10970		tappo sfiato sfp.40 3/4 elesa art.54201	
16	131110121			
17	131110185			
18	0472068		tappo magnetico 3/4 36a z36.0512	
19	0487032		guarnizione rame gr3/4	
20	0482146		raccordo 2530 3/4-1/2	
21	0482278		raccordo mod.1500 15/12,5 -1/2	
22	131110128			
23	131110127			
24	2556006			
25	2148690			
26	131110182			
27	191110035		Loom Cooler version	
27	191110036		Standard	
28	131110010			
29	191110020			
30	110005025			
31	VM11045		molla tazza din.2093 23x12,2x 1,25-262.600.068	

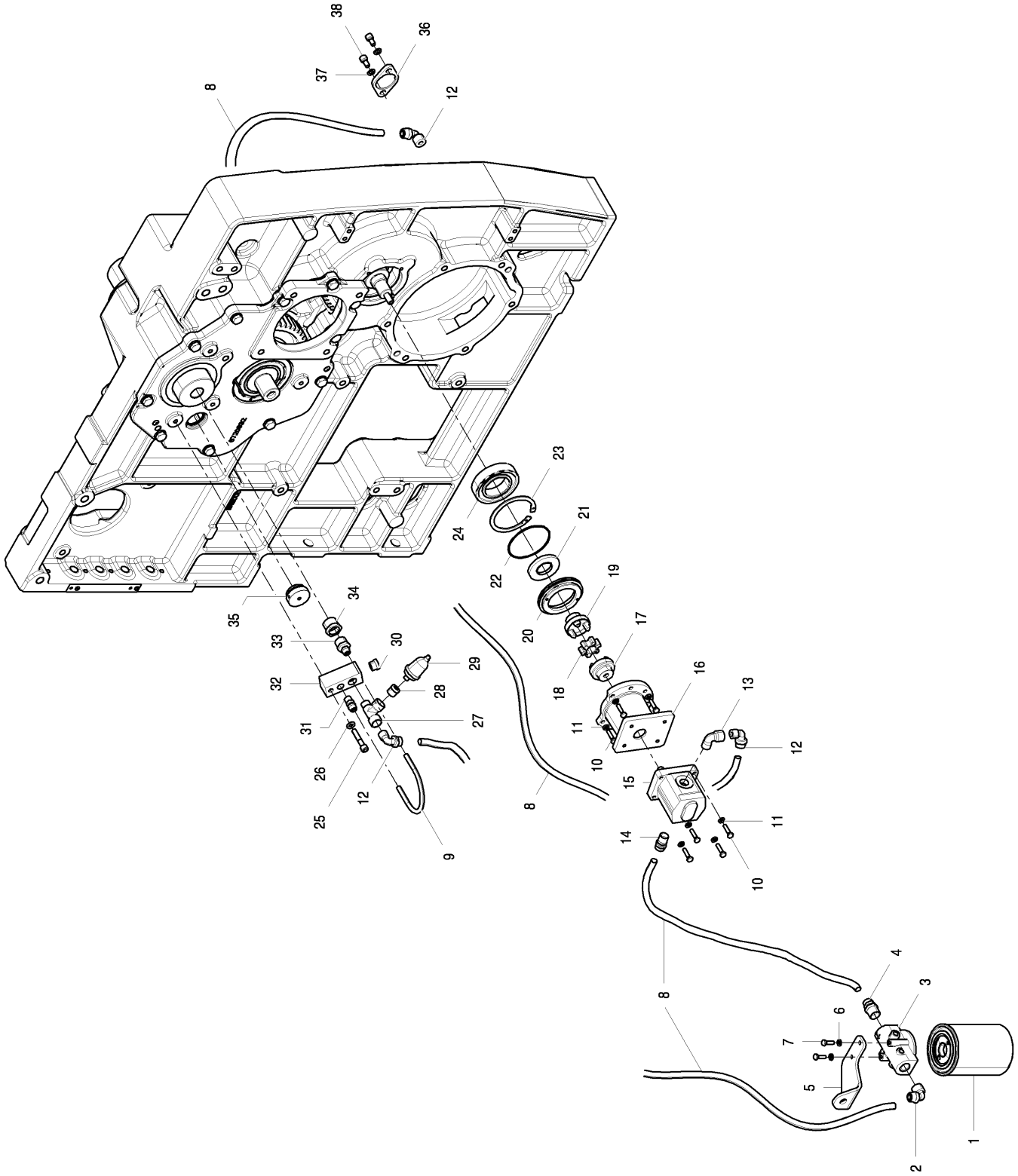
A9500	OIL PUMP		LA025-00
	Valid lots from to		08/06/2017



A9500	OIL PUMP		LA025-00
	Valid lots from to		08/06/2017

Pos.	Code	Widths	Remarks	Lots
1	9040440		220/380V. 60Hz	
1	9040441		220V.50Hz - 380V.50Hz - 440V.60Hz	
1	9040438		230/400V. 50Hz	
1	9040439		240/415V. 50Hz	
1	9040442		440V. 50Hz	
2	LEDV023			
3	0491010		pompa marzocchi 1p-d-6.7 (3/8-3/8)	
4	LEDV022			
5	0452028		stella omt 75 shore giunto pompa	
6	LEDV019			
7	131110129			
8	131110130			
9	0482295		raccordo mod.1510 15/12,5-1/2 camozzi	
10	CPNR246			
11	0483028		cartuccia filtro cs5000 m60-71	
12	0483031		cartuccia filtro cs5000-a10-71	
13	0483038		test.x filtri 3/4 e=1/2 u=1/2 a=2xm6+4 gr.1/8 gas	
14	0493009		4121121t4.5 press.1/8 nc+3015001 t4.5	
15	CPNR58G			
16	0482070		raccordo diritto camozzi 1510 8/6-1/2	
17	CPNR00M			
18	0482278		raccordo mod.1500 15/12,5 -1/2	
19	131110128			
20	2148690			
21	131110230			
22	GPE1724		Choose the required length in mt.	
23	110022105			
24	0142011		rond.di sic.zig.schnorr"s" 6.4x10x0.7 brunita	
25	0123001		rond.piana d=8,4 uni6592 zincata	
26	0143008		rond.di sic.zig.schnorr"s" 8.4x13x0,8 brunita	
27	110013029			
28	110013030			
29	110015020			
30	VM11045		molla tazza din.2093 23x12,2x 1,25-262.600.068	
31	110103010			
32	0122001		rond.piana d=6,4 uni6592 zincata	
33	0022018		vite tcei m6x20-8.8 iso4762 brunita	YG04
33	110012029			YG05
34	0031005		grano m5x6 uni5923 cl.45h brunito	
35	131110114			

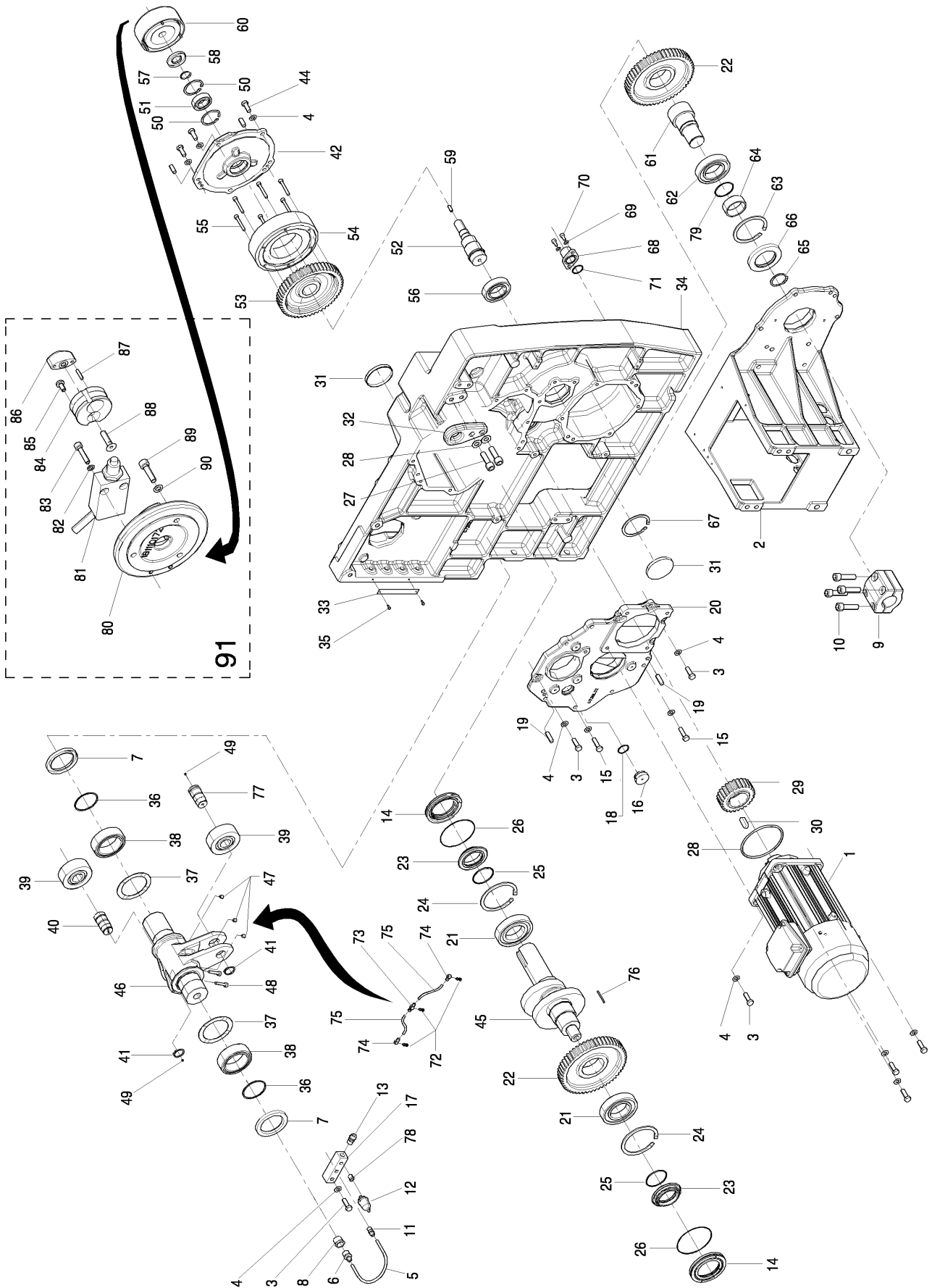
A9500	LUBRICATION LEFT SIDE - A9500e	LA030-00
	Valid lots from to	27/07/2015



A9500	LUBRICATION LEFT SIDE - A9500e		LA030-00
	Valid lots from to		27/07/2015

Pos.	Code	Widths	Remarks	Lots
1	0483031		cartuccia filtro cs5000-a10-71	
2	CPNR00M			
3	0483038		test.x filtri 3/4 e=1/2 u=1/2 a=2xm6+4 gr.1/8 gas	
4	CPNR01W			
5	131110210			
6	0122001		rond.piana d=6,4 uni6592 zincata	
7	110012029			
8	GPE1724			
9	131110182			
10	110012030			
11	0122001		rond.piana d=6,4 uni6592 zincata	
12	CPNR00P			
13	CPNR023			
14	CPNR01V			
15	0491010		pompa marzocchi 1p-d-6.7 (3/8-3/8)	
16	131110196			
17	LEDV022			
18	0452028		stella omt 75 shore giunto pompa	
19	LEDV019			
20	131110195			
21	0386020		anello di tenuta an+pf din3760 as 30x62x7 fpm	
22	0389087		anello tenuta or3325 82,22x2,62	
23	0198002		anello elastico di sic.per fori d=90 uni7437din472	
24	0309027		cusc.nj210ec a rulli cil. 50x90x20	
25	0023018		vite tcei m8x45-8.8 iso4762 brunita	
26	0123001		rond.piana d=8,4 uni6592 zincata	
27	0482321		raccordo a t 2070 3/8 -3/8	
28	CPNR19W			
29	0493013		4111120s34t0.4 press.1/8 na+3015001 t0.4	
30	CPNT218			
31	0482293		raccordo mod.1510 8/6-1/4 (cpnr01g)	
32	131150123			
33	0482070		raccordo diritto camozzi 1510 8/6-1/2	
34	0482146		raccordo 2530 3/4-1/2	
35	131110170			
36	131110209			
37	VM11022		molla a tazza din.2093 15x8.2x0.7	
38	110023074			

A9500	LEFT HAND DRIVE BOX HI DRIVE VERSION FOR LOOMS WITH DOBBY OR TAPPET MOTION	MA001-00
	Valid lots from to	06/09/2016



A9500	LEFT HAND DRIVE BOX HI DRIVE VERSION FOR LOOMS WITH DOBBY OR TAPPET MOTION	MA001-00
	Valid lots from to	06/09/2016

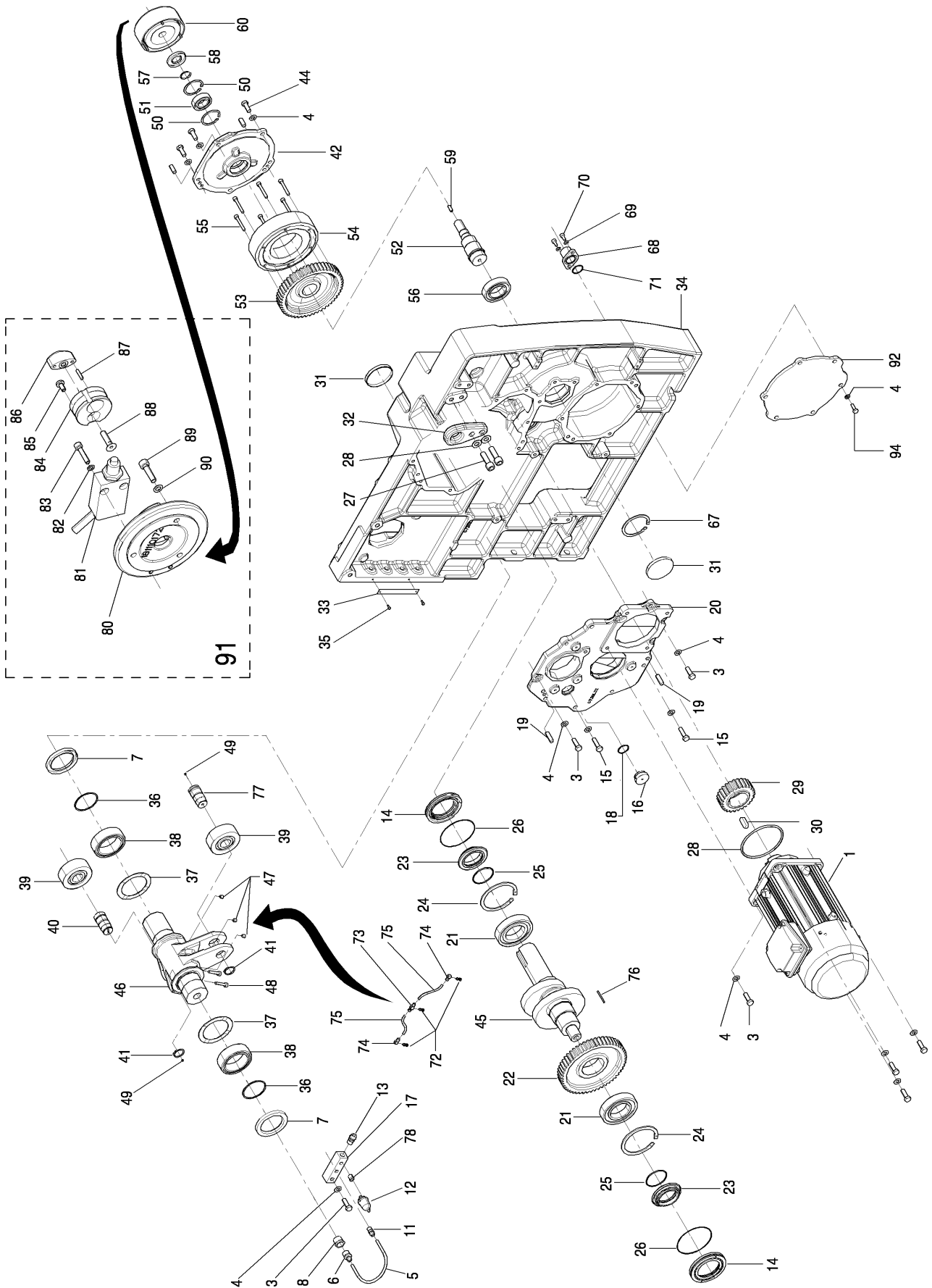
Pos.	Code	Widths	Remarks	Lots
1	151180595			
2	131140000		Dobby version	
2	131140001		Tappet motion version	
3	110015022			
4	VM11045		molla tazza din.2093 23x12,2x 1,25-262.600.068	
5	GPE1743			
6	0482070		raccordo diritto camozzi 1510 8/6-1/2	
7	0389017		anello di tenuta skf cr 75x105x10 crw1r	
8	CPNR201			
9	131110082			
10	0027013		vite tcei m16x60-12.9 iso4762 brunita	
11	CPNR01G			
12	0493013		4111120s34t0.4 press.1/8 na+3015001 t0.4	
13	CPNR01V			
14	131110083			
15	110015023			
16	131110170			
17	131110086			
18	VG13553		guarnizione gaco tipo or 3125	
19	VS10313		spina cilin.tem.din.6325 12 m6 x 40	
20	131110007			
21	ECS4337		cusc.a rulli cilindr.nj213 ecp	
22	131110080			
23	131110084			
24	0199005		anello elastico di sic.per fori d120 uni7437din472	
25	0389026		anello tenuta or168 65,09x3,53	
26	VG1357C		guarnizione gaco tipo or3450	
28	0389062		anello tenuta or215 139,7x5,33	
29	131110132			
30	VL11124		linguetta inc.rt-din.6885 16x10x40	
31	0389020		tappo chiusura simrit ga 90x10	
33	131110088			
34	131110006			
35	VR12023		rivetto autofil.u.7346 d.4,5 x12,5	
36	ECR9745		anello di spall.x alberi wr 75	
37	FD1017B			
38	ECR0125		cusc.a rullini na4915 75x105x30	
39	110307057			
40	131110104			
41	VA10529		anello elastico per alberi d=31 din471	
42	131110008			
43	VS10311		spina cilin.tem.din.6325 12 m6 x 32	
44	110015021			
45	131110162	1900÷2300		
45	131110228	2600÷3000		
45	131110223	3200÷3600		
46	131110005			
47	131110102			
48	0023056		vite tcei m8x40 u5931 cl12,9 brun.	
49	0472036		tappo koenig expander lk 950-50	
50	0196001		anello elastico di sic.per fori d=62 uni7437din472	
51	ECS0611		cusc.rad.rigido a sfere 6206	
52	131110078			
53	131110077			
54	131110079			

A9500	LEFT HAND DRIVE BOX HI DRIVE VERSION FOR LOOMS WITH DOBBY OR TAPPET MOTION		MA001-00
	Valid lots from to		06/09/2016

Pos.	Code	Widths	Remarks	Lots
55	0023022		vite tcei m8x55-12.9 iso4762 brunita	
56	0309027		cusc.nj210ec a rulli cil. 50x90x20	
57	0186001		anello elastico per alberi d=30 din471	
58	0386020		anello di tenuta an+pf din3760 as 30x62x7 fpm	
59	110093002			
60	SJ2040058			
61	131110081			
62	0309015		cusc.rull.nj212 ec 60x110x22 skf	
63	0199002		anello elastico di sic.per fori d110 uni7437din472	
64	0375001		anello interno jr 60x70x25	
65	VA10546		anello d'arresto d.50 din471	
66	0389018		anello di tenuta baumsl 70x110x12 fkm	
67	0198002		anello elastico di sic.per fori d=90 uni7437din472	
68	2556012			
69	VM11022		molla a tazza din.2093 15x8.2x0.7	
69	VM11022		molla a tazza din.2093 15x8.2x0.7	
70	110023074			
71	0387006		anello tenuta or4137 34.52x3.53	
72	0482064		vite cava m5 konfit as8700m5	
73	0482063		raccordo or. doppio camozzi 1620 6/4-m5	
74	0482062		raccordo orientabile 6/4 m5 konfit rc65m506	
75	GPE1726			
76	VS1025C		spina cilin.tem.din.6325 4 m6 x 50	
77	131110103			
78	CPNR19V			
79	0389079		anello tenuta or2224 56,87x1,78	
80	131110172		Valid parts only for looms with CE mark.	
81	151280628		Valid parts only for looms with CE mark.	
82	0141013		rond.di sic.zig.schnorr"s" 4.3x7x0.5 brunita * Valid parts only for looms with CE mark.	
83	110021107		Valid parts only for looms with CE mark.	
84	131110173		Valid parts only for looms with CE mark.	
85	0051045		vite tbei m4x8-10.9 iso7380 brunita * Valid parts only for looms with CE mark.	
86	110439025		Valid parts only for looms with CE mark.	
87	VS10232		spina cilin.tem.din.6325 2,5m6x 12 * Valid parts only for looms with CE mark.	
88	0041006		vite tspei m5x20 u5933c10.9 zincata * Valid parts only for looms with CE mark.	
89	110021115		Valid parts only for looms with CE mark.	
90	0141014		rond.di sic.zig.schnorr"s" 5.3x9x0.6 brunita * Valid parts only for looms with CE mark.	
91	191110156		Valid parts only for looms with CE mark.	

A9500		
-------	--	--

A9500	LEFT HAND DRIVE BOX HI DRIVE VERSION FOR LOOMS WITH JACQUARD	MA005-00
	Valid lots from to	07/06/2017



A9500	LEFT HAND DRIVE BOX HI DRIVE VERSION FOR LOOMS WITH JACQUARD	MA005-00
	Valid lots from to	07/06/2017

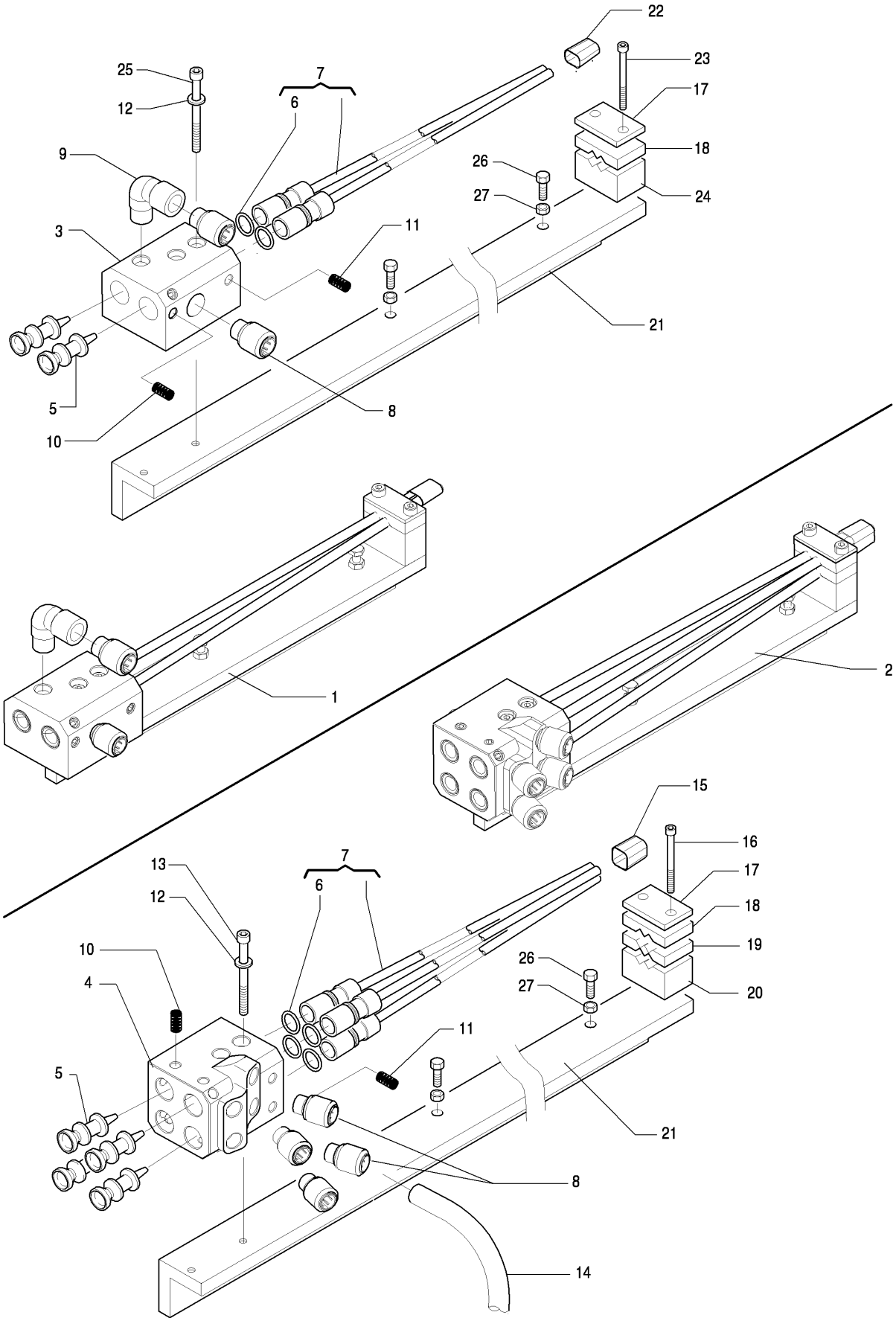
Pos.	Code	Widths	Remarks	Lots
1	151180595			
3	110015022			
4	VM11045		molla tazza din.2093 23x12,2x 1,25-262.600.068	
5	GPE1743			
6	0482070		raccordo diritto camozzi 1510 8/6-1/2	
7	0389017		anello di tenuta skf cr 75x105x10 crw1r	
8	CPNR201			
11	CPNR01G			
12	0493013		4111120s34t0.4 press.1/8 na+3015001 t0.4	
13	CPNR01V			
14	131110083			
15	110015023			
16	131110170			
17	131110086			
18	VG13553		guarnizione gaco tipo or 3125	
19	VS10313		spina cilin.tem.din.6325 12 m6 x 40	
20	131110007			
21	ECS4337		cusc.a rulli cilindr.nj213 ecp	
22	131110080			
23	131110084			
24	0199005		anello elastico di sic.per fori d120 uni7437din472	
25	0389026		anello tenuta or168 65,09x3,53	
26	VG1357C		guarnizione gaco tipo or3450	
28	0389062		anello tenuta or215 139,7x5,33	
29	131110132			
30	VL11124		linguetta inc.rt-din.6885 16x10x40	
31	0389020		tappo chiusura simrit ga 90x10	
33	131110088			
34	131110006			
35	VR12023		rivetto autofil.u.7346 d.4,5 x12,5	
36	ECR9745		anello di spall.x alberi wr 75	
37	FD1017B			
38	ECR0125		cusc.a rullini na4915 75x105x30	
39	110307057			
40	131110104			
41	VA10529		anello elastico per alberi d=31 din471	
42	131110008			
43	VS10311		spina cilin.tem.din.6325 12 m6 x 32	
44	110015021			
45	131110162	1900÷2300		
45	131110228	2600÷3000		
45	131110223	3200÷3600		
46	131110005			
47	131110102			
48	0023056		vite tcei m8x40 u5931 cl12,9 brun.	
49	0472036		tappo koenig expander lk 950-50	
50	0196001		anello elastico di sic.per fori d=62 uni7437din472	
51	ECS0611		cusc.rad.rigido a sfere 6206	
52	131110078			
53	131110077			
54	131110079			
55	0023022		vite tcei m8x55-12.9 iso4762 brunita	
56	0309027		cusc.nj210ec a rulli cil. 50x90x20	
57	0186001		anello elastico per alberi d=30 din471	
58	0386020		anello di tenuta an+pf din3760 as 30x62x7 fpm	

A9500	LEFT HAND DRIVE BOX HI DRIVE VERSION FOR LOOMS WITH JACQUARD	MA005-00
	Valid lots from to	07/06/2017

Pos.	Code	Widths	Remarks	Lots
59	110093002			
60	SJ2040058			
67	0198002		anello elastico di sic.per fori d=90 uni7437din472	
68	2556012			
70	110023074			
71	0387006		anello tenuta or4137 34.52x3.53	
72	0482064		vite cava m5 konfit as8700m5	
73	0482063		raccordo or. doppio camozzi 1620 6/4-m5	
74	0482062		raccordo orientabile 6/4 m5 konfit rc65m506	
75	GPE1726			
76	VS1025C		spina cilin.tem.din.6325 4 m6 x 50	
77	131110103			
78	CPNR19V			
80	131110172		Valid parts only for looms with CE mark.	
81	151280628		Valid parts only for looms with CE mark.	
82	0141013		rond.di sic.zig.schnorr"s" 4.3x7x0.5 brunita * Valid parts only for looms with CE mark.	
83	110021107		Valid parts only for looms with CE mark.	
84	131110173		Valid parts only for looms with CE mark.	
85	0051045		vite tbei m4x8-10.9 iso7380 brunita * Valid parts only for looms with CE mark.	
86	110439025		Valid parts only for looms with CE mark.	
87	VS10232		spina cilin.tem.din.6325 2,5m6x 12 * Valid parts only for looms with CE mark.	
88	0041006		vite tspei m5x20 u5933c10.9 zincata * Valid parts only for looms with CE mark.	
89	110021115		Valid parts only for looms with CE mark.	
90	0141014		rond.di sic.zig.schnorr"s" 5.3x9x0.6 brunita * Valid parts only for looms with CE mark.	
91	191110156		Valid parts only for looms with CE mark.	
92	131110240			
94	110015020			

A9500		
-------	--	--

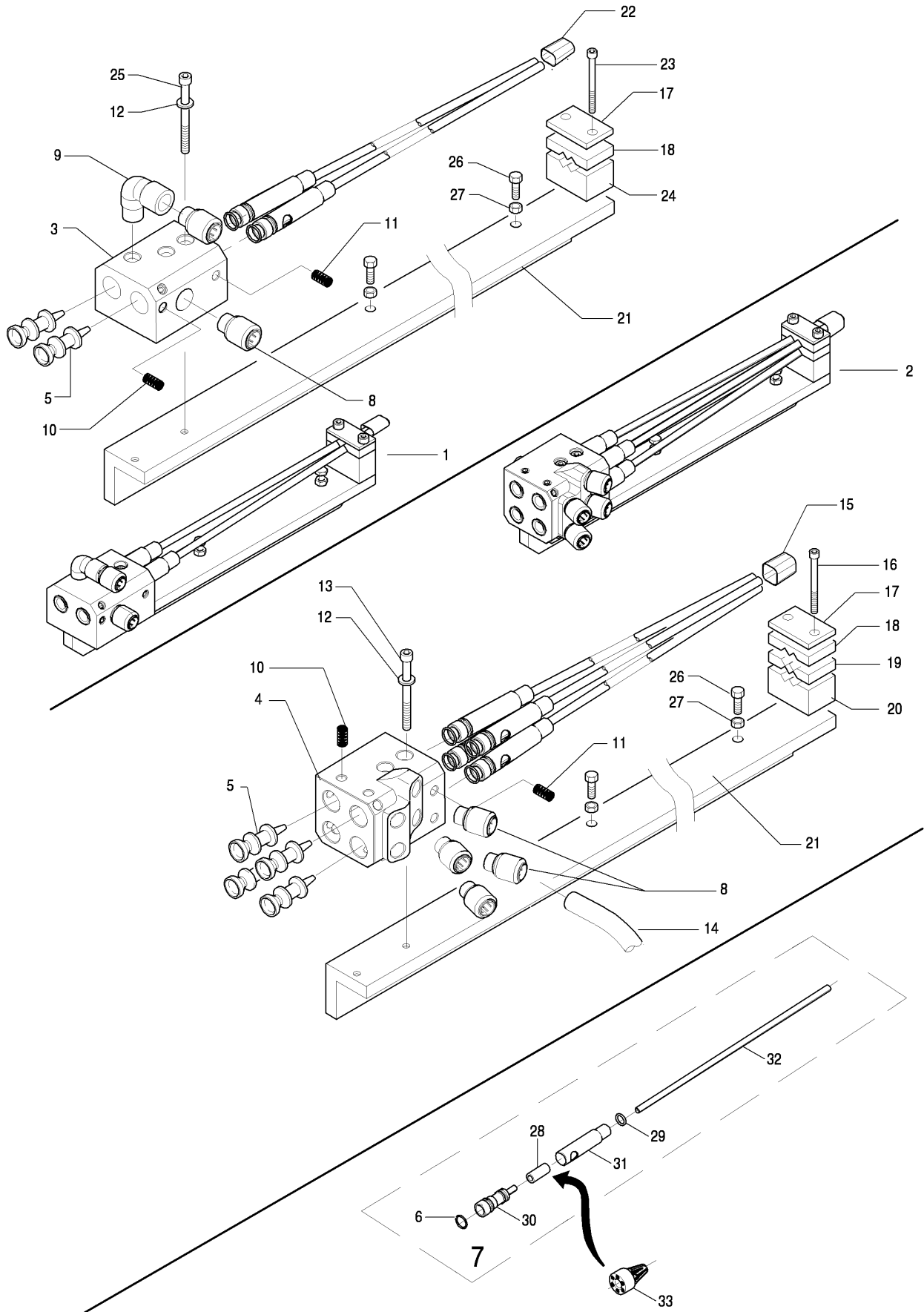
A9500	2 AND 4 COLOUR MAIN LAUNCHING NOZZLES	NA001-00
	Valid lots from to	01/09/2012



A9500	2 AND 4 COLOUR MAIN LAUNCHING NOZZLES		NA001-00
	Valid lots from to		01/09/2012

Pos.	Code	Widths	Remarks	Lots
1	QAKW25A		Ø 1,5mm	
1	QAKW12A		Ø 2,5mm	
2	QAKW000		Ø 1,5mm	
2	QAKW001		Ø 2,5mm	
3	QEKW34A			
4	QEKW26A			
5	QEKW51A		Ø 1,5mm	
5	QEKW30A		Ø 2,5mm	
5	QEKW22A		Ø 2mm	
5	QEKW20A		Ø 3mm	
5	QEKW21A		Ø 4mm	
6	VG13810		guarnizione gaco tipo orm 0085-15	
7	QAKW22A		Ø 1,5mm	
7	QAKW006		Ø 2,5mm	
8	QAKW14A			
9	CPNR021			
10	0032019		grano m6x8 din914 uni5927 brunito	
11	VV19032		grano m6x8 uni5923 cl.45h zincata	
12	VM11004		molla tazza din.2093 8x 4,2x 0,4	
13	VV1602A		vite tcei m4x45 uni5931 cl8.8 zincata	
14	GPE1722		Choose the required length in mt.	
15	EET7805			
16	0021054		vite tcei m4x40 u5931 cl8.8 zincata	
17	QEKW13A			
18	QEKW10A			
19	QEKW11A			
20	QEKW12A			
21	QEKW09A			
22	EET7802			
23	VV16026		vite tcei m4x35 iso4762 cl8.8 zincata	
24	QEKW17A			
25	VV16026		vite tcei m4x35 iso4762 cl8.8 zincata	
26	0011003		vite te m4x20 uni5739 cl8.8 zincata	
27	VD13007		dado esag. m 4 uni5588 cl.8 zincato	

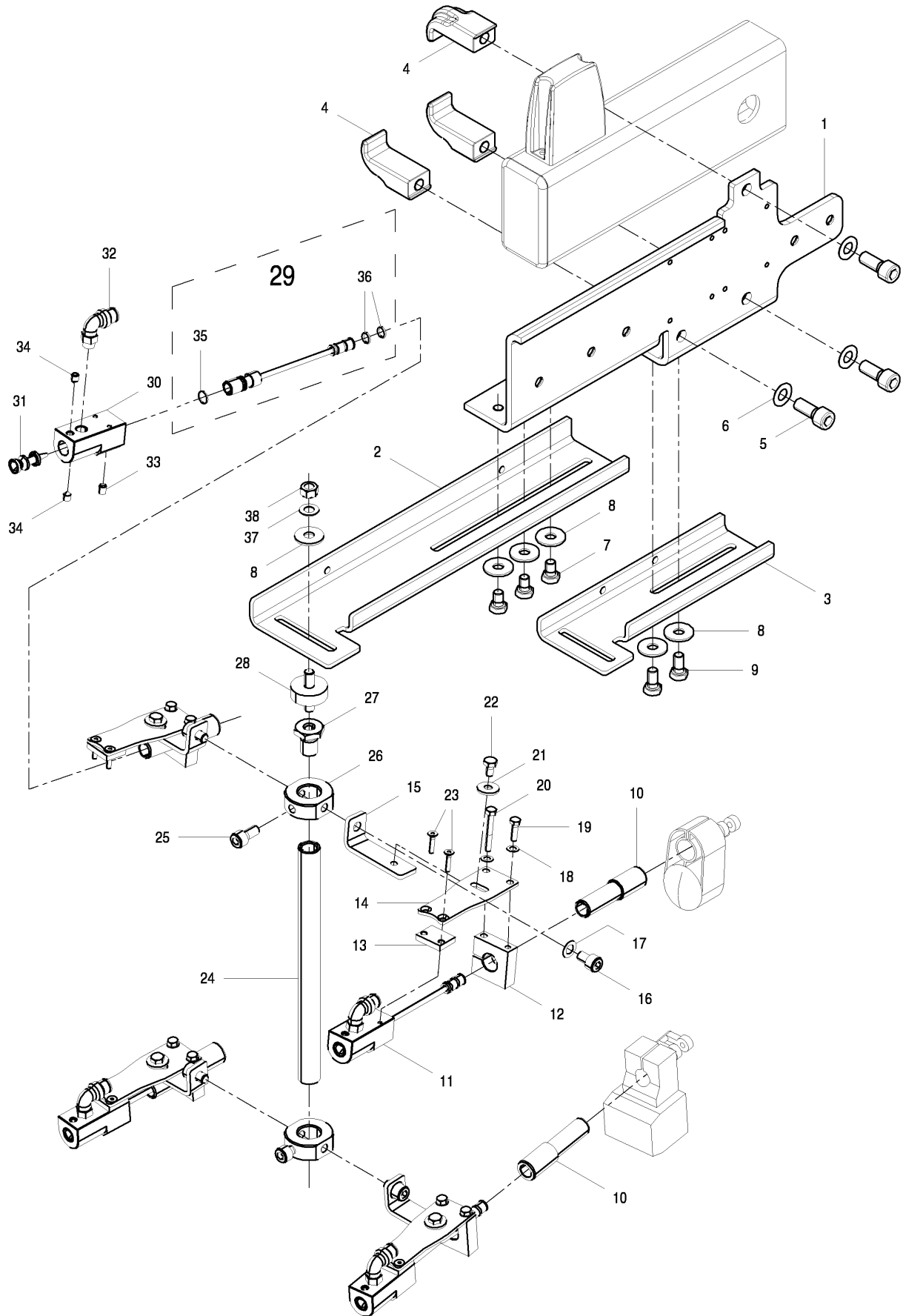
A9500	2 AND 4 COLOUR - B.L.C.- MAIN LAUNCHING NOZZLES	NA005-00
	Valid lots from to	01/09/2012



A9500	2 AND 4 COLOUR - B.L.C.- MAIN LAUNCHING NOZZLES		NA005-00
	Valid lots from to		01/09/2012

Pos.	Code	Widths	Remarks	Lots
1	QAKW019			
2	QAKW020			
3	QEKW34A			
4	QEKW26A			
5	QEKW51A		Ø 1,5mm	
5	QEKW30A		Ø 2,5mm	
5	QEKW22A		Ø 2mm	
5	QEKW20A		Ø 3mm	
5	QEKW21A		Ø 4mm	
6	VG13810		guarnizione gaco tipo orm 0085-15	
7	191150080			
8	QAKW14A			
9	CPNR021			
10	0032019		grano m6x8 din914 uni5927 brunito	
11	VV19032		grano m6x8 uni5923 cl.45h zincata	
12	VM11004		molla tazza din.2093 8x 4,2x 0,4	
13	VV1602A		vite tcei m4x45 uni5931 cl8.8 zincata	
14	GPE1722		Choose the required length in mt.	
15	EET7805			
16	0021054		vite tcei m4x40 u5931 cl8.8 zincata	
17	QEKW13A			
18	QEKW10A			
19	QEKW11A			
20	QEKW12A			
21	QEKW09A			
22	EET7802			
23	VV16026		vite tcei m4x35 iso4762 cl8.8 zincata	
24	QEKW17A			
25	VV16026		vite tcei m4x35 iso4762 cl8.8 zincata	
26	0011003		vite te m4x20 uni5739 cl8.8 zincata	
27	VD13007		dado esag. m 4 uni5588 cl.8 zincato	
28	131150083			
29	VG13508		guarnizione gaco tipo or 106	
30	QEKW030			
31	QEKW031			
32	QEKW032			
33	QAKW017		Ø 2,5mm for LYCRA	

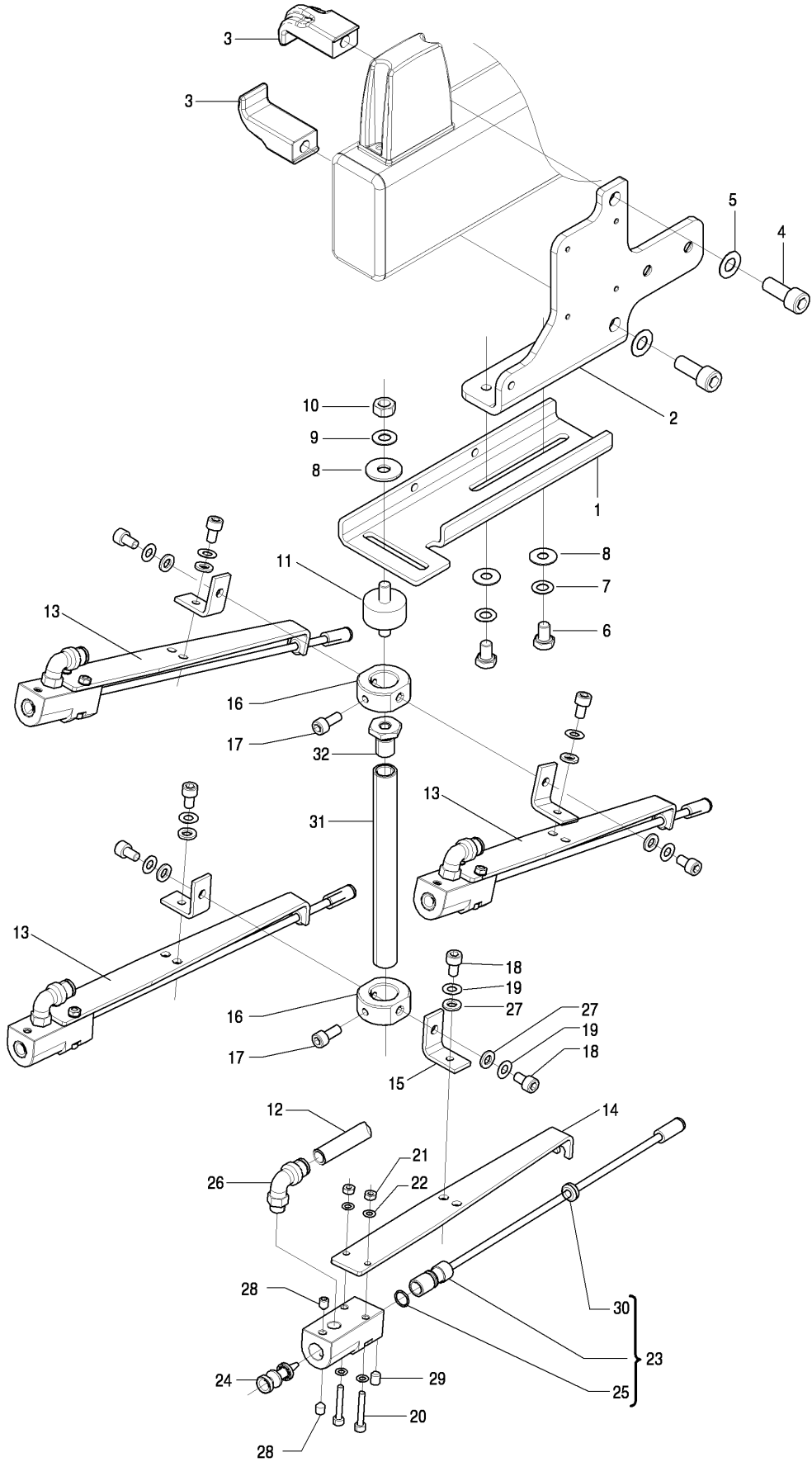
A9500	PRE-PRENOZZLES		NA008-00
	Valid lots from to YF05		13/05/2016



A9500	PRE-PRENOZZLES		NA008-00
	Valid lots from to YF05		13/05/2016

Pos.	Code	Widths	Remarks	Lots
1	131150152			
2	131150153			
3	131150005			
4	QEK320A			
5	110024053			
6	VM11036		molla tazza din.2093 20x10,2x 0,8	
7	0013007		vite te m8x12 uni5739 cl8.8 zincata	
8	0123005		rond.piana d=9x24x2 iso 7093-2 100hv zincata	
9	110013028			
10	131150158			
11	191150153			
12	131150159			
13	131150160			
14	131150157			
15	131150156			
16	110023073			
17	VM11022		molla a tazza din.2093 15x8.2x0.7	
18	0141002		molla a tazza 10x5,2x0,5 din2093	
19	110011045			
20	110001025			
21	0122002		rond.spec.d=6,5x18sp.2 u6593 zincata	
22	110012000			
23	VV18011		vite tspei m4x18 uni5933 cl10.9 zincata	
24	131150161			
25	110023074			
26	131150155			
27	131150162			
28	0463029		antivibrante puffer 3010am8 m8x14 45sh	
29	191150152			
30	131150163			
31	QEKW30A			
32	CPNR102			
33	VV19032		grano m6x8 uni5923 cl.45h zincata	
34	0032019		grano m6x8 din914 uni5927 brunito	
35	VG13810		guarnizione gaco tipo orm 0085-15	
36	0381001		anello tenuta or106 6,75x1,78	
37	VM11025		molla tazza din.2093 16x 8,2x 0,9	
38	110103010			

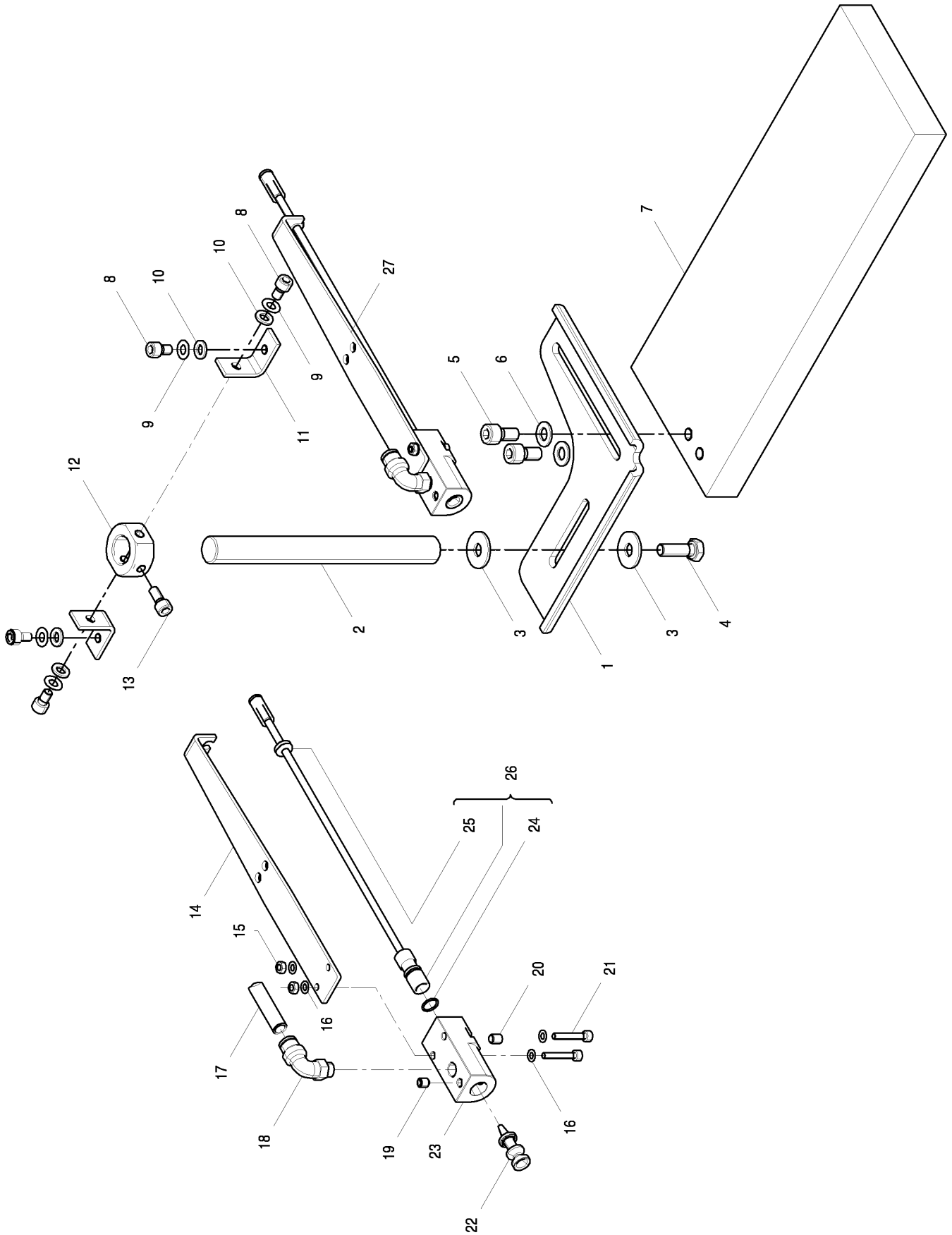
A9500	PRENOZZLES	NA010-00
	Valid lots from to	11/05/2016



A9500	PRENOZZLES		NA010-00
	Valid lots from to		11/05/2016

Pos.	Code	Widths	Remarks	Lots
1	131150005			
2	131150006			
3	QEK320A			
4	110024053			
5	VM11036		molla tazza din.2093 20x10,2x 0,8	
6	110013028			
7	VM11022		molla a tazza din.2093 15x8.2x0.7	
8	0123005		rond.piana d=9x24x2 iso 7093-2 100hv zincata	
9	VM11025		molla tazza din.2093 16x 8,2x 0,9	
10	110103010			
11	0463032		antivibrante puffer 3015a m8x15 -65sh	
12	GPE1722		Choose the required length in mt.	
13	QAKW24A		Ø 1,5mm	
13	QAKW08A		Ø 2,5mm	
14	FK6023A			
15	FK6025A			
15	131150156		For tandem auxiliary main nozzle	
16	QEK608A			
16	131150155		For tandem auxiliary main nozzle	
17	0022022		vite tcei m6x14 u5931 cl8.8 zincata	
17	110023074		For tandem auxiliary main nozzle	
18	110022101			
18	110023073		For tandem auxiliary main nozzle	
19	VM11016		molla tazza din.2093 12,5x 6,2x 0,5	
19	VM11022		molla a tazza din.2093 15x8.2x0.7 * For tandem auxiliary main nozzle	
20	0021006		vite tcei m4x25 u5931 cl8.8 zincata	
21	VD13007		dado esag. m 4 uni5588 cl.8 zincato	
22	VM11004		molla tazza din.2093 8x 4,2x 0,4	
23	QAKW23A		Ø 1,5mm	
23	QAKW007		Ø 2,5mm	
24	QEKW51A		Ø 1,5mm	
24	QEKW30A		Ø 2,5mm	
25	VG13810		guarnizione gaco tipo orm 0085-15	
26	CPNR102			
27	0122001		rond.piana d=6,4 uni6592 zincata	
28	0032019		grano m6x8 din914 uni5927 brunito	
29	VV19032		grano m6x8 uni5923 cl.45h zincata	
30	EEP036B			
31	131150167			
31	131150161		For tandem auxiliary main nozzle	
32	131150162			

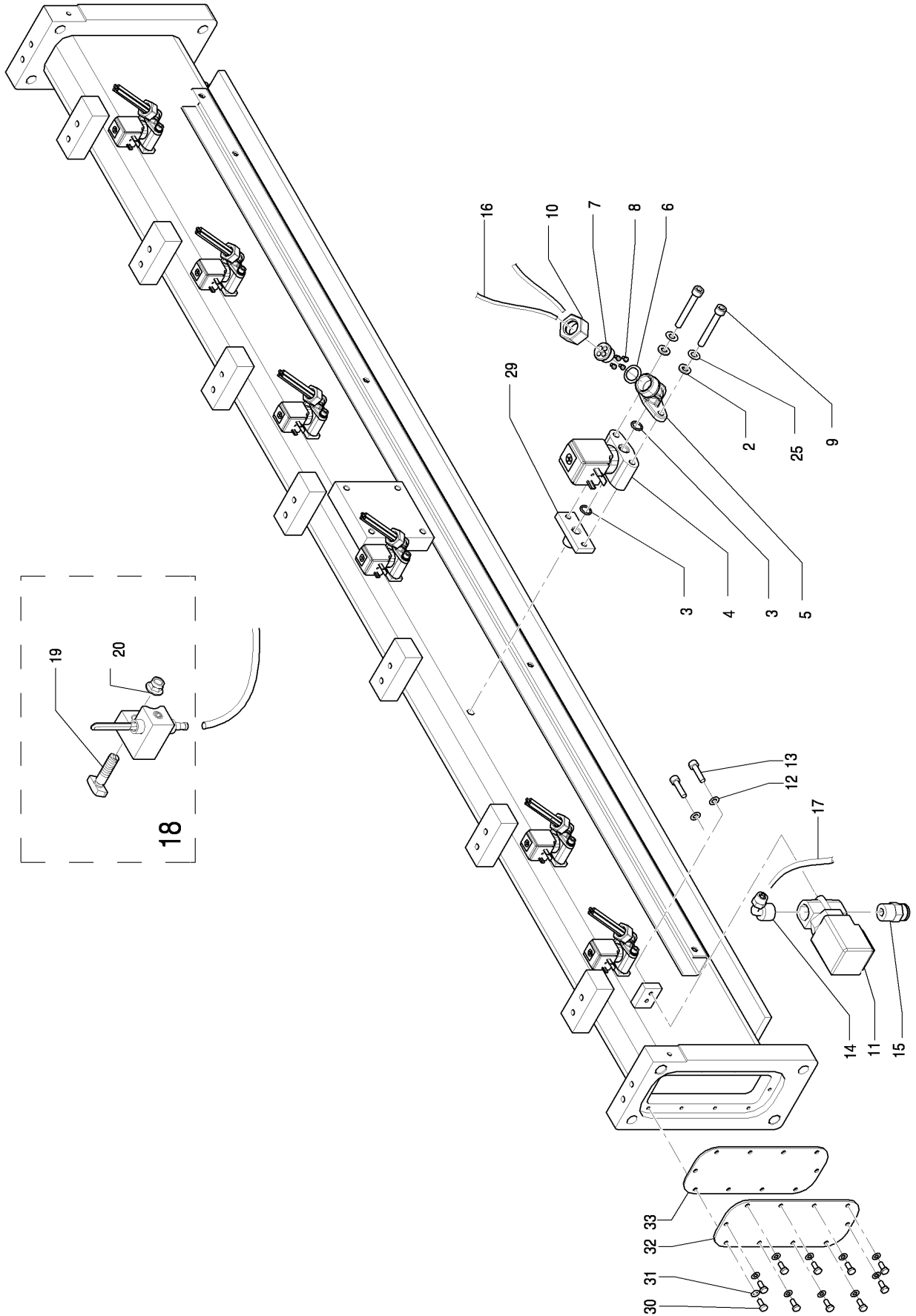
A9500	PRENOZZLES - A9500e	NA012-00
	Valid lots from to	27/07/2015



A9500	PRENOZZLES - A9500e		NA012-00
	Valid lots from to		27/07/2015

Pos.	Code	Widths	Remarks	Lots
1	131150111			
2	131150003			
3	0123005		rond.piana d=9x24x2 iso 7093-2 100hv zincata	
4	110013030			
5	110023074			
6	0123001		rond.piana d=8,4 uni6592 zincata	
7	131150121			
8	110022101			
9	VM11016		molla tazza din.2093 12,5x 6,2x 0,5	
10	0122001		rond.piana d=6,4 uni6592 zincata	
11	131150002			
12	QEK608A			
13	0022022		vite tcei m6x14 u5931 cl8.8 zincata	
14	FK6023A			
15	0101001		dado esag. m4 uni5588 cl.8 zincato	
16	VM11004		molla tazza din.2093 8x 4,2x 0,4	
17	GPE1722			
18	CPNR102			
19	0032019		grano m6x8 din914 uni5927 brunito	
20	VV19032		grano m6x8 uni5923 cl.45h zincata	
21	0021006		vite tcei m4x25 u5931 cl8.8 zincata	
22	QEKW51A		Ø 1,5mm	
22	QEKW30A		Ø 2,5mm	
22	QEKW22A		Ø 2mm	
22	QEKW20A		Ø 3mm	
22	QEKW21A		Ø 4mm	
23	QEKW29A			
24	VG13810		guarnizione gaco tipo orm 0085-15	
25	EEP036B			
26	QAKW23A		Ø 1,5mm	
26	QAKW007		Ø 2,5mm	
27	QAKW24A		Ø 1,5mm	
27	QAKW08A		Ø 2,5mm	

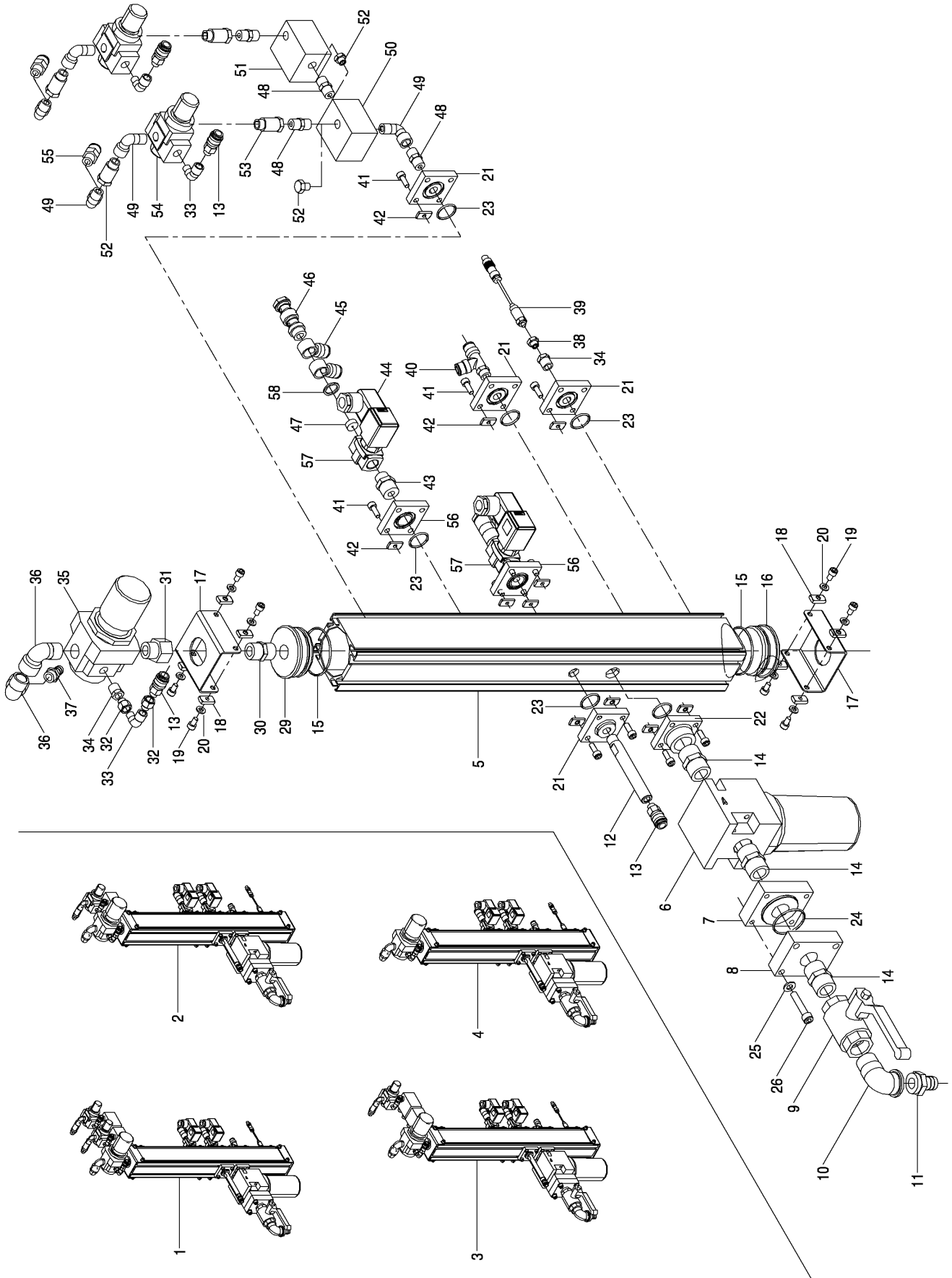
A9500	SOLENOID VALVES AND NOZZLE		NA015-00
	Valid lots from to		06/09/2016



A9500	SOLENOID VALVES AND NOZZLE		NA015-00
	Valid lots from to		06/09/2016

Pos.	Code	Widths	Remarks	Lots
2	0122001		rond.piana d=6,4 uni6592 zincata	
3	0382015		anello tenuta or108 8,73x1,78	
4	110488044			
5	QEKE03A			
6	VG17090		guarnizione gaco in nbr orm 0150-10	
7	QEKE0AA		1-way distributor	
7	QEKE06A		2-way distributor	
7	QEKE0BA		3-way distributor	
7	QEKE07A		4-way distributor	
7	QEKE09A		Plug	
8	FH3004A			
9	110022109			
10	QEKE08A			
11	0488043		elettrovalvola smc art. avj3220-5d-03-x133	
12	0141002		molla a tazza 10x5,2x0,5 din2093	
13	0021014		vite tcei m5x20 u5931 cl8.8 zincata	
14	CPNR00C			
15	CPNR084			
16	GPE1736		Choose the required length in mt.	
17	GPE1721		Choose the required length in mt.	
18	QAKW016		Multihole relay nozzle - C - * Abrasive fabrics	
18	QAKW19A		Multihole relay nozzle - C - * Cotton fabric	
18	QAKW010		Multihole relay nozzle - C - * Synthetic fabrics	
18	191150110		Single hole relay nozzle	
18	191150109		Single hole relay nozzle for i-reed	
18	191150131		Single hole relay nozzle lowered	
19	2110966			
20	0111020		dado autofrenante m5 con flangia liscia u.en1663	
25	VM11016		molla tazza din.2093 12,5x 6,2x 0,5	
26	EH3094A			
27	0021013		vite tcei m5x18 u5931 cl8.8 zincata	
28	VM11009		molla tazza din.2093 10x 5,2x 0,5	
29	131110097			
30	0012025		vite te m6x14 u5739 cl8.8 zincata	
31	VM11016		molla tazza din.2093 12,5x 6,2x 0,5	
32	131150000			
33	131110109			

A9500	MAIN ADJUSTERS PNEUMATIC PANEL 2 COLOURS	NA020-00
	Valid lots from to YE12	01/10/2015



A9500	MAIN ADJUSTERS PNEUMATIC PANEL 2 COLOURS		NA020-00
	Valid lots from to YE12		01/10/2015

Pos.	Code	Widths	Remarks	Lots
1	191150020			
2	191150028			
3	191150053			
4	191150035			
5	131150056		Valid parts for 2 - colour pneumatic unit	
6	0483040		filtro metalwork 82867f9 nd3/4 4 rmsa con deflett.	
7	131150051			
8	131150057			
9	CPNR910			
10	CPNR025			
11	CPNP101			
12	131150050			
13	CPNJ001			
14	CPNN164			
15	0389001		anello tenuta or3225 56,82x2,62	
16	131150042			
17	131150044			
18	EH1423A			
19	110022101			
20	0122001		rond.piana d=6,4 uni6592 zincata	
21	131150045			
22	131150049			
23	0384026		anello tenuta or 130 22,22x2,62	
24	0388016		anello tenuta or3156 39,34x2,62	
25	0123001		rond.piana d=8,4 uni6592 zincata	
26	0023070		vite tcei m8x40-8.8 iso4762 brunita	
29	131150043			
30	CPNN163			
31	CPNP203			
32	CPNP209			
33	CPNR021			
34	CPNR19V			
35	CPNR35C			
36	CPNR024			
37	CPNP11B			
38	0482059		riduzione mf 1/8 -m5 mod.2531	
39	151180264			
40	CPNR145			
41	110022103			
42	QEK214A			
43	CPNN187			
44	EEC629H			
45	CPNR161			
46	0482323		vite cava tipo camozzi 1635 02-3/8	
47	131150055			
48	CPNN161			
49	0482220		racc.rap.mod.2020 1/4 camozzi	
50	131150046			
51	131150047			
52	CPNT212			
53	CPNP212			
54	0494017		regolatore press. smc ar20-f02h- 1/4	
55	CPNR083			
56	131150048			
57	0488043		elettrovalvola smc art. avj3220-5d-03-x133	

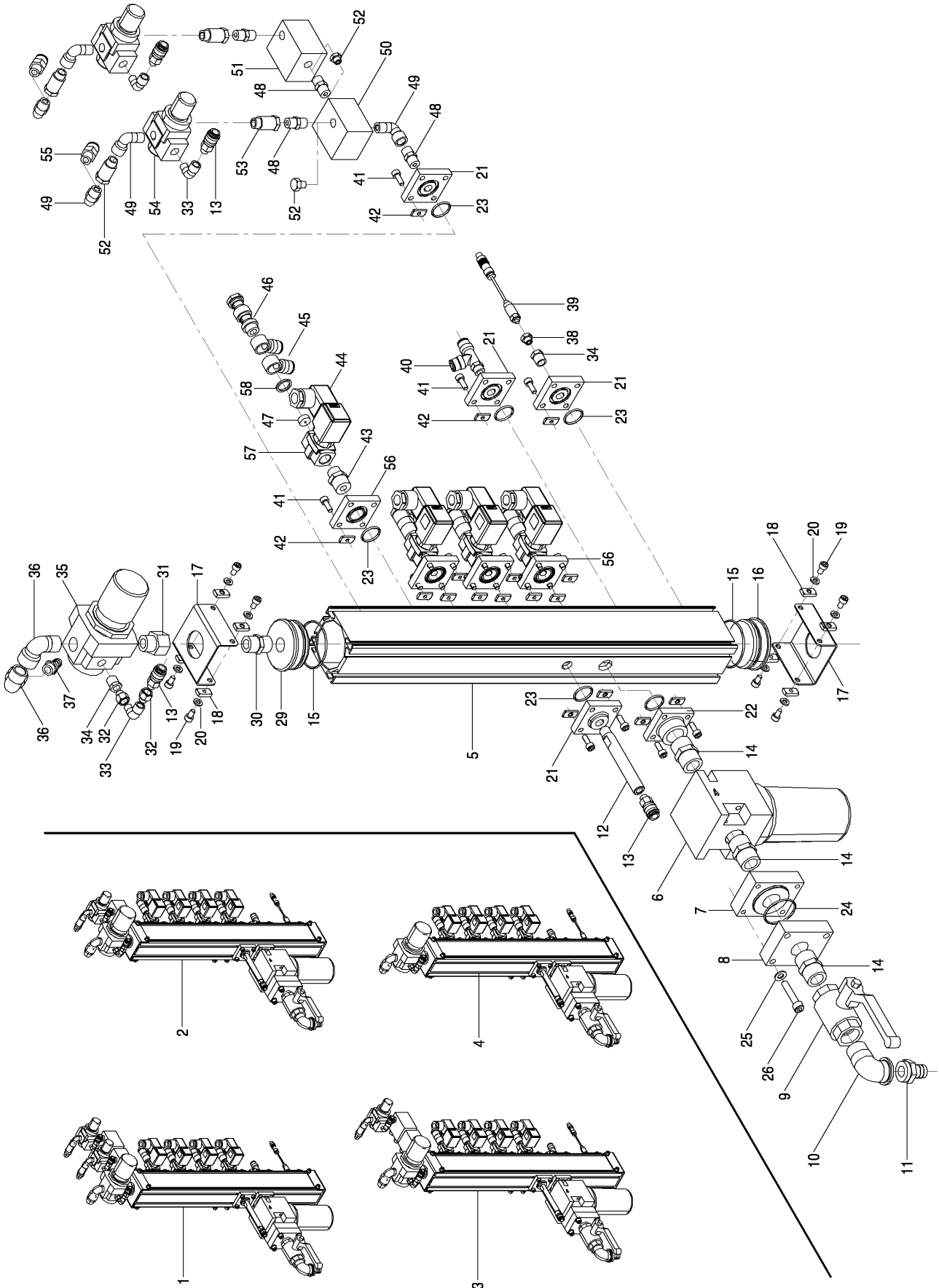
A9500	MAIN ADJUSTERS PNEUMATIC PANEL 2 COLOURS			NA020-00
	Valid lots from to YE12			01/10/2015

Pos.	Code	Widths	Remarks	Lots
------	------	--------	---------	------

58	CPNG115			
----	---------	--	--	--

A9500		
-------	--	--

A9500	MAIN ADJUSTERS PNEUMATIC PANEL 4 COLOURS	NA025-00
	Valid lots from to YE12	01/10/2015



A9500	MAIN ADJUSTERS PNEUMATIC PANEL 4 COLOURS		NA025-00
	Valid lots from to YE12		01/10/2015

Pos.	Code	Widths	Remarks	Lots
1	191150011			
2	191150044			
3	191150052			
4	191150045			
5	131150041		Valid parts for 4 - colour pneumatic unit	
6	0483040		filtro metalwork 82867f9 nd3/4 4 rmsa con deflett.	
7	131150051			
8	131150057			
9	CPNR910			
10	CPNR025			
11	CPNP101			
12	131150050			
13	CPNJ001			
14	CPNN164			
15	0389001		anello tenuta or3225 56,82x2,62	
16	131150042			
17	131150044			
18	EH1423A			
19	110022101			
20	0122001		rond.piana d=6,4 uni6592 zincata	
21	131150045			
22	131150049			
23	0384026		anello tenuta or 130 22,22x2,62	
24	0388016		anello tenuta or3156 39,34x2,62	
25	0123001		rond.piana d=8,4 uni6592 zincata	
26	0023070		vite tcei m8x40-8.8 iso4762 brunita	
29	131150043			
30	CPNN163			
31	CPNP203			
32	CPNP209			
33	CPNR021			
34	CPNR19V			
35	CPNR35C			
36	CPNR024			
37	CPNP11B			
38	0482059		riduzione mf 1/8 -m5 mod.2531	
39	151180264			
40	CPNR145			
41	110022103			
42	QEK214A			
43	CPNN187			
44	EEC629H			
45	CPNR161			
46	0482323		vite cava tipo camozzi 1635 02-3/8	
47	131150055			
48	CPNN161			
49	0482220		racc.rap.mod.2020 1/4 camozzi	
50	131150046			
51	131150047			
52	CPNT212			
53	CPNP212			
54	0494017		regolatore press. smc ar20-f02h- 1/4	
55	CPNR083			
56	131150048			
57	0488043		elettrovalvola smc art. avj3220-5d-03-x133	

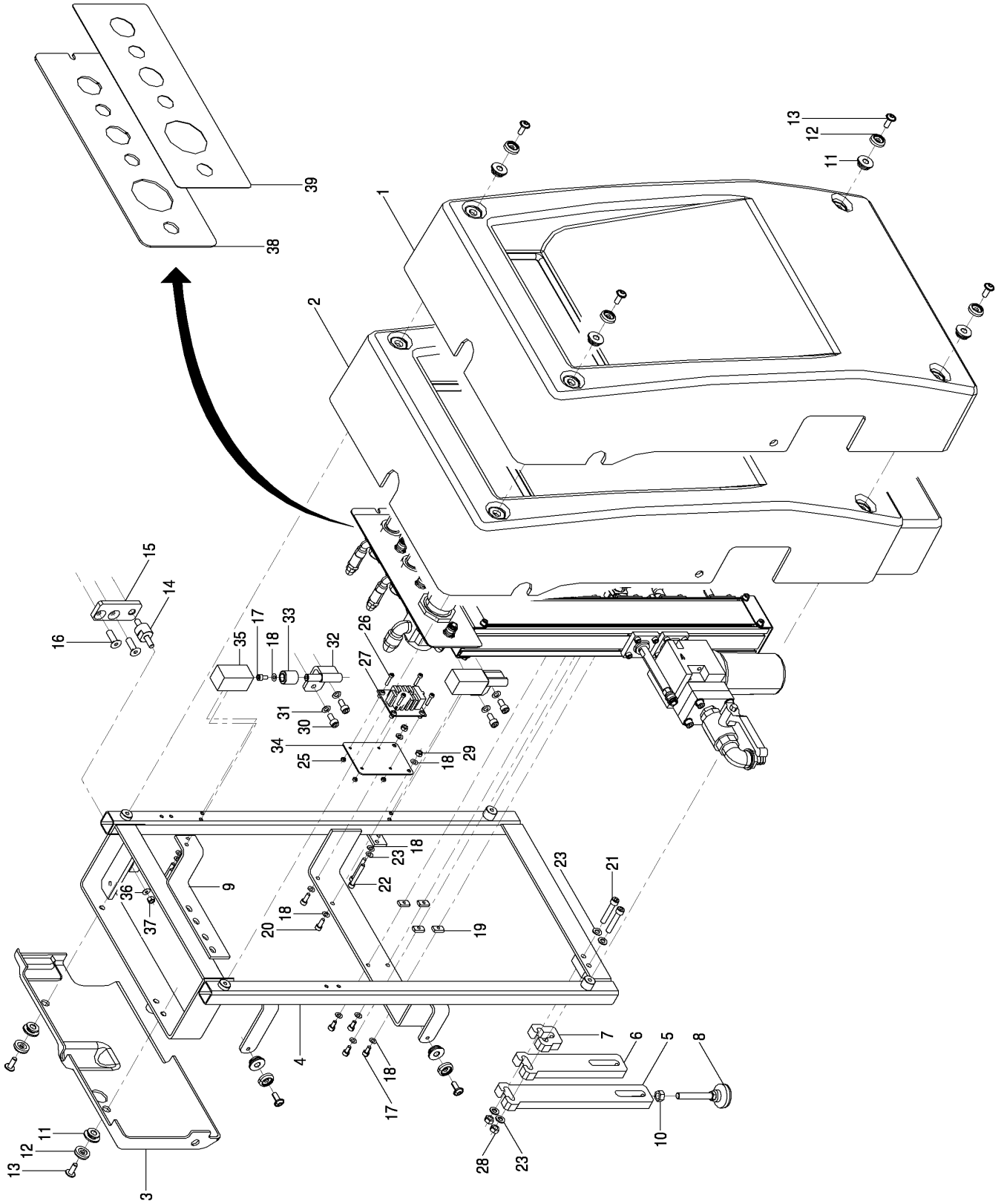
A9500	MAIN ADJUSTERS PNEUMATIC PANEL 4 COLOURS			NA025-00
	Valid lots from to YE12			01/10/2015

Pos.	Code	Widths	Remarks	Lots
------	------	--------	---------	------

58 CPNG115

A9500		
-------	--	--

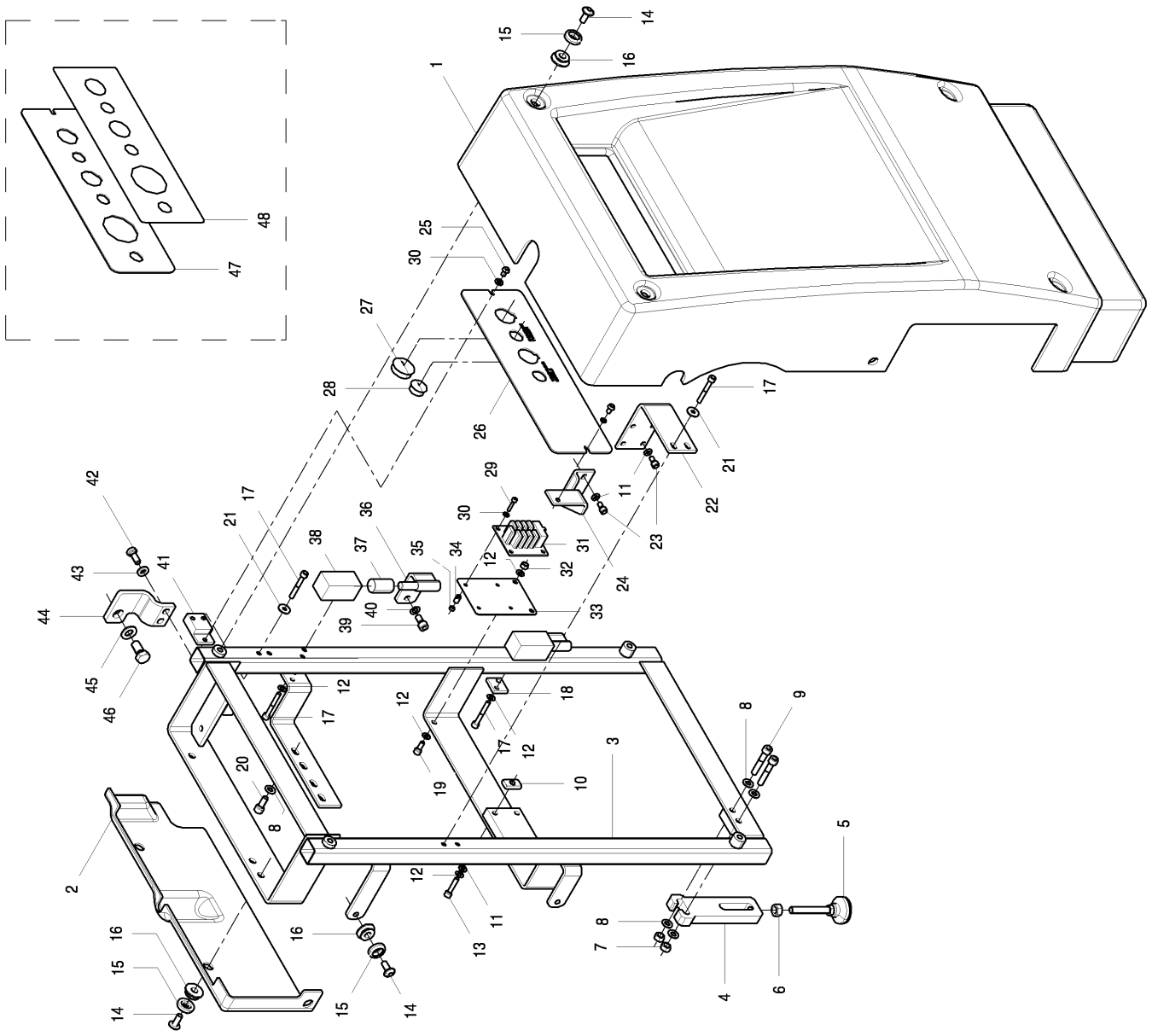
A9500	PNEUMATIC PANEL		NA030-00
	Valid lots from to YE12		01/09/2012



A9500	PNEUMATIC PANEL		NA030-00
	Valid lots from to YE12		01/09/2012

Pos.	Code	Widths	Remarks	Lots
1	131150019		Valid particulars for looms with beam flange =<ø 800.	
2	131150018		Valid particulars for looms with beam flange ø 1000-ø 1100	
3	131150020			
4	131150015			
5	131150077		Valid particulars for looms with beam flange ø 1100.	
6	131150076		Valid particulars for looms with beam flange ø 1000.	
7	131150075		Valid particulars for looms with beam flange =<ø 800.	
8	110464000			
9	131150071			
10	110104007			
11	HDP077A			
12	2558264			
13	0023049		vite tcbei con flang.m8x20 cl.10,9 brunita	
14	131110144			
15	131110135			
16	0045002		vite tspei m12x25 u5933c10.9 zincata	
17	110022102			
18	VM11016		molla tazza din.2093 12,5x 6,2x 0,5	
19	EH1423A			
20	110022103			
21	0023018		vite tcei m8x45-8.8 iso4762 brunita	
22	110022109			
23	0123001		rond.piana d=8,4 uni6592 zincata	
24	131150073			
25	110101019			
26	110021107			
27	151180016			
28	110103010			
29	110102010			
30	110023074			
31	VM11022		molla a tazza din.2093 15x8.2x0.7	
32	131150025			
33	110463033			
34	131150022			
35	131150021			
36	VR17005		rond.piana din 9021 d.30x10,5x3 zn	
37	110104007			
38	131150017			
39	131110161			

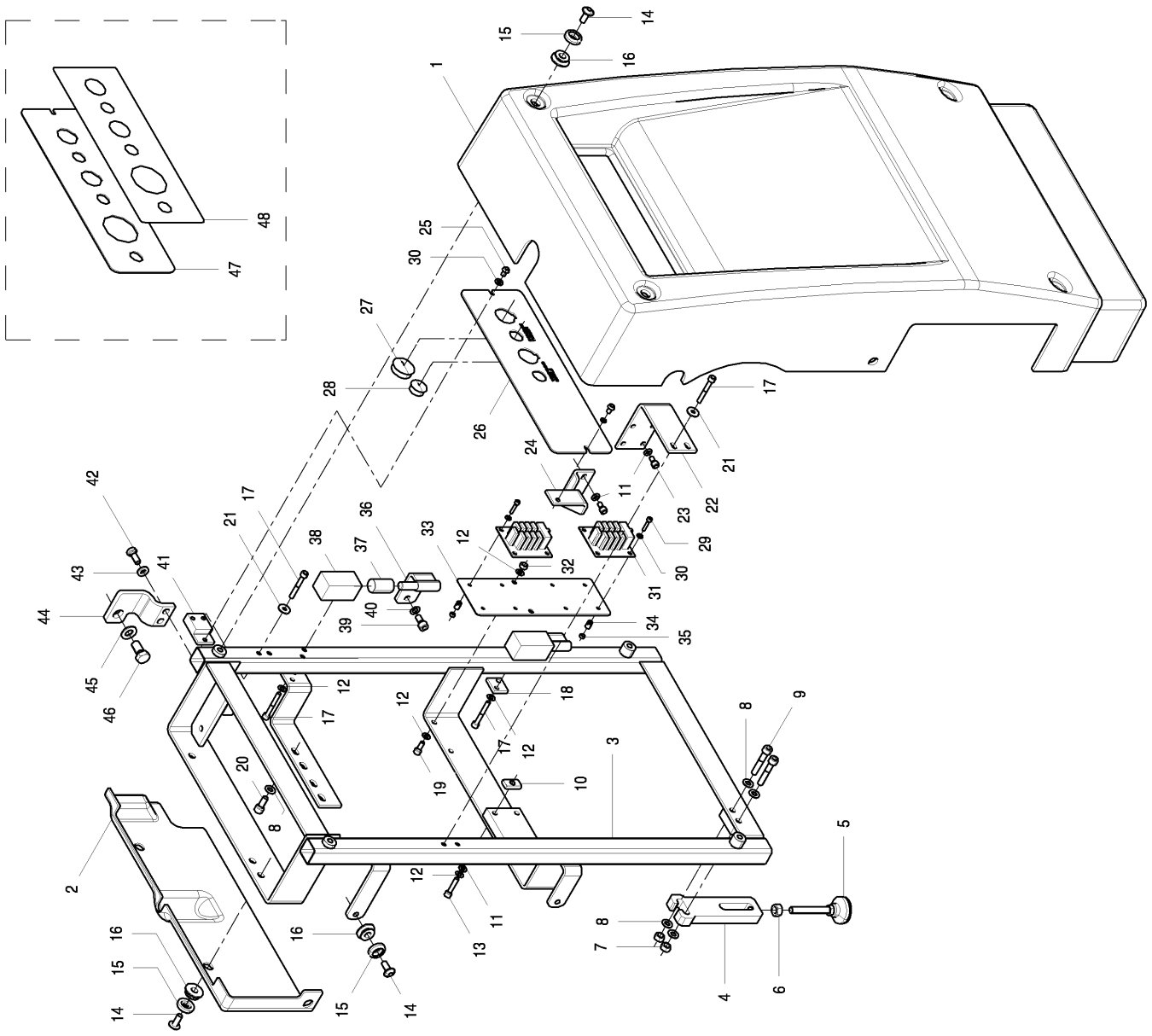
A9500	PNEUMATIC PANEL			NA030-01
	Valid lots from YF01 to			19/11/2015



A9500	PNEUMATIC PANEL			NA030-01
	Valid lots from YF01 to			19/11/2015

Pos.	Code	Widths	Remarks	Lots
1	131150133		Valid particulars for looms with beam flange =<ø 800.	
1	131150134		Valid particulars for looms with beam flange ø 1000-ø 1100	
2	131150135			
3	131150015			
4	131150075		Valid particulars for looms with beam flange =<ø 800.	
4	131150074		Valid particulars for looms with beam flange ø 1000.	
4	131150077		Valid particulars for looms with beam flange ø 1100.	
5	110464000			
6	110104007			
7	110103010			
8	0123001		rond.piana d=8,4 uni6592 zincata	
9	0023018		vite tcei m8x45-8.8 iso4762 brunita	
10	EH1423A			
11	0122001		rond.piana d=6,4 uni6592 zincata	
12	VM11016		molla tazza din.2093 12,5x 6,2x 0,5	
13	110022106			
14	0023049		vite tcbei con flang.m8x20 cl.10,9 brunita	
15	2558264			
16	2558334			
17	110022109			
18	131150073			
19	110022103			
20	110023075			
21	0122002		rond.spec.d=6,5x18sp.2 u6593 zincata	
22	131150139			
23	110022102			
24	131150146			
25	VV18517		vite tbei m6x10-10.9 iso7380 brunita	
26	131150142			
27	VT10006		tappo a scatto heyco dp-1250 per foro d=31,7	
28	VT10011		tappo a scatto heyco dp875	
29	110021107			
30	0121001		rond.piana d=4,3 uni6592 zincata	
31	151181861			
32	110102010			
33	131150022			
34	110827045			
35	110101019			
36	131150149			
37	131150100			
38	131150099			
39	110023074			
40	VM11022		molla a tazza din.2093 15x8.2x0.7	
41	131150074			
42	110013029			
43	0123016		rond.spec.d=8,4x17x3 zincata	
44	131150131			
45	0125001		rond.piana d=13 uni6592 zincata	
46	110015020			
47	131150017		Manual control nozzle version	
48	131110161		Manual control nozzle version	

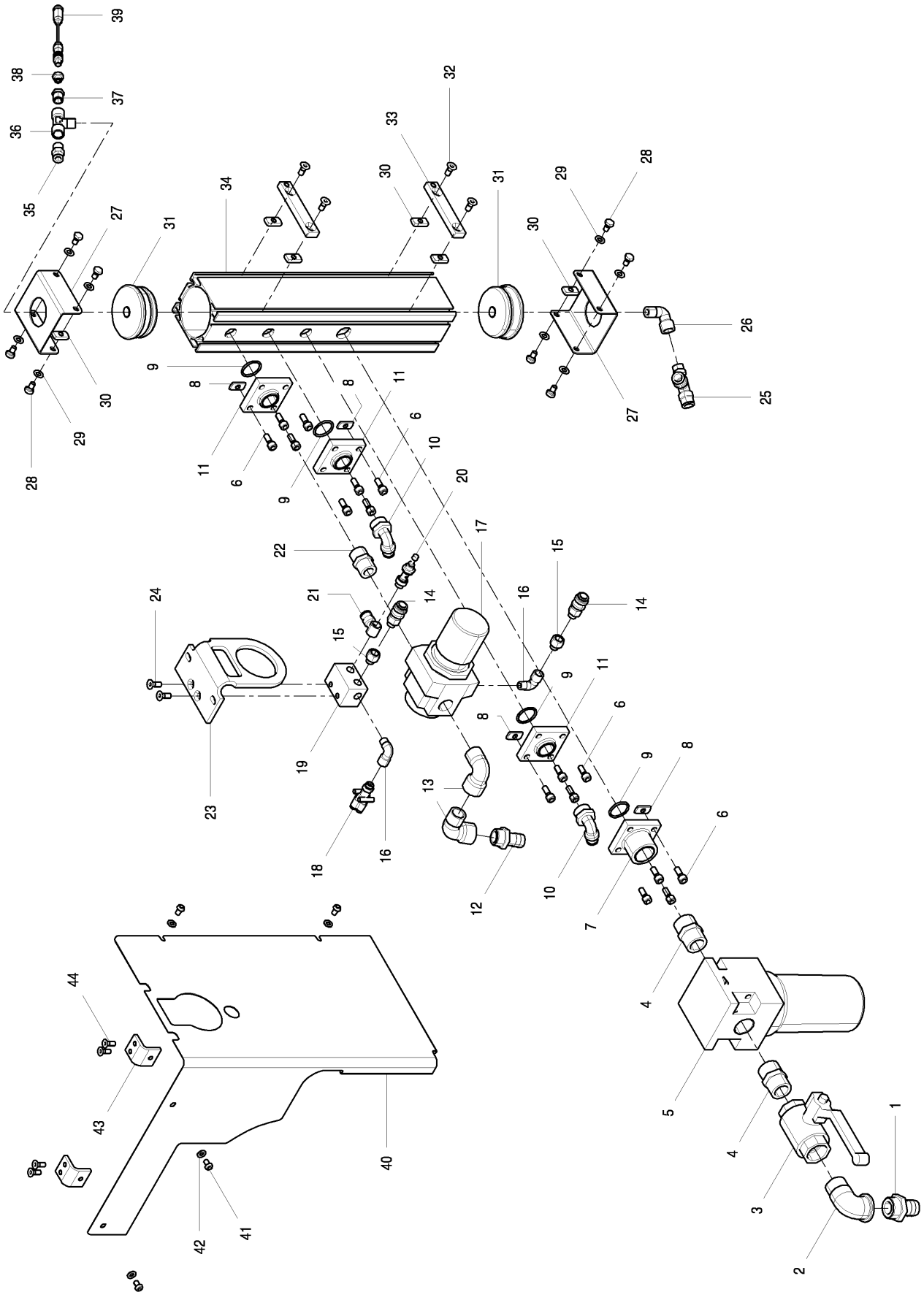
A9500	PNEUMATIC PANEL WITH TANDEM EXTENSION NOZZLE	NA031-00
	Valid lots from to	20/11/2015



A9500	PNEUMATIC PANEL WITH TANDEM EXTENSION NOZZLE		NA031-00
	Valid lots from to		20/11/2015

Pos.	Code	Widths	Remarks	Lots
1	131150133		Valid particulars for looms with beam flange =$\leq \varnothing 800.$	
1	131150134		Valid particulars for looms with beam flange $\varnothing 1000-\varnothing 1100$	
2	131150135			
3	131150015			
4	131150075		Valid particulars for looms with beam flange =$\leq \varnothing 800.$	
4	131150074		Valid particulars for looms with beam flange $\varnothing 1000.$	
4	131150077		Valid particulars for looms with beam flange $\varnothing 1100.$	
5	110464000			
6	110104007			
7	110103010			
8	0123001		rond.piana d=8,4 uni6592 zincata	
9	0023018		vite tcei m8x45-8.8 iso4762 brunita	
10	EH1423A			
11	0122001		rond.piana d=6,4 uni6592 zincata	
12	VM11016		molla tazza din.2093 12,5x 6,2x 0,5	
13	110022106			
14	0023049		vite tcbei con flang.m8x20 cl.10,9 brunita	
15	2558264			
16	2558334			
17	110022109			
18	131150073			
19	110022103			
20	110023075			
21	0122002		rond.spec.d=6,5x18sp.2 u6593 zincata	
22	131150139			
23	110022102			
24	131150146			
25	VV18517		vite tbei m6x10-10.9 iso7380 brunita	
26	131150142			
27	VT10006		tappo a scatto heyco dp-1250 per foro d=31,7	
28	VT10011		tappo a scatto heyco dp875	
29	110021107			
30	0121001		rond.piana d=4,3 uni6592 zincata	
31	151181861			
32	110102010			
33	131150094			
34	110827045			
35	110101019			
36	131150149			
37	131150100			
38	131150099			
39	110023074			
40	VM11022		molla a tazza din.2093 15x8.2x0.7	
41	131150074			
42	110013029			
43	0123016		rond.spec.d=8,4x17x3 zincata	
44	131150131			
45	0125001		rond.piana d=13 uni6592 zincata	
46	110015020			
47	131150017		Manual control nozzle version	
48	131110161		Manual control nozzle version	

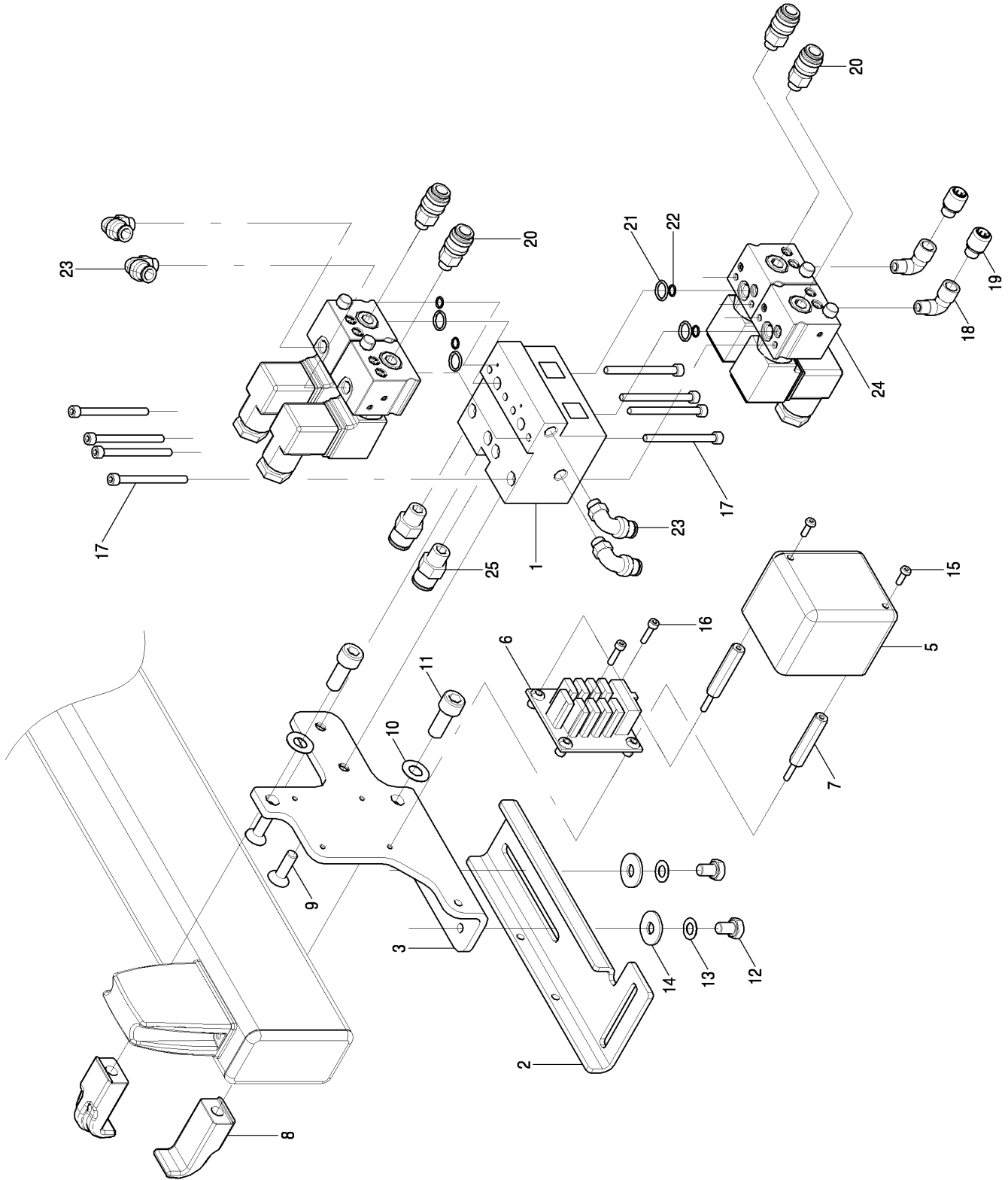
A9500	PNEUMATIC PANEL -A9500e		NA032-00
	Valid lots from to		27/07/2015



A9500	PNEUMATIC PANEL -A9500e		NA032-00
	Valid lots from to		27/07/2015

Pos.	Code	Widths	Remarks	Lots
1	CPNP101			
2	CPNR025			
3	CPNR910			
4	CPNN164			
5	0483040		filtro metalwork 82867f9 nd3/4 4 rmsa con deflett.	
6	110022103			
7	131150125			
8	QEK214A			
9	0384026		anello tenuta or 130 22,22x2,62	
10	CPNR107			
11	131150048			
12	CPNP11B			
13	CPNR024			
14	CPNJ001			
15	CPNP209			
16	CPNR021			
17	CPNR35C			
18	110482349			
19	131150124			
20	CPNR702			
21	110482348			
22	CPNN163			
23	131150117			
24	0042006		vite tspei m6x16 u5933c10.9 zincata	
25	CPNR145			
26	0482220		racc.rap.mod.2020 1/4 camozzi	
27	131150044			
28	0012020		vite te m6x10 uni5739 cl8.8 zincata	
29	VM11016		molla tazza din.2093 12,5x 6,2x 0,5	
30	EH1423A			
31	131150115			
32	VV18162		vite tspei m6x14 uni5933 cl10.9 zincata	
33	131150109			
34	131150114			
35	CPNR081			
36	110482350			
37	CPNR19V			
38	0482059		riduzione mf 1/8 -m5 mod.2531	
39	151180264			
40	131150141			
41	0122001		rond.piana d=6,4 uni6592 zincata	
42	131150108			
43	0042006		vite tspei m6x16 u5933c10.9 zincata	
44	131150141			

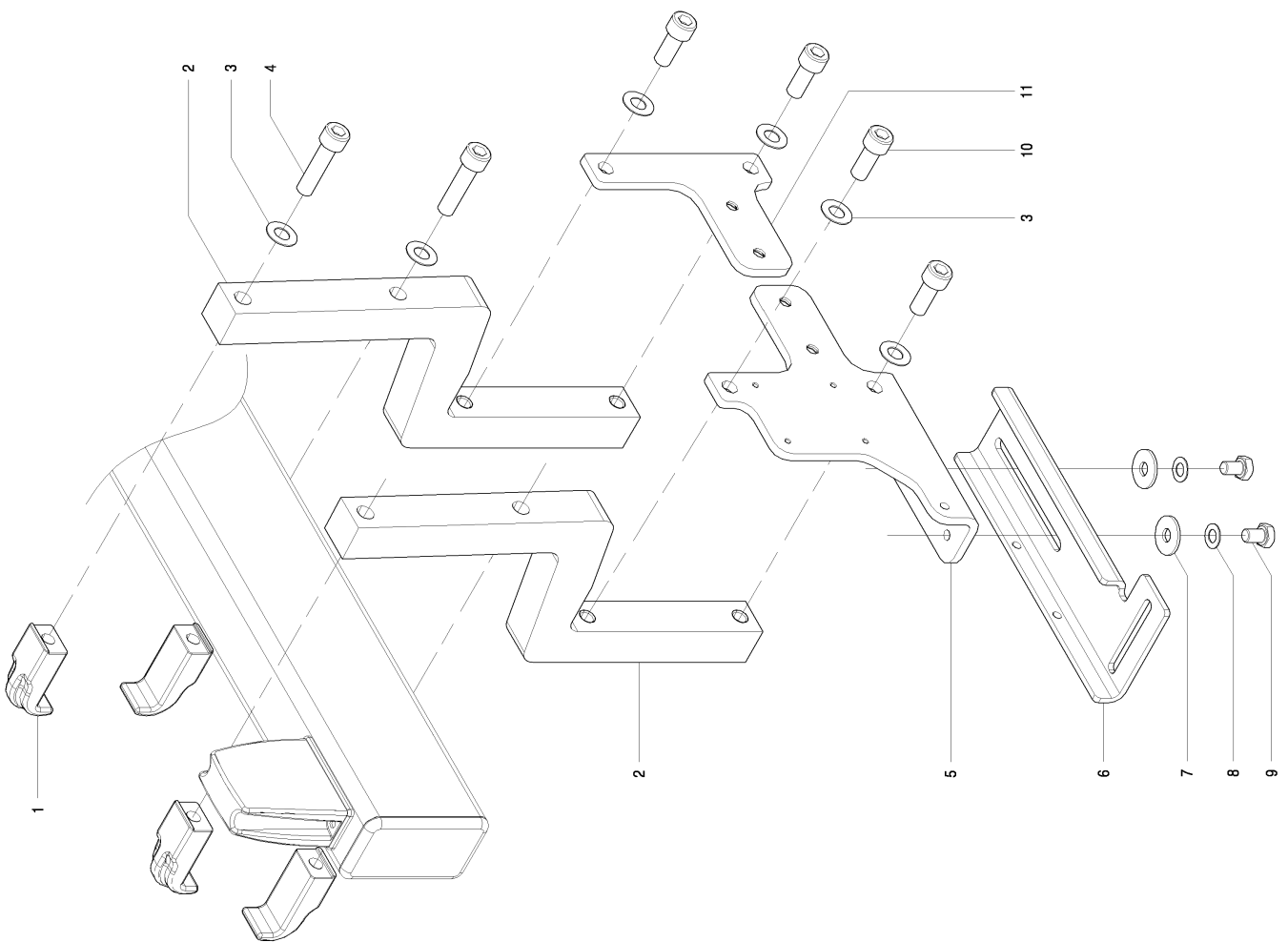
A9500	PNEUMATIC MODULE 2 COLOURS	NA035-00
	Valid lots from to	01/09/2012



A9500	PNEUMATIC MODULE 2 COLOURS		NA035-00
	Valid lots from to		01/09/2012

Pos.	Code	Widths	Remarks	Lots
1	131150008			
2	131150005			
3	131150006			
5	131150004			
6	151180016			
7	131180025			
8	QEK320A			
9	0043003		vite tspei m8x25 u5933c10.9 zincata	
10	VM11036		molla tazza din.2093 20x10,2x 0,8	
11	110024053			
12	110013028			
13	VM11022		molla a tazza din.2093 15x8.2x0.7	
14	0123005		rond.piana d=9x24x2 iso 7093-2 100hv zincata	
15	VV18509		vite tbei m4x12-10.9 iso7380 zincata	
16	110021106			
17	110021121			
18	CPNR021			
19	QAKW14A			
20	CPNJ001			
21	VG13512		guarnizione gaco tipo or 2043 10,82x1,78 (27917)	
22	VG13506		guarnizione gaco tipo or 2021	
23	CPNR102			
24	EEE5252			
25	CPNR083			

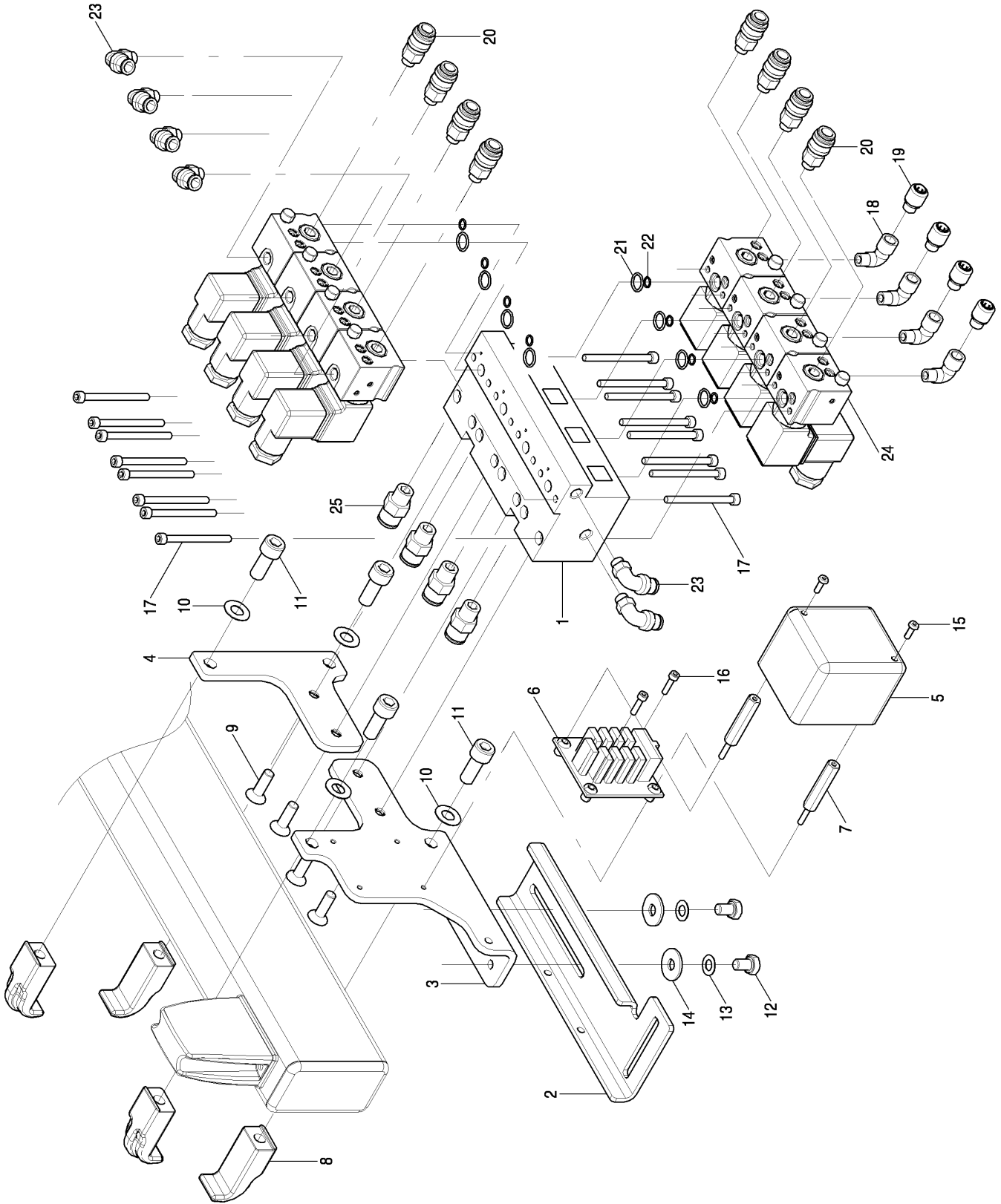
A9500	PNEUMATIC MODULE 4 COLOURS HOOKING FOR JACQUARD VERSION	NA037-00
	Valid lots from to	01/06/2017



A9500	PNEUMATIC MODULE 4 COLOURS HOOKING FOR JACQUARD VERSION		NA037-00
	Valid lots from to		01/06/2017

Pos.	Code	Widths	Remarks	Lots
1	QEK320A			
2	131150190			
3	VM11036		molla tazza din.2093 20x10,2x 0,8	
4	110024056			
5	131150006			
6	131150005			
7	0123005		rond.piana d=9x24x2 iso 7093-2 100hv zincata	
8	VM11022		molla a tazza din.2093 15x8.2x0.7	
9	110013028			
10	110024053			
11	131150007			

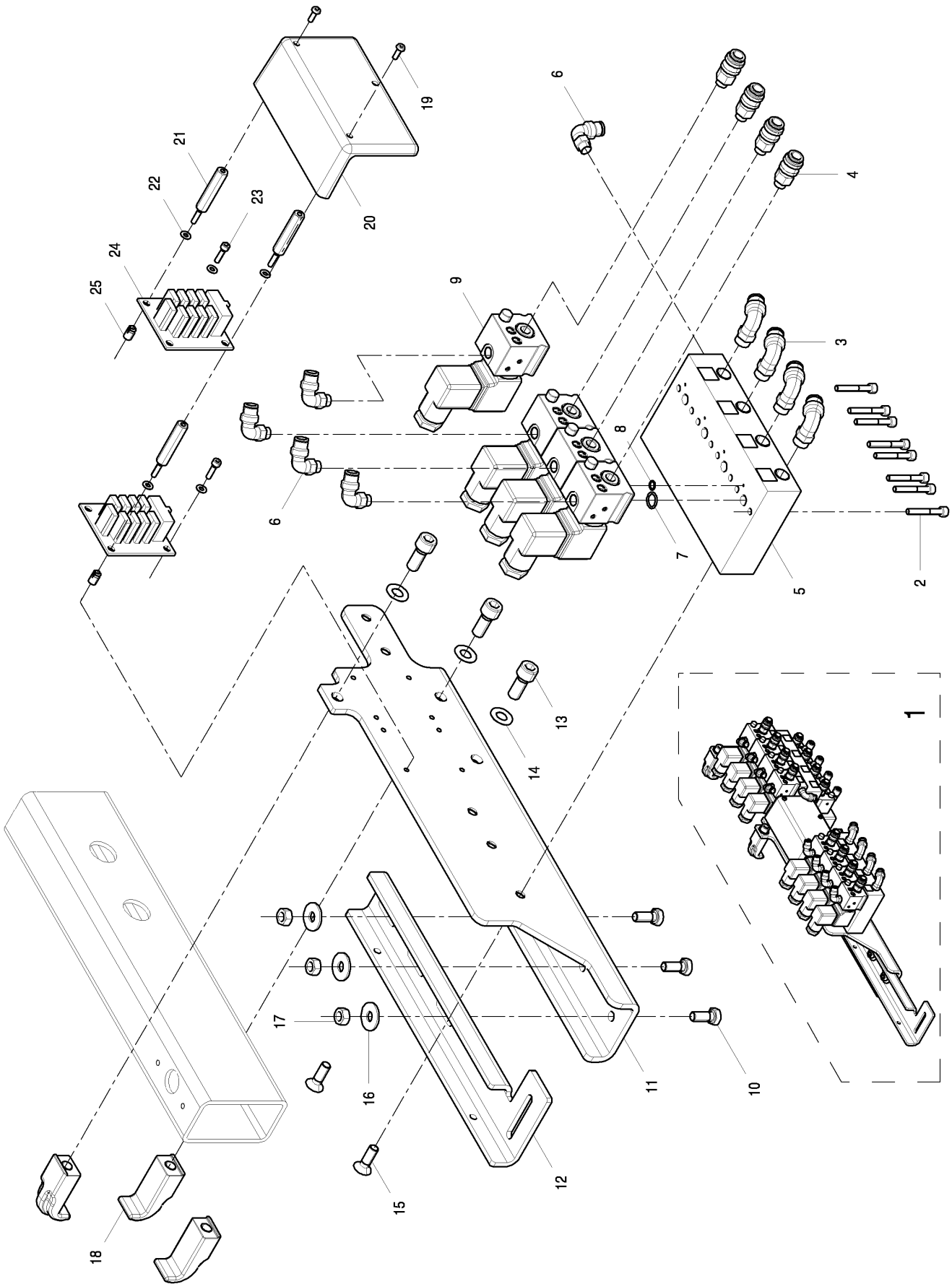
A9500	PNEUMATIC MODULE 4 COLOURS		NA040-00
	Valid lots from to		01/09/2012



A9500	PNEUMATIC MODULE 4 COLOURS		NA040-00
	Valid lots from to		01/09/2012

Pos.	Code	Widths	Remarks	Lots
1	131150009			
2	131150005			
3	131150006			
4	131150007			
5	131150004			
6	151180016			
7	131180025			
8	QEK320A			
9	0043003		vite tspei m8x25 u5933c10.9 zincata	
10	VM11036		molla tazza din.2093 20x10,2x 0,8	
11	110024053			
12	110013028			
13	VM11022		molla a tazza din.2093 15x8.2x0.7	
14	0123005		rond.piana d=9x24x2 iso 7093-2 100hv zincata	
15	VV18509		vite tbei m4x12-10.9 iso7380 zincata	
16	110021106			
17	110021121			
18	CPNR021			
19	QAKW14A			
20	CPNJ001			
21	VG13512		guarnizione gaco tipo or 2043 10,82x1,78 (27917)	
22	VG13506		guarnizione gaco tipo or 2021	
23	CPNR102			
24	EEE5252			
25	CPNR083			

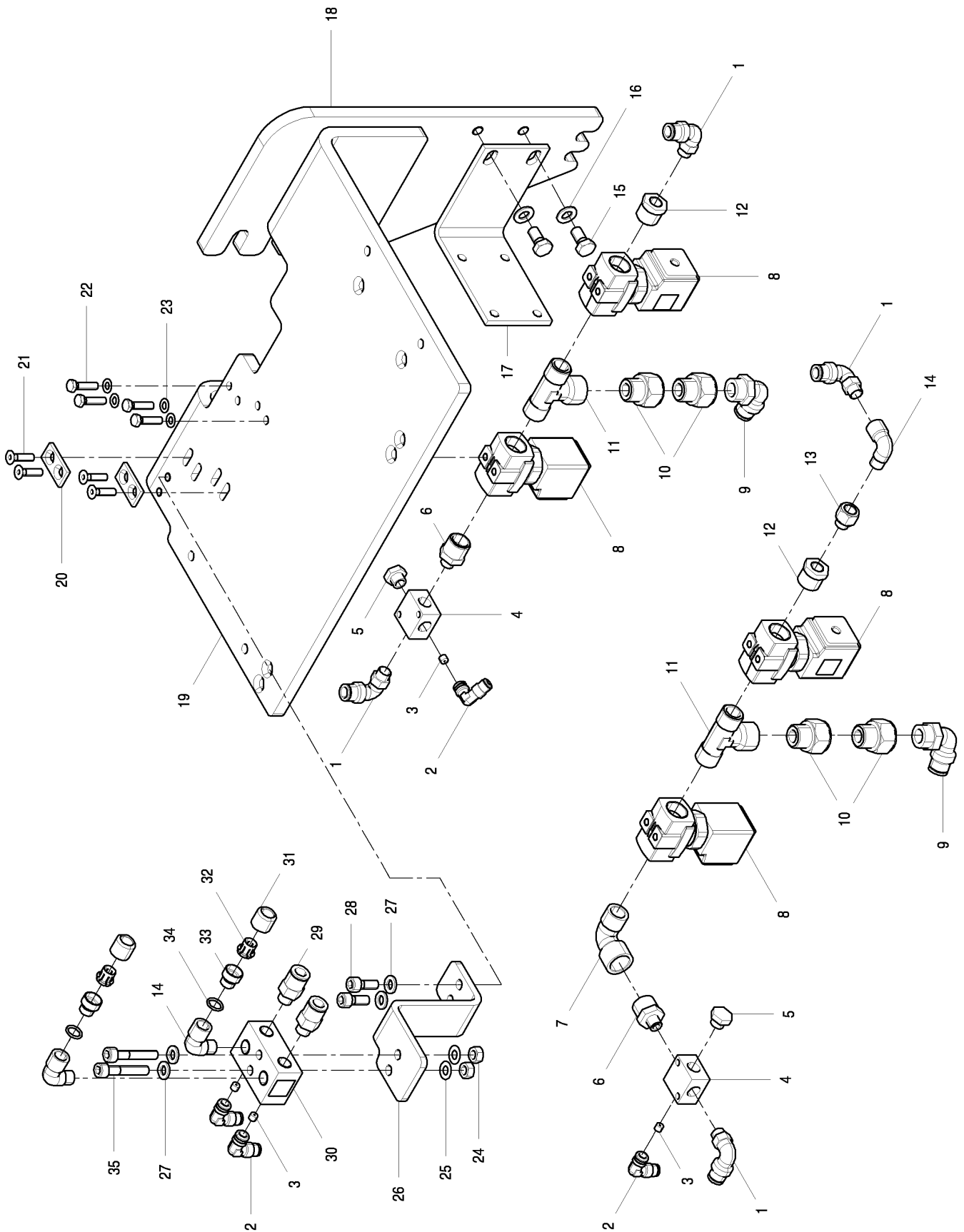
A9500	PNEUMATIC MODULE WITH TANDEM EXTENSION NOZZLE	NA042-00
	Valid lots from to	03/05/2016



A9500	PNEUMATIC MODULE WITH TANDEM EXTENSION NOZZLE		NA042-00
	Valid lots from to		03/05/2016

Pos.	Code	Widths	Remarks	Lots
1	191150258		2 - colour pneumatic unit	
1	191150259		4 - colour pneumatic unit	
2	110021118			
3	CPNR105			
4	CPNJ001			
5	131150169		Valid parts for 2 - colour pneumatic unit	
5	131150166		Valid parts for 4 - colour pneumatic unit	
6	CPNR102			
7	VG13512		guarnizione gaco tipo or 2043 10,82x1,78 (27917)	
8	VG13506		guarnizione gaco tipo or 2021	
9	EEE5252			
10	110013029			
11	131150170			
12	131150169			
13	110024053			
14	VM11036		molla tazza din.2093 20x10,2x 0,8	
15	0043003		vite tspei m8x25 u5933c10.9 zincata	
16	0123005		rond.piana d=9x24x2 iso 7093-2 100hv zincata	
17	110103010			
18	QEK320A			
19	VV18509		vite tbei m4x12-10.9 iso7380 zincata	
20	131150154			
21	131180025			
22	0121001		rond.piana d=4,3 uni6592 zincata	
23	110021106			
24	151181861			
25	110827045			

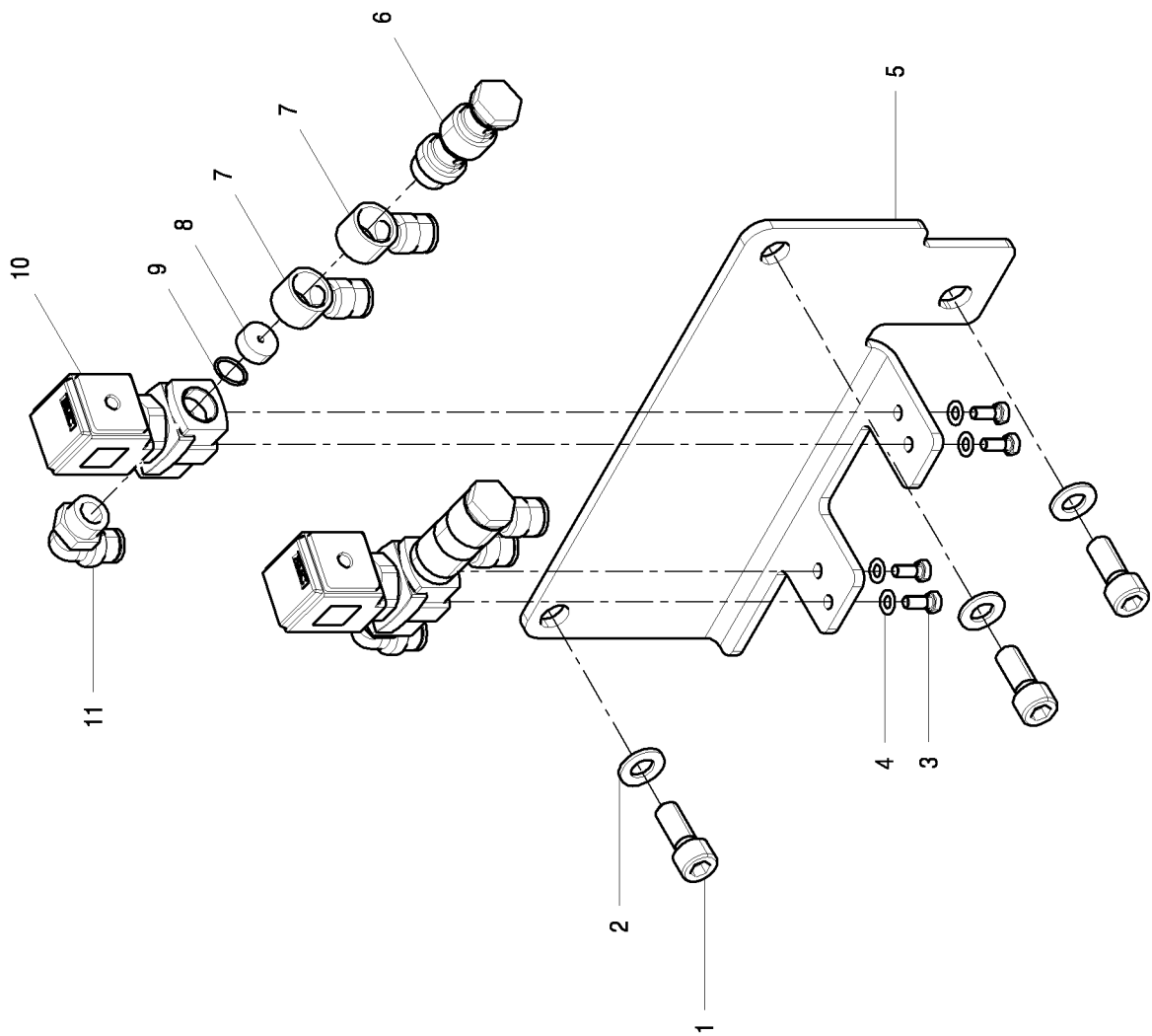
A9500	PNEUMATIC MODULE - A9500e		NA045-00
	Valid lots from to		27/07/2015



A9500	PNEUMATIC MODULE - A9500e		NA045-00
	Valid lots from to		27/07/2015

Pos.	Code	Widths	Remarks	Lots
1	CPNR102			
2	0482335		raccordo s. rapido a gomito camozzi 6500 4-1/8	
3	131150140			
4	CPNB100			
5	CPNT211			
6	0482240		riduzione mod.2510 1/8 -3/8	
7	CPNR023			
8	0488043		elettrovalvola smc art. avj3220-5d-03-x133	
9	CPNR106			
10	0482001		prolunga bassa 2520 da 3/8 maschio a 3/8 femmina	
11	0482320		raccordo a t mod. 2090 3/8 - 3/8	
12	CPNR19W			
13	CPNP209			
14	CPNR021			
15	110013028			
16	0123001		rond.piana d=8,4 uni6592 zincata	
17	131150116			
18	131150104			
19	131150105			
20	131150119			
21	0041006		vite tspei m5x20 u5933c10.9 zincata	
22	110011046			
23	0141002		molla a tazza 10x5,2x0,5 din2093	
24	110102010			
25	VM11016		molla tazza din.2093 12,5x 6,2x 0,5	
26	131150120			
27	0122001		rond.piana d=6,4 uni6592 zincata	
28	110022103			
29	0482193		racc.sup.rap.diritto camozzi s6510 8-1/8	
30	131150112			
31	QEKW35A			
32	QEKW37A			
33	QEKW36A			
34	VG13811		guarnizione gaco tipo orm 0080-20	
35	110022107			

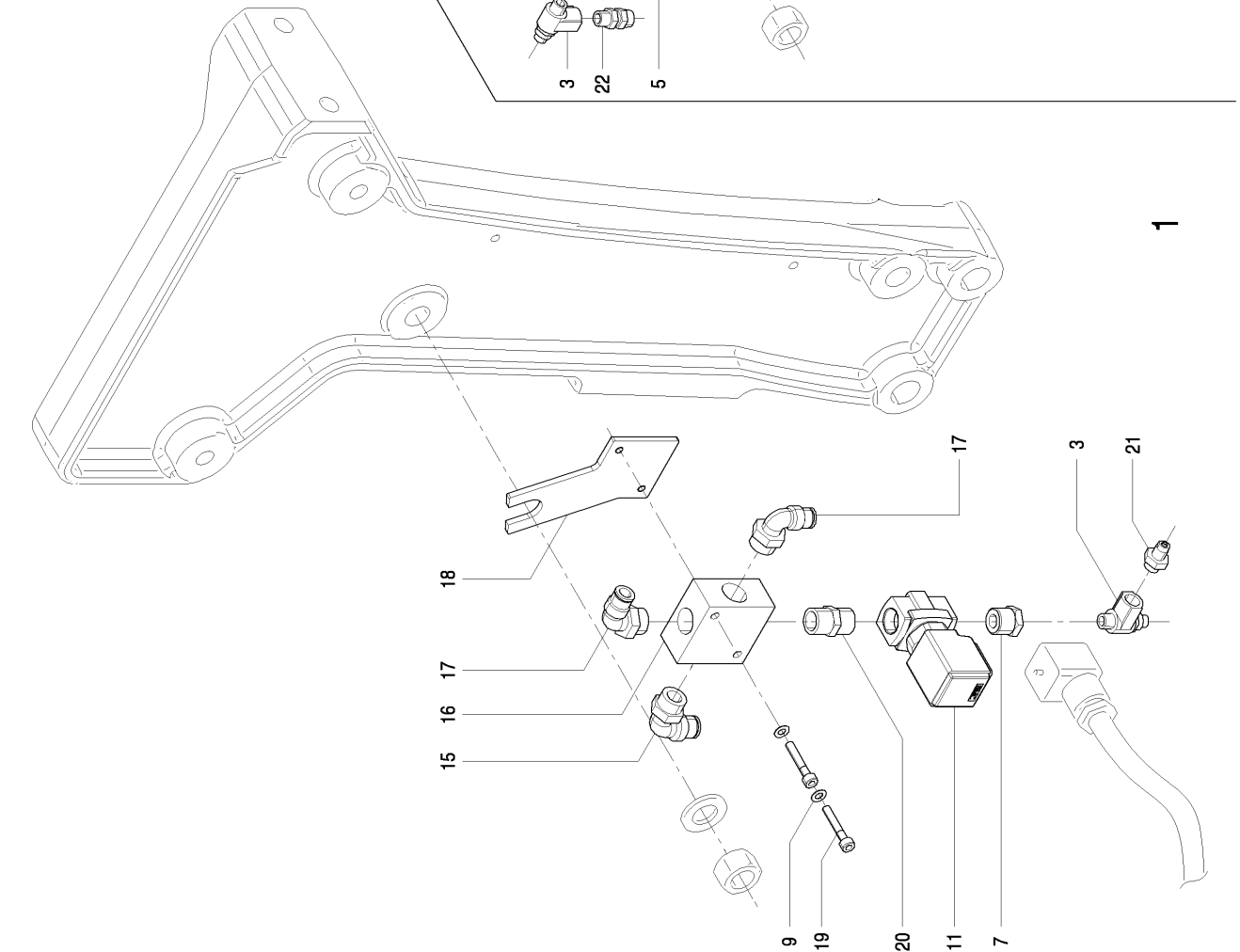
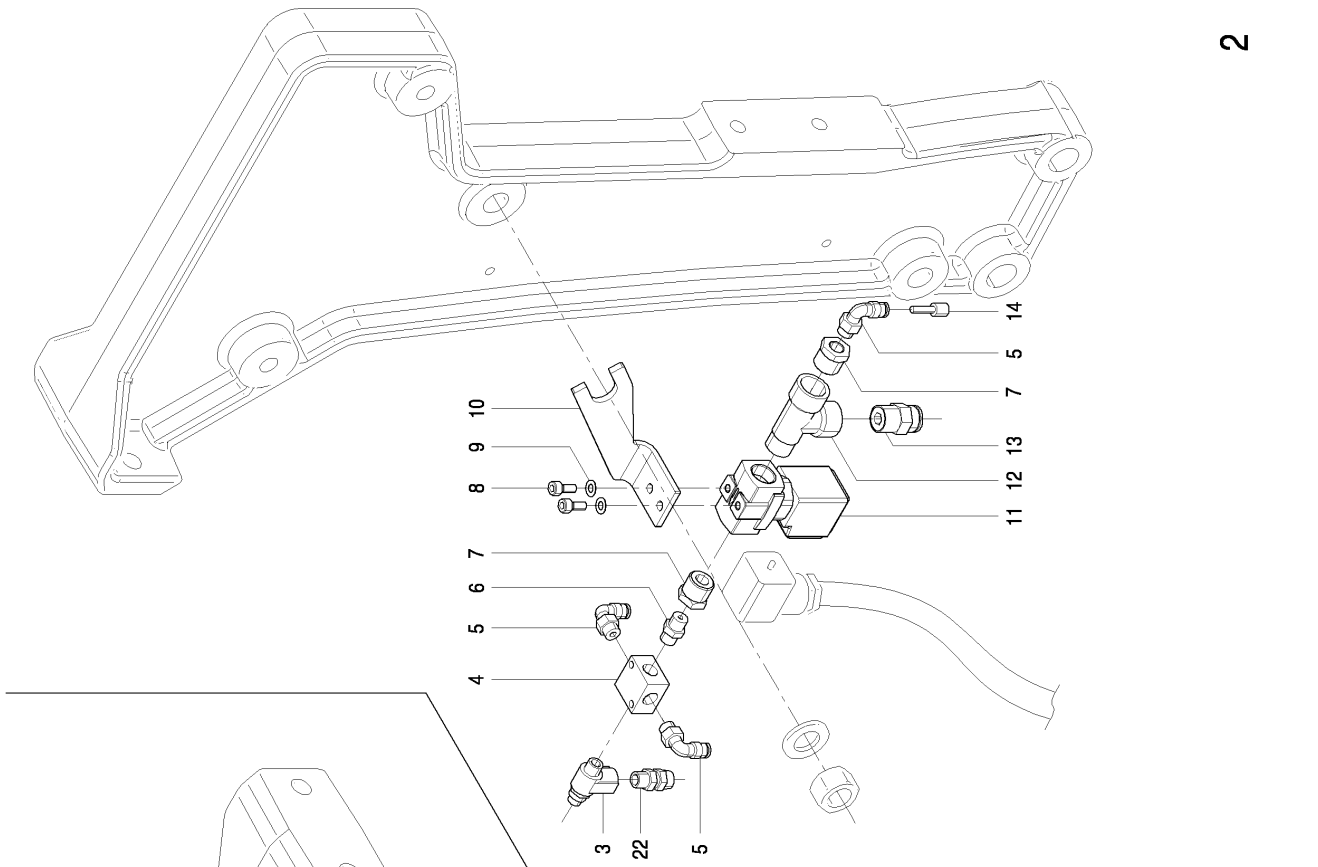
A9500	SOLENOID VALVES COLOURS DRIVE - A9500e	NA050-00
	Valid lots from to	27/07/2015



A9500	SOLENOID VALVES COLOURS DRIVE - A9500e		NA050-00
	Valid lots from to		27/07/2015

Pos.	Code	Widths	Remarks	Lots
1	110024053			
2	0124001		rond.piana d=10,5 uni6592 zincata	
3	110011044			
4	0141002		molla a tazza 10x5,2x0,5 din2093	
5	131150113			
6	0482323		vite cava tipo camozzi 1635 02-3/8	
7	CPNR161			
8	131150055			
9	CPNG115			
10	0488043		elettrovalvola smc art. avj3220-5d-03-x133	
11	CPNR106			

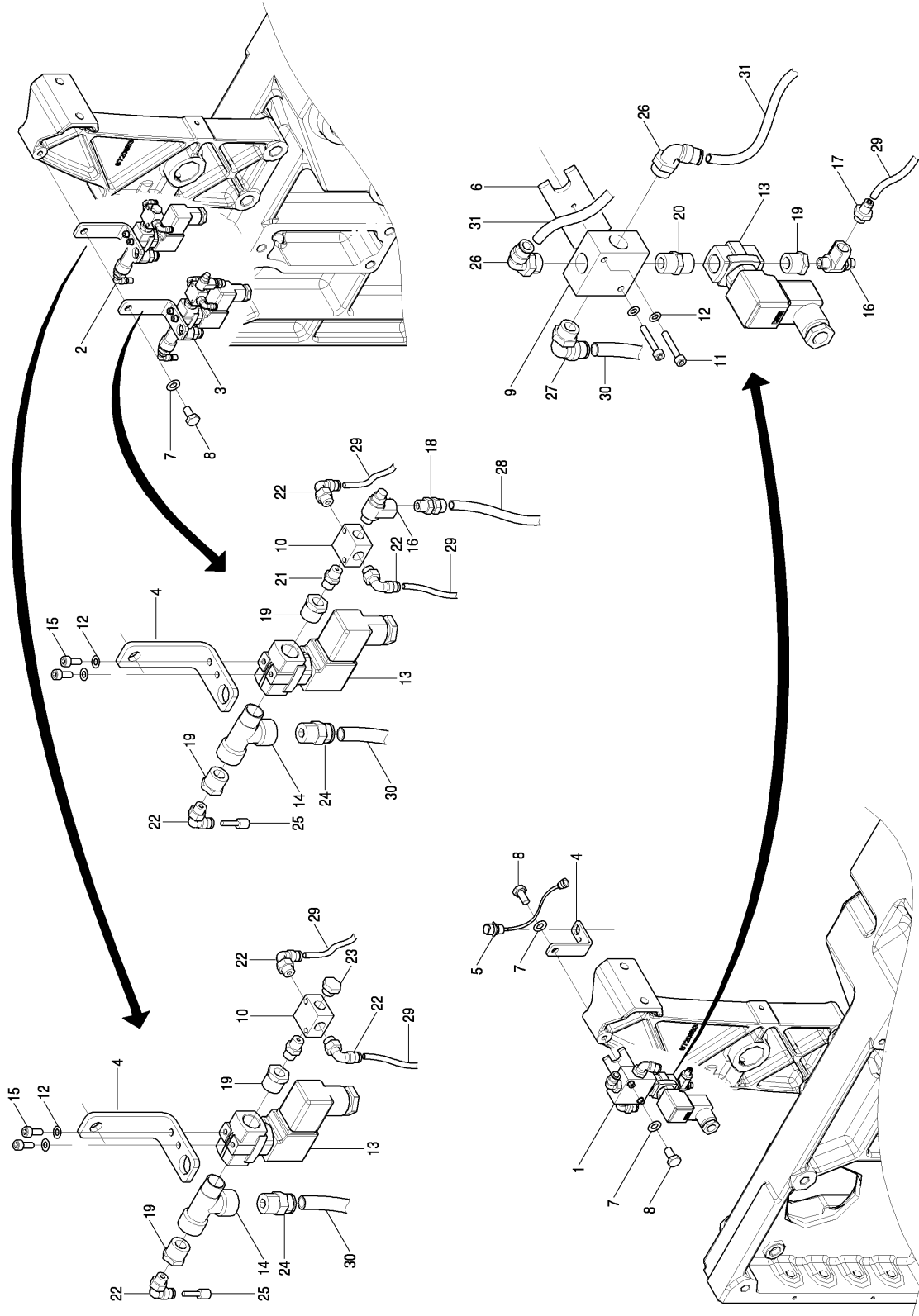
A9500	AUXILIARY SOLENOID VALVES FOR JACQUARD VERSION	NA055-00
	Valid lots from to	08/06/2017



A9500	AUXILIARY SOLENOID VALVES FOR JACQUARD VERSION		NA055-00
	Valid lots from to		08/06/2017

Pos.	Code	Widths	Remarks	Lots
1	191150293		Left side	
2	191150294		Right side	
3	CPNR732			
4	CPNB100			
5	CPNR09X			
6	CPNN160			
7	CPNR19W			
8	110021113			
9	0141002		molla a tazza 10x5,2x0,5 din2093	
10	131150186		Right side	
11	0488043		elettrovalvola smc art. avj3220-5d-03-x133	
12	0482321		raccordo a t 2070 3/8 -3/8	
13	CPNR084			
14	CPNT251			
15	CPNR106			
16	CPNB103			
17	CPNR104			
18	131150183		Left side	
19	0021016		vite tcei m5x30 u5931 cl8.8 zincata	
20	CPNN162			
21	CPNR599			

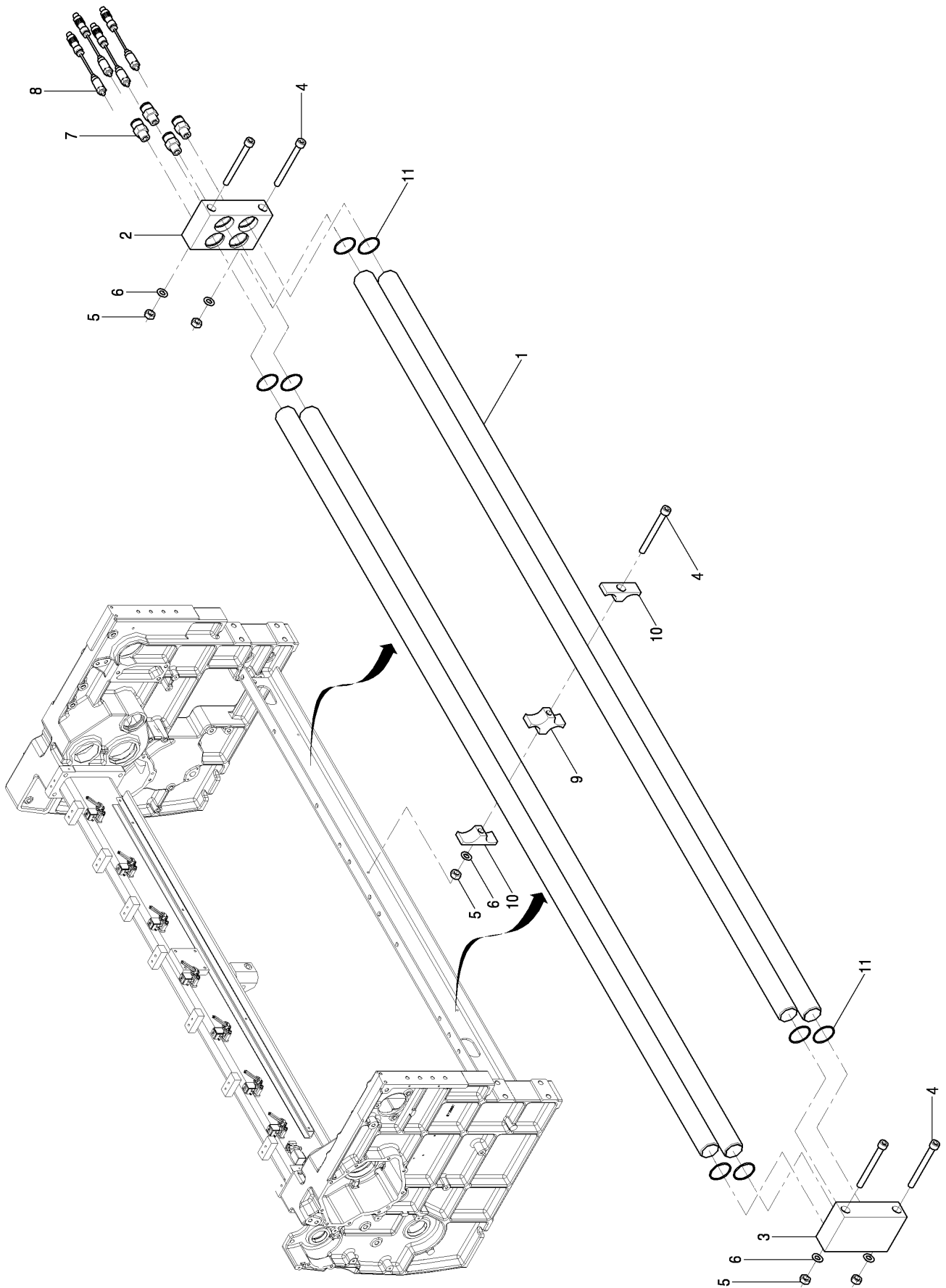
A9500	AUXILIARY SOLENOID VALVES		NA060-00
	Valid lots from to		01/09/2012



A9500	AUXILIARY SOLENOID VALVES		NA060-00
	Valid lots from to		01/09/2012

Pos.	Code	Widths	Remarks	Lots
1	191150050			
2	191150013			
3	191150014			
4	131150053			
5	151180274			
6	QEK227A			
7	VM11036		molla tazza din.2093 20x10,2x 0,8	
8	0014001		vite te m10x20 u5739 cl8.8 zincata	
9	CPNB103			
10	CPNB100			
11	0021016		vite tcei m5x30 u5931 cl8.8 zincata	
12	0141002		molla a tazza 10x5,2x0,5 din2093	
13	0488043		elettrovalvola smc art. avj3220-5d-03-x133	
14	0482321		raccordo a t 2070 3/8 -3/8	
15	110021113			
16	CPNR732			
17	CPNR599			
18	CPNR01F			
19	CPNR19W			
20	CPNN162			
21	CPNN160			
22	CPNR09X			
23	CPNT211			
24	CPNR084			
25	CPNT251			
26	CPNR104			
27	CPNR106			
28	GPE1721		Choose the required length in mt.	
29	GPE1720		Choose the required length in mt.	
30	GPE1723		Choose the required length in mt.	
31	GPE1722		Choose the required length in mt.	

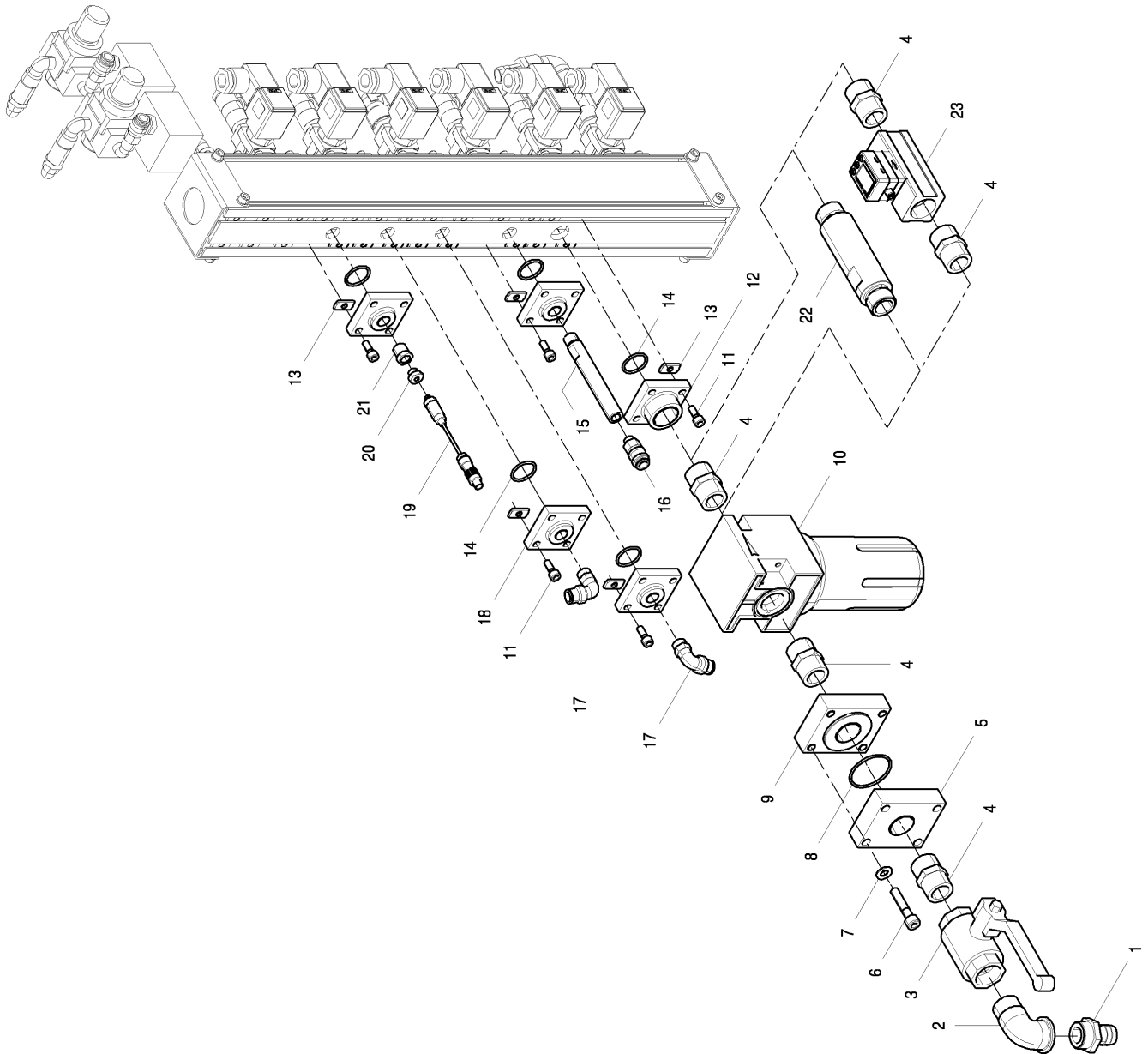
A9500	2 - 4 COLOURS AIR TANK	NA065-00
	Valid lots from to	01/09/2012



A9500	2 - 4 COLOURS AIR TANK		NA065-00
	Valid lots from to		01/09/2012

Pos.	Code	Widths	Remarks	Lots
1	131150013			
2	131150014			
3	131150012			
4	110023085			
5	110103010			
6	VM11025		molla tazza din.2093 16x 8,2x 0,9	
7	CPNR083			
8	151180264			
9	131150010			
10	131150011			
11	0386007		anello tenuta or2118 29,87x1,78	

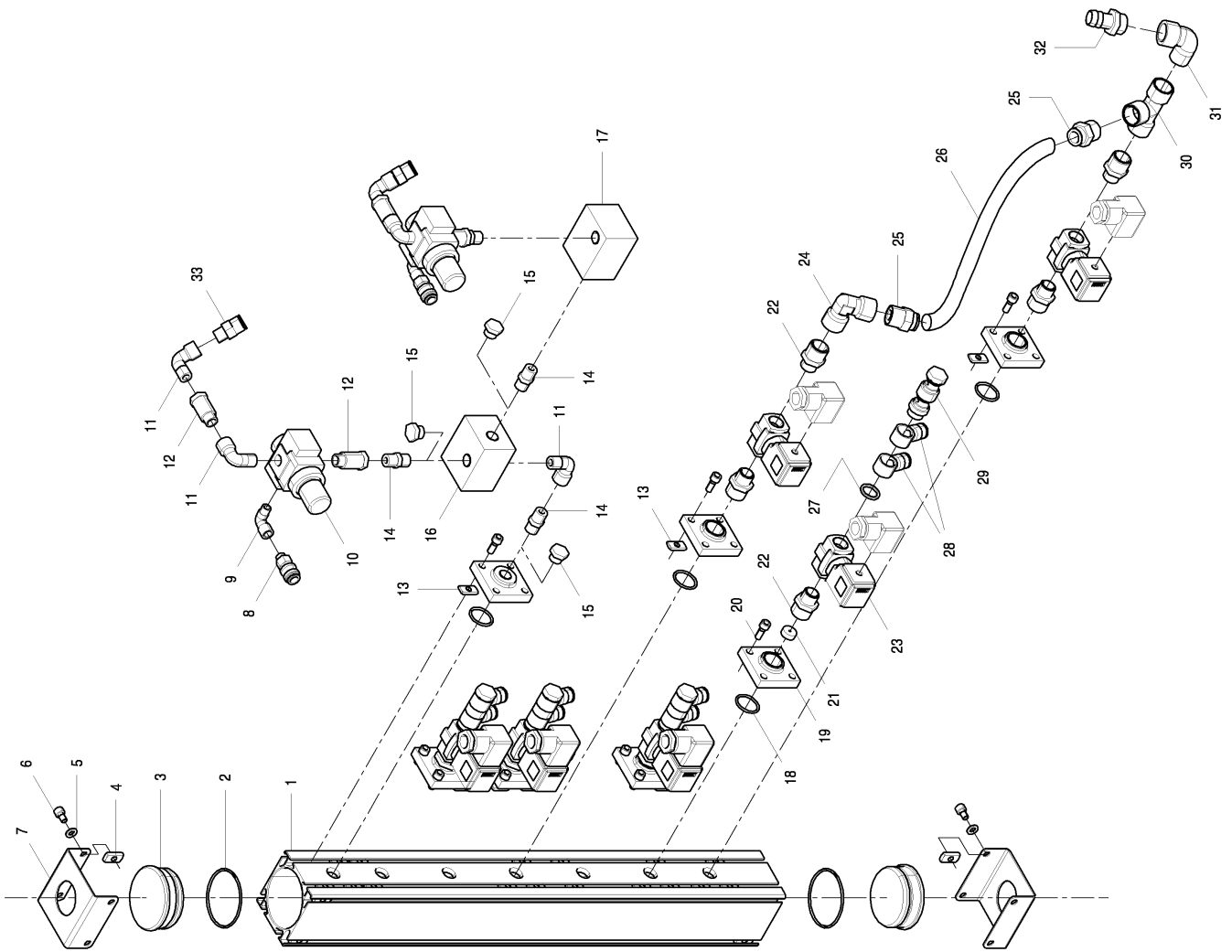
A9500	AIR DISTRIBUTOR MODULE BY SW. PART.1	NA070-00
	Valid lots from YF01 to	27/10/2015



A9500	AIR DISTRIBUTOR MODULE BY SW. PART.1	NA070-00
	Valid lots from YF01 to	27/10/2015

Pos.	Code	Widths	Remarks	Lots
1	CPNP101			
2	CPNR025			
3	CPNR910			
4	CPNN164			
5	131150057			
6	0023070		vite tcei m8x40-8.8 iso4762 brunita	
7	0123001		rond.piana d=8,4 uni6592 zincata	
8	0388016		anello tenuta or3156 39,34x2,62	
9	131150051			
10	110483043			
11	110022103			
12	131150049			
13	QEK214A			
14	0384026		anello tenuta or 130 22,22x2,62	
15	131150050			
16	CPNJ001			
17	CPNR105			
18	131150045			
19	151180264			
19	131150048			
20	0482059		riduzione mf 1/8 -m5 mod.2531	
20	110022103			
21	CPNR19V			
22	131150130		Valid parts only for looms with IPM motor.	
23	110495017			

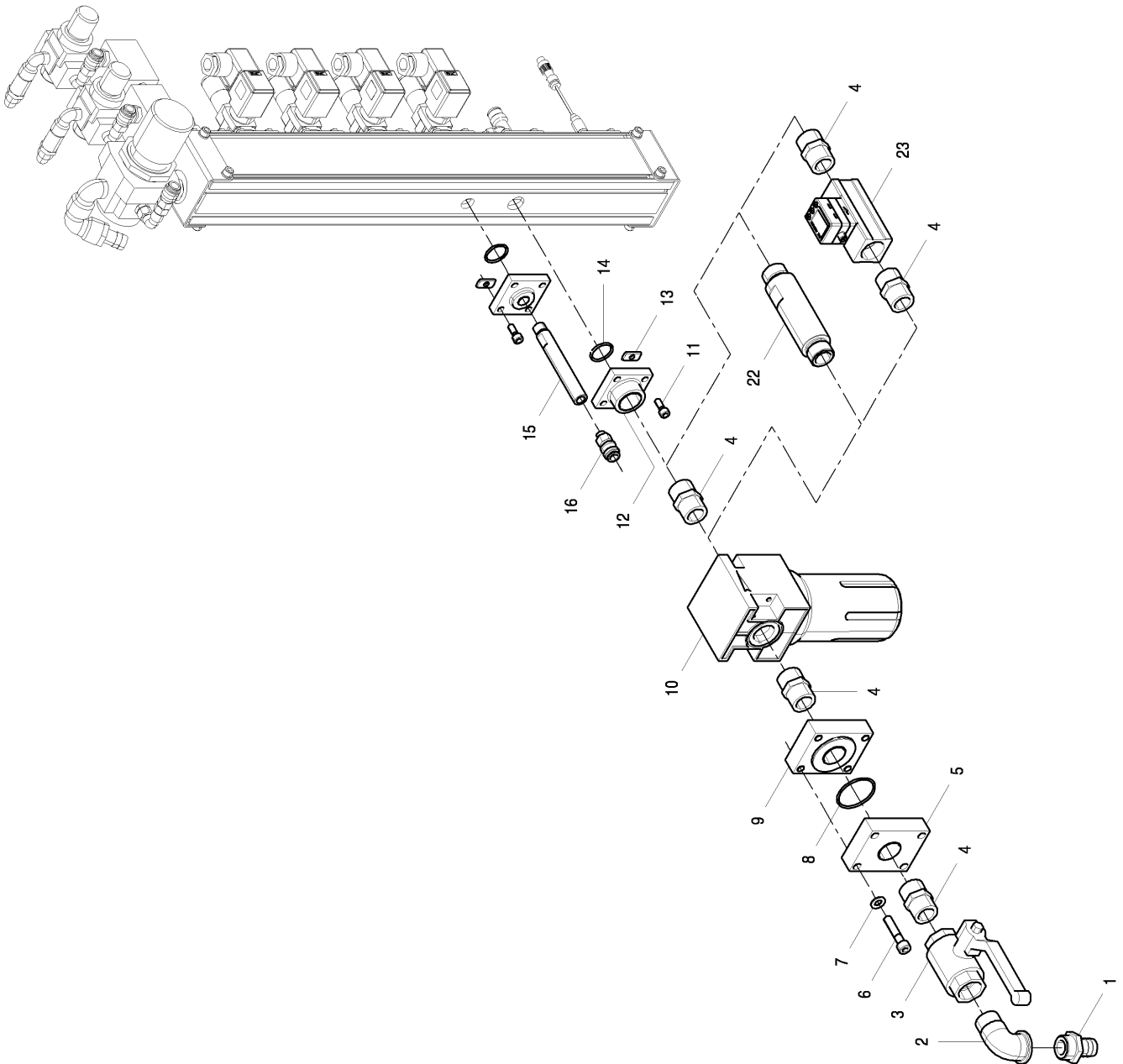
A9500	AIR DISTRIBUTOR MODULE BY SW. PART.2	NA075-00
	Valid lots from YF01 to	27/10/2015



A9500	AIR DISTRIBUTOR MODULE BY SW. PART.2			NA075-00
	Valid lots from YF01 to			27/10/2015

Pos.	Code	Widths	Remarks	Lots
1	131150093			
2	0389001		anello tenuta or3225 56,82x2,62	
3	131150042			
4	EH1423A			
5	0122001		rond.piana d=6,4 uni6592 zincata	
6	110022101			
7	131150044			
8	CPNJ001			
9	CPNR021			
10	0494017		regolatore press. smc ar20-f02h- 1/4	
11	0482220		racc.rap.mod.2020 1/4 camozzi	
12	CPNP212			
13	QEK214A			
14	CPNN161			
15	CPNT212			
16	131150046			
16	131150128		Valid parts only for looms with IPM motor.	
17	131150047			
17	131150129		Valid parts only for looms with IPM motor.	
18	0384026		anello tenuta or 130 22,22x2,62	
21	131150055			
22	CPNN187			
23	0488043		elettrovalvola smc art. avj3220-5d-03-x133	
24	0482150		raccordo a gomito 1/2 mod.2013	
25	0482170		rac.sup.rap.diritto camozzi s6510 12-1/2	
26	110485022		Choose the required length in mt.	
27	CPNG115			
28	CPNR161			
29	0482323		vite cava tipo camozzi 1635 02-3/8	
30	110482356			
31	CPNR024			
32	CPNP11B			
33	CPNR083			

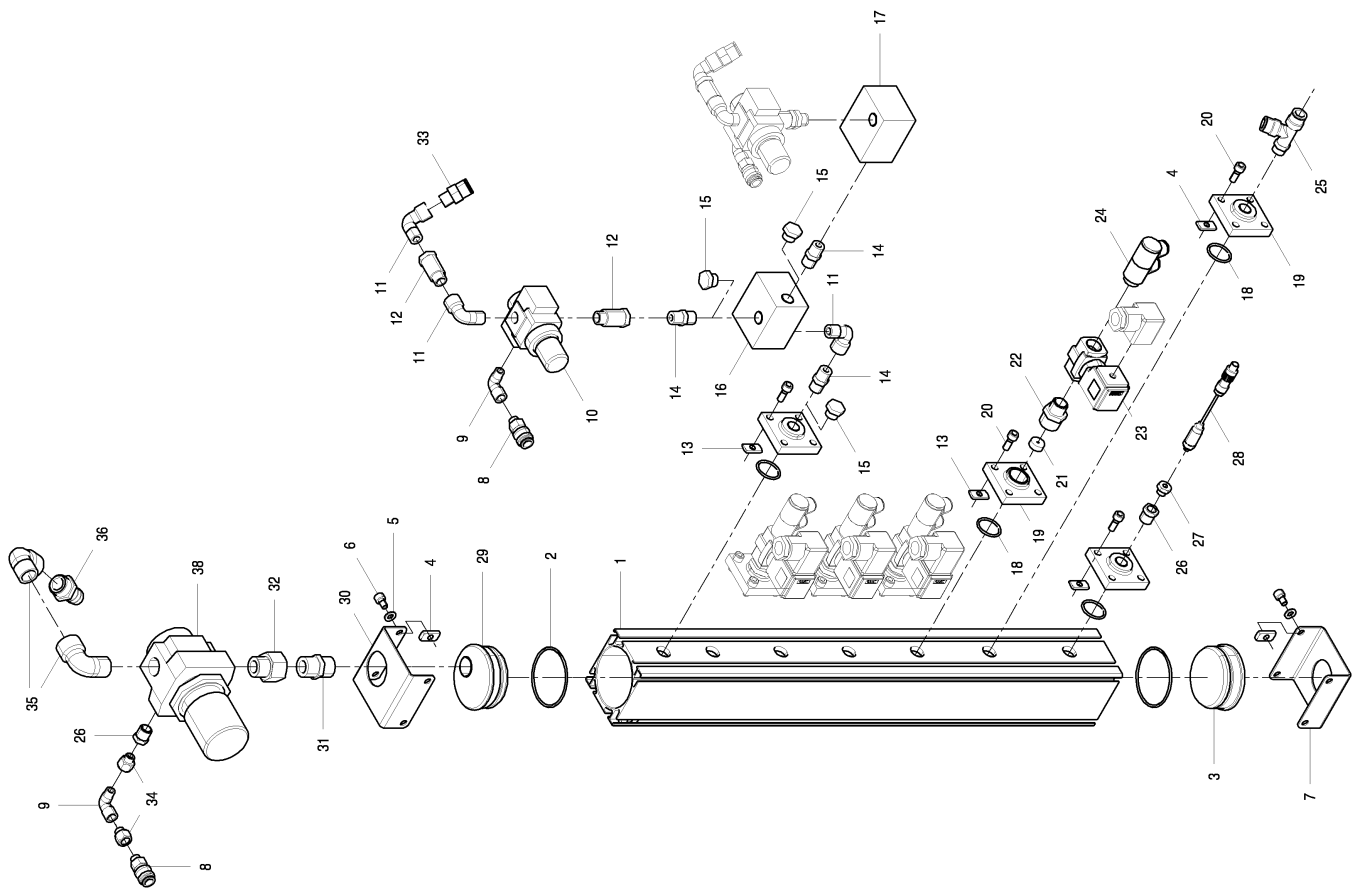
A9500	AIR DISTRIBUTOR MODULE BY HAND. PART.1	NA080-00
	Valid lots from YF01 to	19/11/2015



A9500	AIR DISTRIBUTOR MODULE BY HAND. PART.1			NA080-00
	Valid lots from YF01 to			19/11/2015

Pos.	Code	Widths	Remarks	Lots
1	CPNP101			
2	CPNR025			
3	CPNR910			
4	CPNN164			
5	131150057			
6	0023070		vite tcei m8x40-8.8 iso4762 brunita	
7	0123001		rond.piana d=8,4 uni6592 zincata	
8	0388016		anello tenuta or3156 39,34x2,62	
9	131150051			
10	110483043			
11	110022103			
12	131150049			
13	QEK214A			
14	0384026		anello tenuta or 130 22,22x2,62	
15	131150050			
16	CPNJ001			
22	131150130		Valid parts only for looms with IPM motor.	
23	110495017			

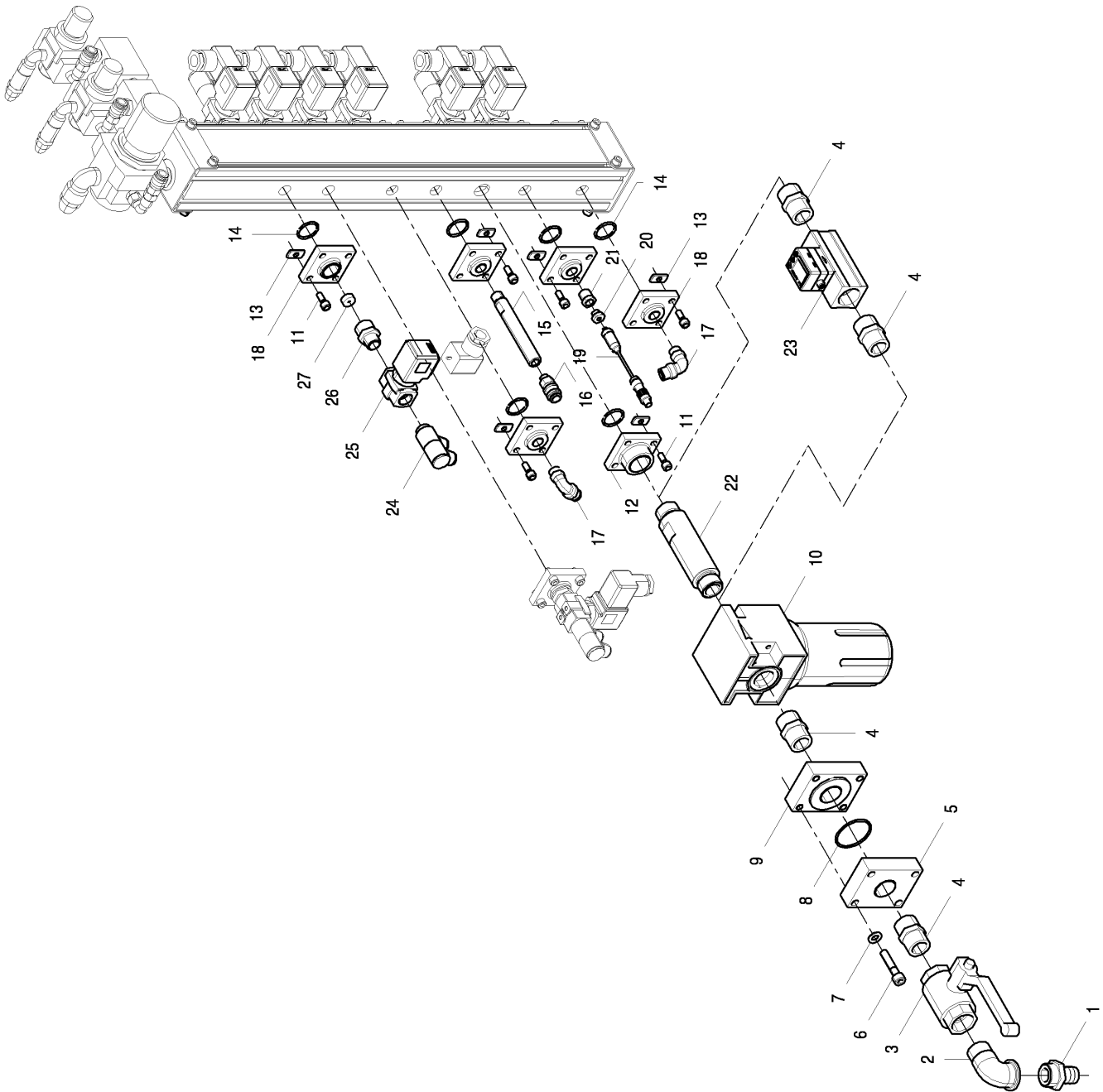
A9500	AIR DISTRIBUTOR MODULE BY HAND. PART.2	NA085-00
	Valid lots from YF01 to	19/11/2015



A9500	AIR DISTRIBUTOR MODULE BY HAND. PART.2		NA085-00
	Valid lots from YF01 to		19/11/2015

Pos.	Code	Widths	Remarks	Lots
1	131150041			
2	0389001		anello tenuta or3225 56,82x2,62	
3	131150042			
4	EH1423A			
5	0122001		rond.piana d=6,4 uni6592 zincata	
6	110022101			
7	131150044			
8	CPNJ001			
9	CPNR021			
10	0494017		regolatore press. smc ar20-f02h- 1/4	
11	0482220		racc.rap.mod.2020 1/4 camozzi	
12	CPNP212			
13	QEK214A			
14	CPNN161			
15	CPNT212			
16	131150046			
16	131150128		Valid parts only for looms with IPM motor.	
17	131150047			
17	131150129		Valid parts only for looms with IPM motor.	
18	0384026		anello tenuta or 130 22,22x2,62	
19	131150048			
20	110022103			
21	131150055			
22	CPNN187			
23	0488043		elettrovalvola smc art. avj3220-5d-03-x133	
24	110482361			
25	CPNR145			
26	CPNR19V			
27	0482059		riduzione mf 1/8 -m5 mod.2531	
28	151180264			
29	131150127			
30	131150132			
31	CPNN163			
32	CPNP203			
33	CPNR083			
34	CPNP209			
35	CPNR024			
36	CPNP11B			
38	CPNR35C			

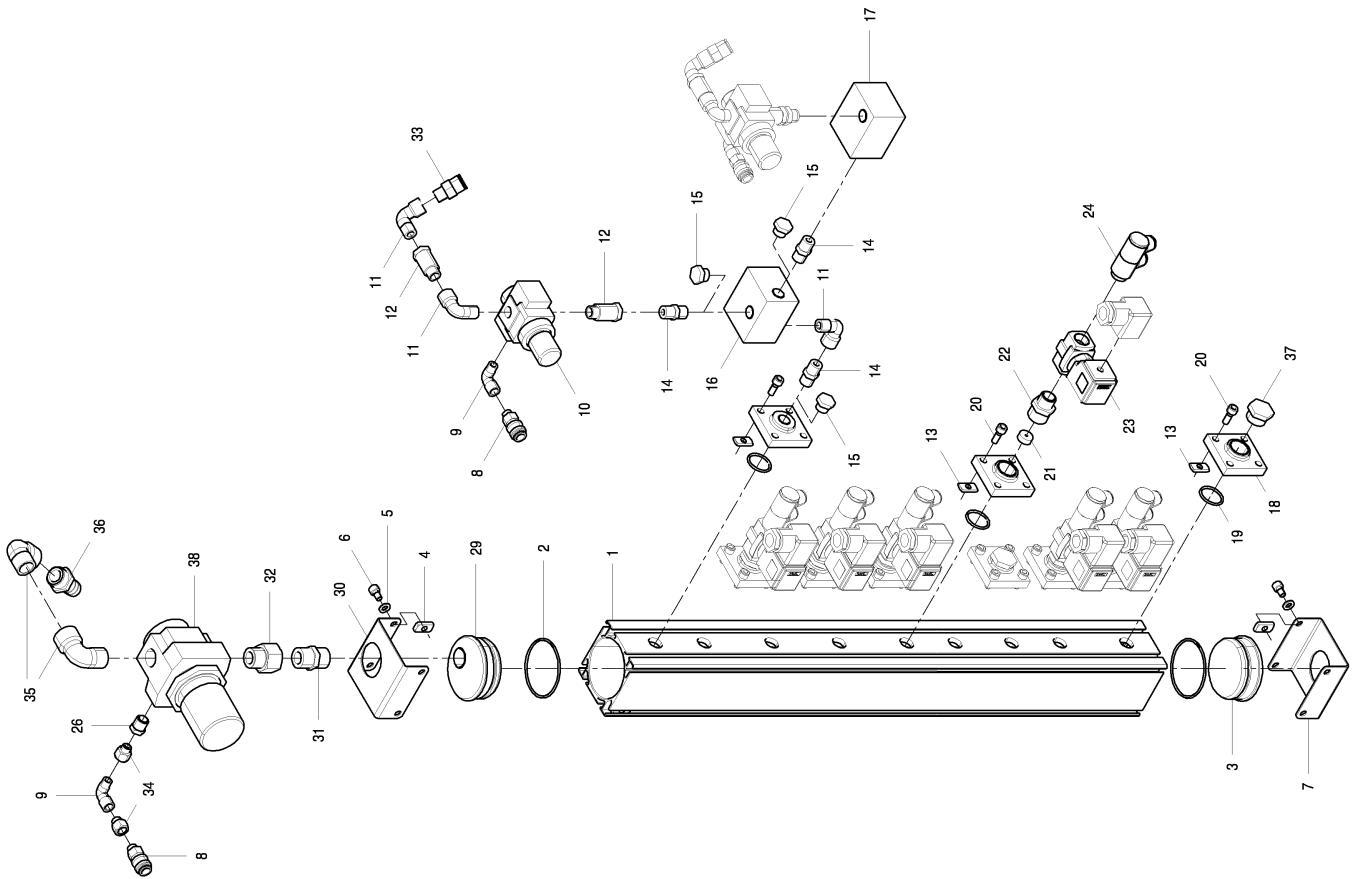
A9500	AIR DISTRIBUTOR MODULE BY HAND WITH TANDEM EXTENSION NOZZLES. PART.1	NA090-00
	Valid lots from YF01 to	20/11/2015



A9500	AIR DISTRIBUTOR MODULE BY HAND WITH TANDEM EXTENSION NOZZLES. PART.1	NA090-00
	Valid lots from YF01 to	20/11/2015

Pos.	Code	Widths	Remarks	Lots
1	CPNP101			
2	CPNR025			
3	CPNR910			
4	CPNN164			
5	131150057			
6	0023070		vite tcei m8x40-8.8 iso4762 brunita	
7	0123001		rond.piana d=8,4 uni6592 zincata	
8	0388016		anello tenuta or3156 39,34x2,62	
9	131150051			
10	110483043			
11	110022103			
12	131150049			
13	QEK214A			
14	0384026		anello tenuta or 130 22,22x2,62	
15	131150050			
16	CPNJ001			
22	131150130			
23	110495017			
24	110482361			
25	0488043		elettrovalvola smc art. avj3220-5d-03-x133	
26	CPNN187			
27	131150055			

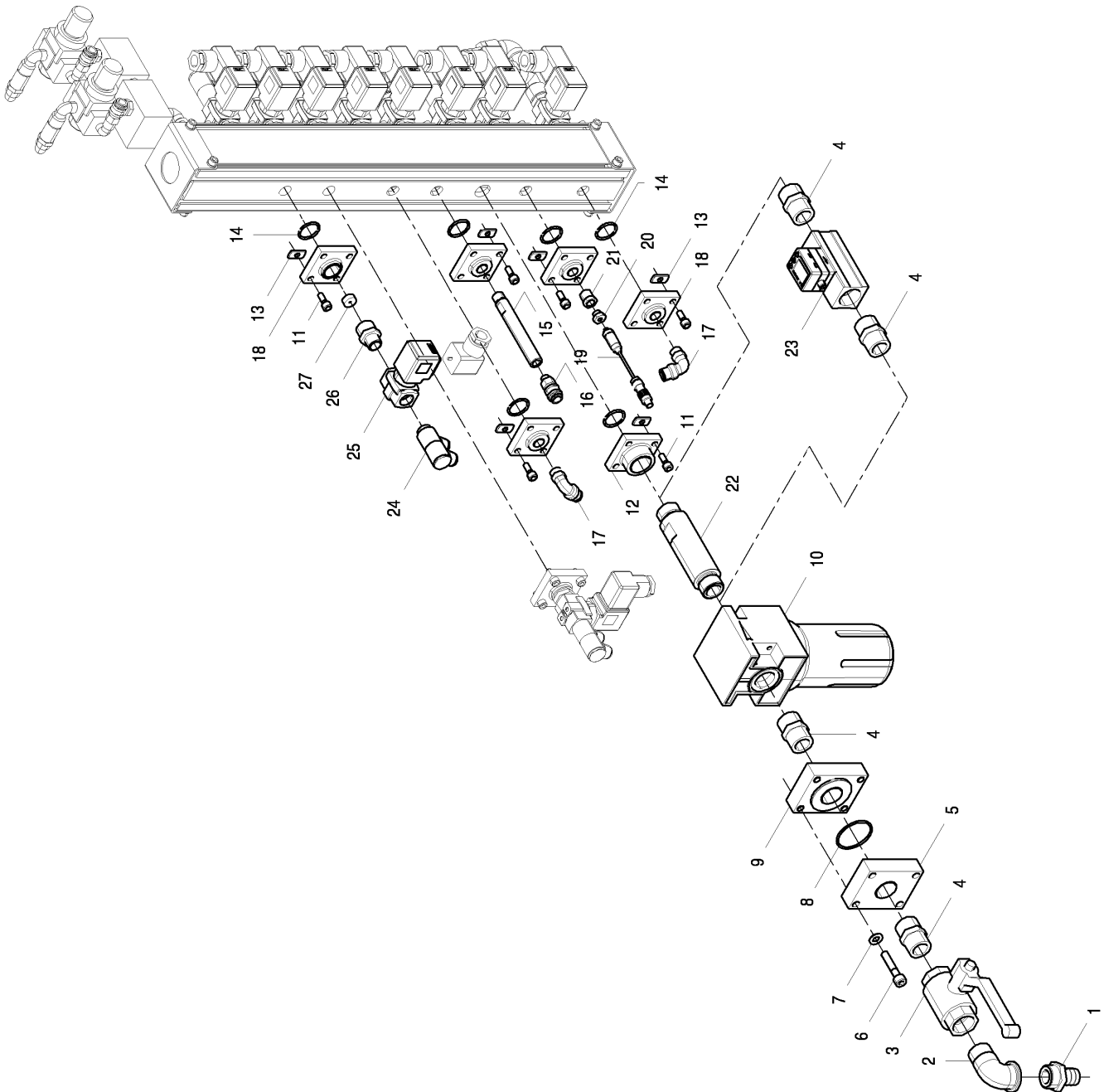
A9500	AIR DISTRIBUTOR MODULE BY HAND WITH TANDEM EXTENSION NOZZLES. PART.2	NA095-00
	Valid lots from YF01 to	20/11/2015



A9500	AIR DISTRIBUTOR MODULE BY HAND WITH TANDEM EXTENSION NOZZLES. PART.2	NA095-00
	Valid lots from YF01 to	20/11/2015

Pos.	Code	Widths	Remarks	Lots
1	131150168		Valid parts for 2 - colour pneumatic unit	
1	131150150		Valid parts for 4 - colour pneumatic unit	
2	0389001		anello tenuta or3225 56,82x2,62	
3	131150042			
4	EH1423A			
5	0122001		rond.piana d=6,4 uni6592 zincata	
6	110022101			
7	131150044			
8	CPNJ001			
9	CPNR021			
10	0494017		regolatore press. smc ar20-f02h- 1/4	
11	0482220		racc.rap.mod.2020 1/4 camozzi	
12	CPNP212			
13	QEK214A			
14	CPNN161			
15	CPNT212			
16	131150046			
16	131150128		Valid parts only for looms with IPM motor.	
17	131150047			
17	131150129		Valid parts only for looms with IPM motor.	
18	0384026		anello tenuta or 130 22,22x2,62	
19	131150048			
20	110022103			
21	131150055			
22	CPNN187			
23	0488043		elettrovalvola smc art. avj3220-5d-03-x133	
24	110482361			
25	CPNR145			
26	CPNR19V			
27	0482059		riduzione mf 1/8 -m5 mod.2531	
28	151180264			
29	131150127			
30	131150132			
31	CPNN163			
32	CPNP203			
33	CPNR083			
34	CPNP209			
35	CPNR024			
36	CPNP11B			
37	CPNT214			
38	CPNR35C			

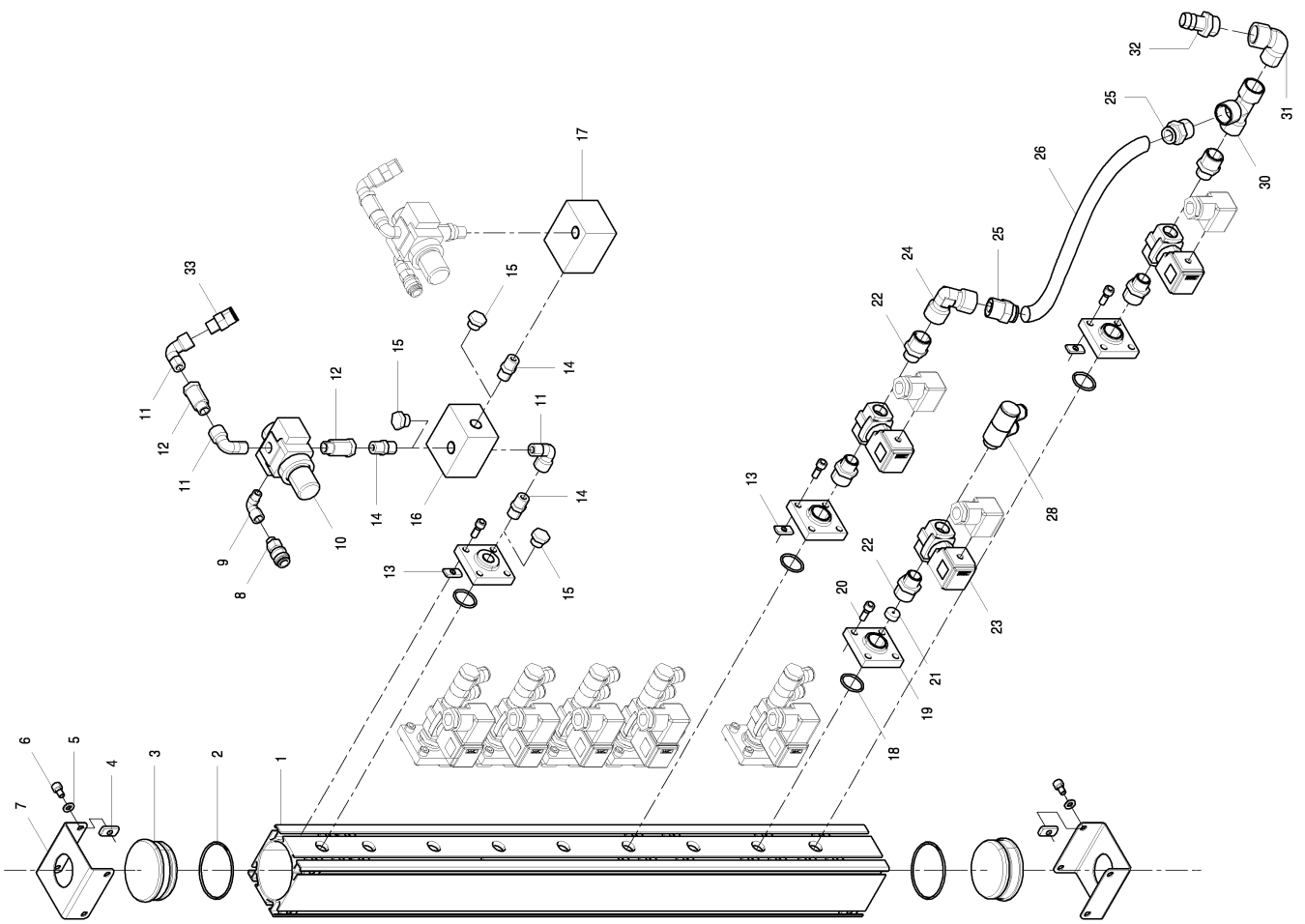
A9500	AIR DISTRIBUTOR MODULE BY SW. WITH TANDEM EXTENSION NOZZLES. PART.1	NA100-00
	Valid lots from YF01 to	25/11/2015



A9500	AIR DISTRIBUTOR MODULE BY SW. WITH TANDEM EXTENSION NOZZLES. PART.1	NA100-00
	Valid lots from YF01 to	25/11/2015

Pos.	Code	Widths	Remarks	Lots
1	CPNP101			
2	CPNR025			
3	CPNR910			
4	CPNN164			
5	131150057			
6	0023070		vite tcei m8x40-8.8 iso4762 brunita	
7	0123001		rond.piana d=8,4 uni6592 zincata	
8	0388016		anello tenuta or3156 39,34x2,62	
9	131150051			
10	110483043			
11	110022103			
12	131150049			
13	QEK214A			
14	0384026		anello tenuta or 130 22,22x2,62	
15	131150050			
16	CPNJ001			
22	131150130			
23	110495017			
24	110482361			
25	0488043		elettrovalvola smc art. avj3220-5d-03-x133	
26	CPNN187			
27	131150055			

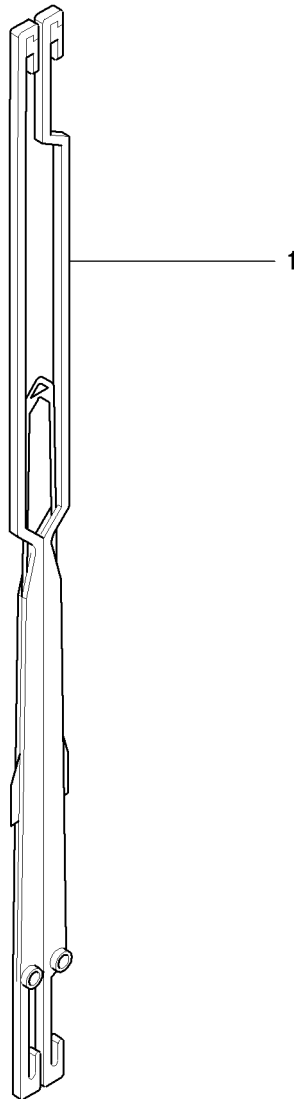
A9500	AIR DISTRIBUTOR MODULE BY SW. WITH TANDEM EXTENSION NOZZLES. PART.2	NA105-00
	Valid lots from YF01 to	25/11/2015



A9500	AIR DISTRIBUTOR MODULE BY SW. WITH TANDEM EXTENSION NOZZLES. PART.2	NA105-00
	Valid lots from YF01 to	25/11/2015

Pos.	Code	Widths	Remarks	Lots
1	131150168		Valid parts for 2 - colour pneumatic unit	
1	131150150		Valid parts for 4 - colour pneumatic unit	
2	0389001		anello tenuta or3225 56,82x2,62	
3	131150042			
4	EH1423A			
5	0122001		rond.piana d=6,4 uni6592 zincata	
6	110022101			
7	131150044			
8	CPNJ001			
9	CPNR021			
10	0494017		regolatore press. smc ar20-f02h- 1/4	
11	0482220		racc.rap.mod.2020 1/4 camozzi	
12	CPNP212			
13	QEK214A			
14	CPNN161			
15	CPNT212			
16	131150046			
16	131150128		Valid parts only for looms with IPM motor.	
17	131150047			
17	131150129		Valid parts only for looms with IPM motor.	
18	0384026		anello tenuta or 130 22,22x2,62	
21	131150055			
22	CPNN187			
23	0488043		elettrovalvola smc art. avj3220-5d-03-x133	
24	0482150		raccordo a gomito 1/2 mod.2013	
25	0482170		rac.sup.rap.diritto camozzi s6510 12-1/2	
26	110485022		Choose the required length in mt.	
28	110482361			
30	110482356			
31	CPNR024			
32	CPNP11B			
33	CPNR083			

A9500	CENTRAL LENO DEVICE	ZA001-00
	Valid lots from to	01/09/2012

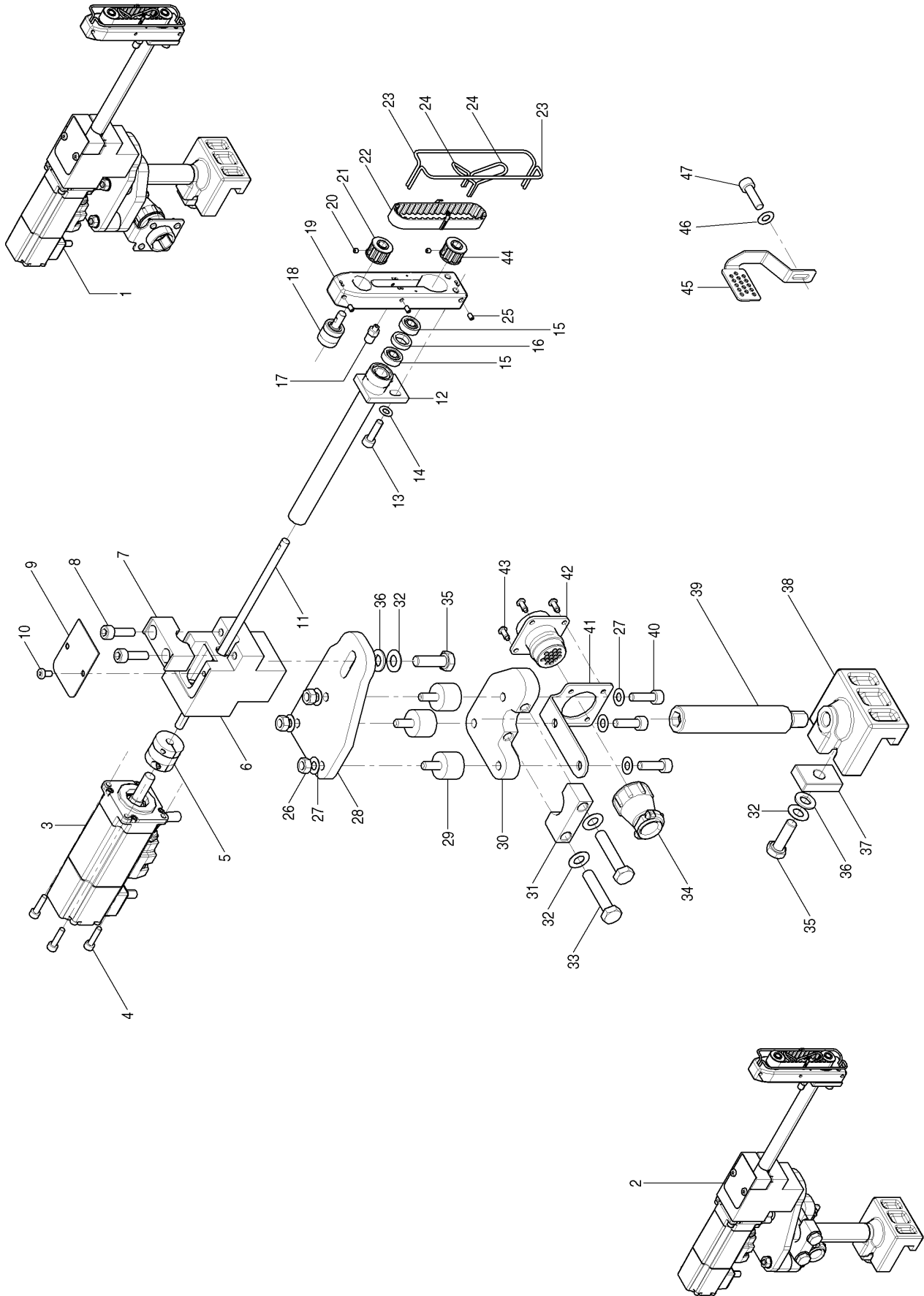


A9500	CENTRAL LENO DEVICE			ZA001-00
	Valid lots from to			01/09/2012

Pos.	Code	Widths	Remarks	Lots
------	------	--------	---------	------

1	0507279		maglia kloecker k-mag330 simmetrica x giro ing. * Valid parts just for looms with tappet motion and doobby	
---	---------	--	--	--

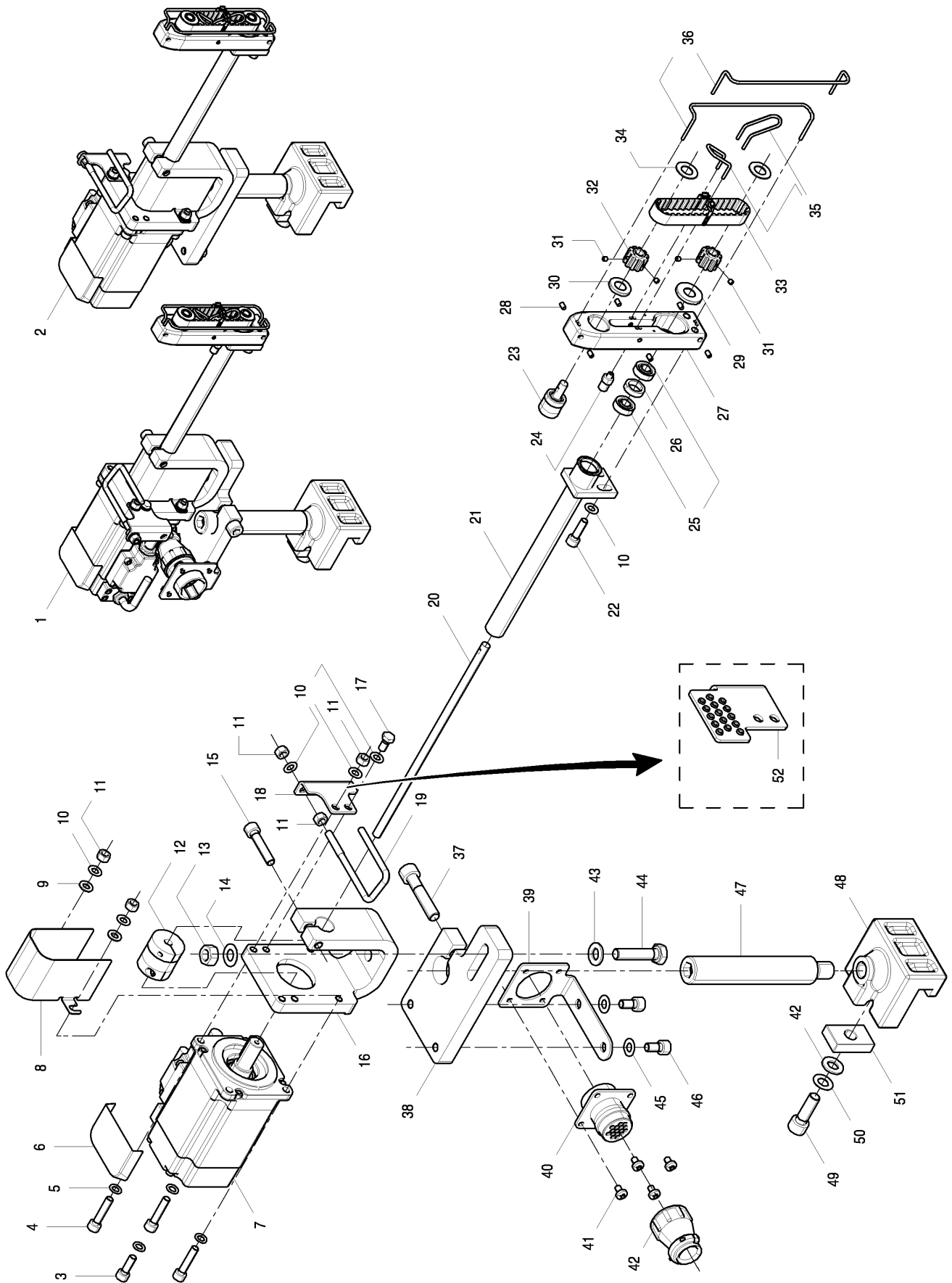
A9500	- ELD - ELECTROMECHANICAL LENO DEVICE - ELD -	ZA003-00
	Valid lots from YA01 to YD10	20/02/2015



A9500	- ELD - ELECTROMECHANICAL LENO DEVICE - ELD -	ZA003-00
	Valid lots from YA01 to YD10	20/02/2015

Pos.	Code	Widths	Remarks	Lots
1	191170004			
2	191170002			
3	151180201			
4	110021106			
5	110452032			
6	131170002			
7	131170003			
8	0022018		vite tcei m6x20-8.8 iso4762 brunita	
9	131170004			
10	VV18506		vite tbei m4x8-8.8 iso7380 zincata	
11	QEKY55A			
12	QEKY12A			
13	0021096		vite tcei m5x18 u5931 cl12.9 brunit	
14	0141002		molla a tazza 10x5,2x0,5 din2093	
15	ECS097R		cusc.rad.rigido a sfere (g.pr.) 619/6zz	
16	QEKY15A			
17	CPNR656			
18	ECS6125		perno folle per splitz	
19	QEKY69A			YA01÷YC09
19	131170056			YC10
20	VV19000		grano m3x3 uni5923 cl.45h zincata	
21	QAKY10A			YA01÷YC09
21	191170034			YC10
22	191170035			
23	QEKY14B			
24	QEKY48A			
25	VV19001		grano m3x5 uni5923 cl.45h zincata	
26	110102010			
27	VM11016		molla tazza din.2093 12,5x 6,2x 0,5	
28	QEKY43A			
29	C9P9694			
30	QEKY42A			
31	QEKY49A			
32	VM11024		molla a tazza d.16x8.2x0.6 din 2093	
33	110003024			
34	EEC6780			
35	110013030			
36	0123001		rond.piana d=8,4 uni6592 zincata	
37	QEKY35A			
38	QEKY33A			
39	131170008			
40	0022018		vite tcei m6x20-8.8 iso4762 brunita	
41	131170005			
42	EEC856K			
43	VR13783		rivetto richco art. sr 3570	
44	QAKY10A			YA01÷YC09
44	191170033			YC10
45	131170006			
46	0122001		rond.piana d=6,4 uni6592 zincata	
47	110022102			

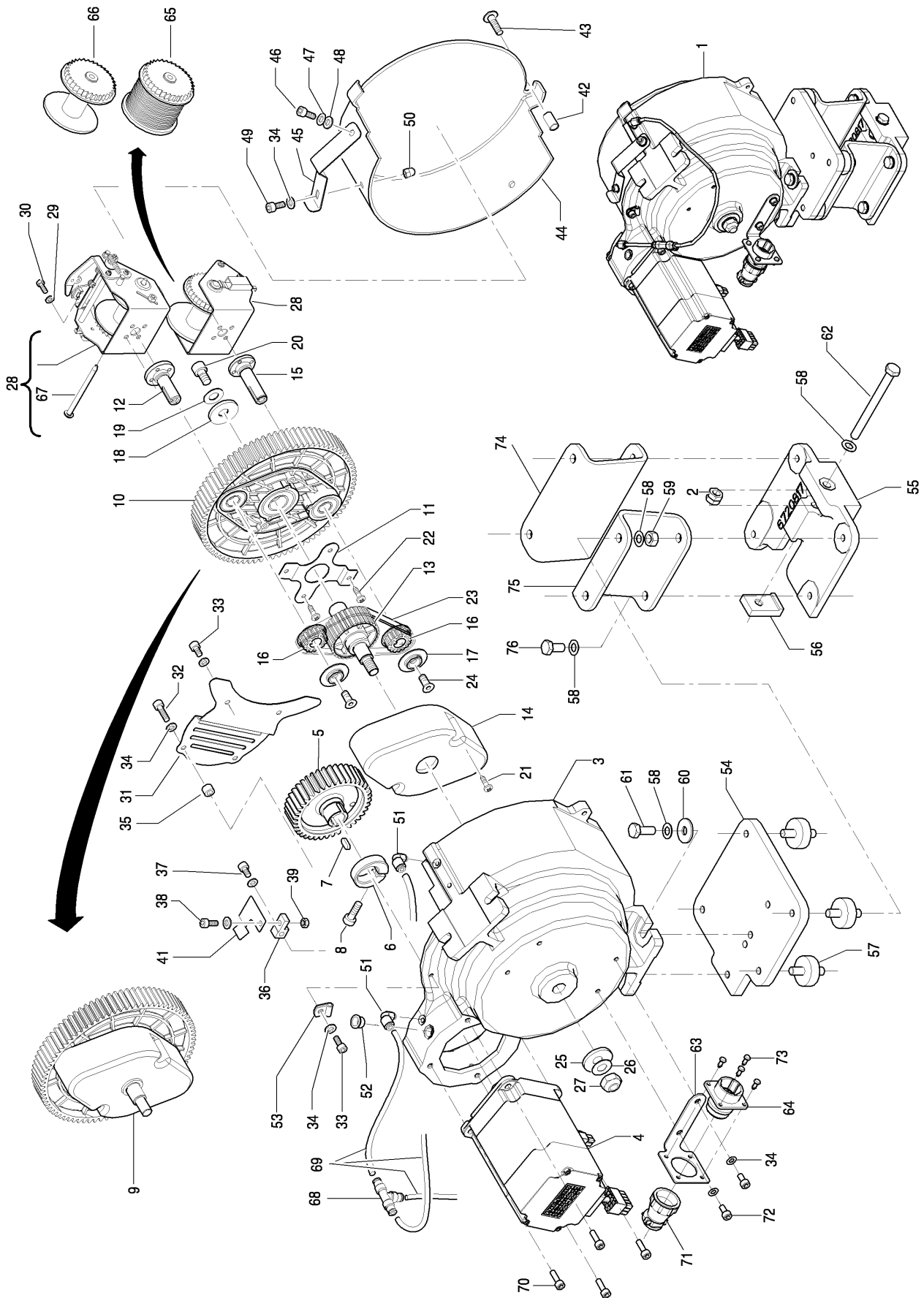
A9500	- ELD - ELECTROMECHANICAL LENO DEVICE - ELD -	ZA003-01
	Valid lots from YD11 to	19/10/2015



A9500	- ELD - ELECTROMECHANICAL LENO DEVICE - ELD -	ZA003-01
	Valid lots from YD11 to	19/10/2015

Pos.	Code	Widths	Remarks	Lots
1	191170062		Splitz left	
2	191170063		Splitz right	
2	191170064		Splitz right * Guidafili per cantrina Defilè	
3	110021114			
4	110021116			
5	0141014		rond.di sic.zig.schnorr"s" 5.3x9x0.6 brunita	
6	131170104			
7	151370000			
8	131170099			
9	0121002		rond.piana d=5,3 uni6592 zincata	
10	0141002		molla a tazza 10x5,2x0,5 din2093	
11	110101020			
12	110452034			
13	110103010			
14	VM11024		molla a tazza d.16x8.2x0.6 din 2093	
15	VV16355		vite tcei m6x30-12.9 iso4762 brunita	
16	131170098			
17	110011043			
18	131170100			
19	131270057			
20	QEKY55A			
21	QEKY12A			
22	0021096		vite tcei m5x18 u5931 cl12.9 brunit	
23	ECS6125		perno folle per splitz	
24	CPNR656			
25	ECS097R		cus.c.rad.rigido a sfere (g.pr.) 619/6zz	
26	QEKY15A			
27	131170056			
28	VV19001		grano m3x5 uni5923 cl.45h zincata	
29	131170057			
30	131170058			
31	0030000		grano m3x3 uni5923 cl.45h brunito	
32	QEKY54A			
33	191170035			
34	QEKY16A			
35	QEKY48A			
36	QEKY14B			
37	0023056		vite tcei m8x40 u5931 cl12,9 brun.	
38	131170097			
39	131170005			
40	EEC856K			
41	0081007		vite autoformante din7500 form c m4x6 zn	
42	EEC6780			
43	0123001		rond.piana d=8,4 uni6592 zincata	
44	110013032			
45	VM11016		molla tazza din.2093 12,5x 6,2x 0,5	
46	110022102			
47	131170008			
48	QEKY33A			
49	0023063		vite tcei m8x25-12.9 iso4762 brunita	
50	VM11022		molla a tazza din.2093 15x8.2x0.7	
51	QEKY35A			
52	131170102		Guidafili per cantrina Defilè	

A9500	- RLD - PLANET TYPE LENO DEVICE		ZA005-00
	Valid lots from to		01/09/2012



A9500	- RLD - PLANET TYPE LENO DEVICE		ZA005-00
	Valid lots from to		01/09/2012

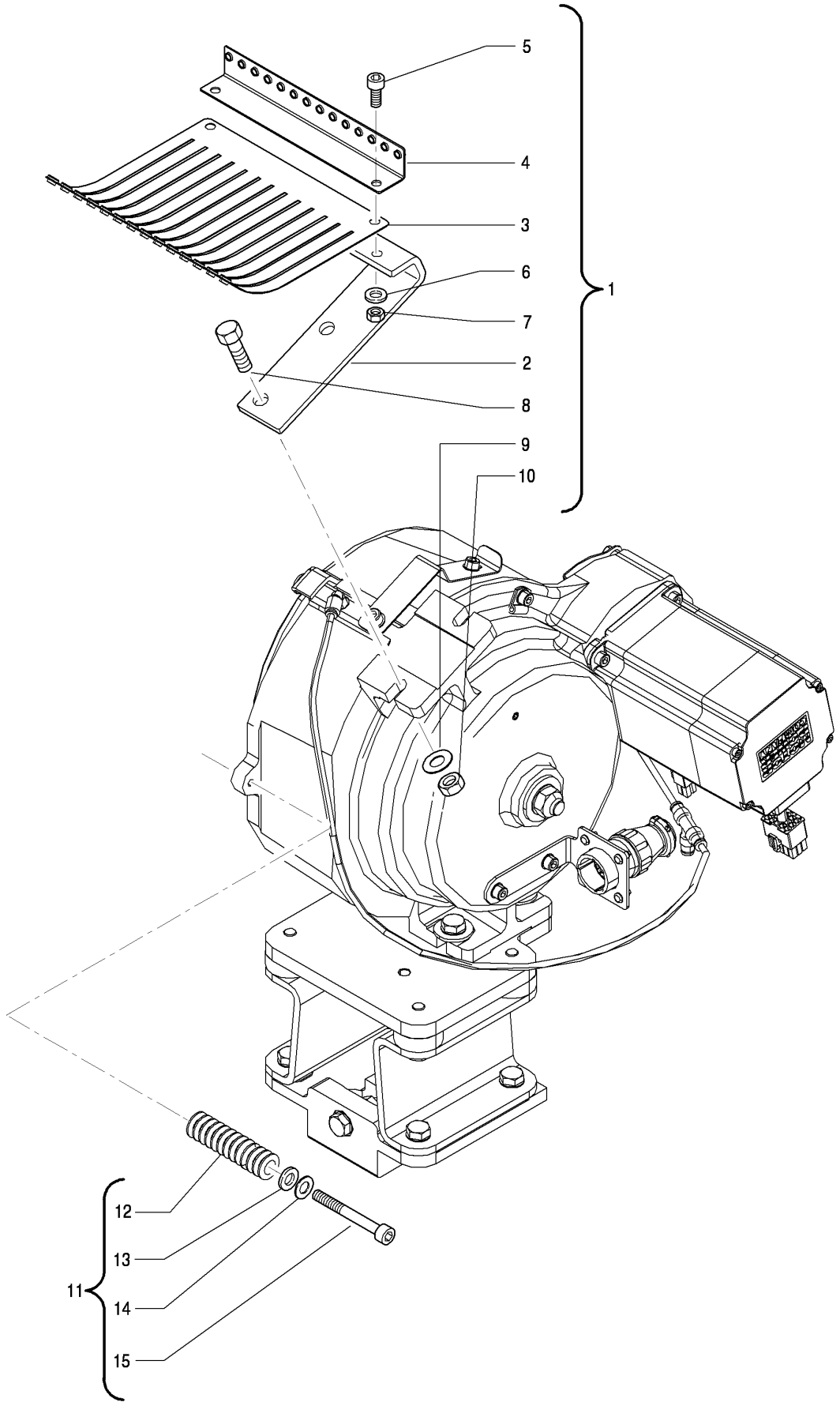
Pos.	Code	Widths	Remarks	Lots
1	191170016		Left.	
1	191170017		Right.	
2	0103002		dado basso uni5589 m8 cl.8 zincato	
3	131170009			
4	151180322			
5	QEKY014			
6	QEKY008			
7	VL11043		linguetta inc.rt. din 6885 5x5x25	
8	0022017		vite tcei m6x20 u5931 cl8.8 zincata	
9	QAKY000			
10	QAKY008			
11	QEKY029			
12	QEKY004			
13	QEKY007			
14	QEKY003			
15	QEKY005			
16	QEKY001			
17	QEKY034			
18	VR18045		rond.piana d.24x8,5x2 din9021 zincata	
19	VM11022		molla a tazza din.2093 15x8.2x0.7	
20	0023003		vite tcei m8x16 u5931 cl8.8 zincata	
21	0081037		vite ph-ab m4,2x16 uni6954 zincata	
22	0081036		vite pz-b m4,2x9,5 uni6954 zincata	
23	0423152		cinghia 90x1031 isoram	
24	VV18162		vite tspei m6x14 uni5933 cl10.9 zincata	
25	0124002		rond.piana d=11x30x2,5 iso7093-2 100hv zincata	
26	VM11036		molla tazza din.2093 20x10,2x 0,8	
27	VD14008		dado es.autoblocc.din.985 m10 zn.	
28	QAKY013		Left.	
28	QAKY014		Right.	
29	VM11004		molla tazza din.2093 8x 4,2x 0,4	
30	0011017		vite te m4x8 u5739 cl8.8 zincata	
31	QEKY016			
32	0021014		vite tcei m5x20 u5931 cl8.8 zincata	
33	0021010		vite tcei m5x10 u5931 cl8.8 zincata	
34	0141002		molla a tazza 10x5,2x0,5 din2093	
35	QEKY035			
36	QEKY012			
37	0021012		vite tcei m5x16 u5931 cl8.8 zincata	
38	0021011		vite tcei m5x12 u5931 cl8.8 zincata	
39	0101002		dado esag. m5 uni5588 cl.8 zincato	
41	QEKY031		Left.	
41	QEKY013		Right.	
42	QEKY019			
43	0052013		vite tbei con fl. unbrako m6x20 10.9 zincata	
44	QEKY017			
45	QEKY021			
46	0022001		vite tcei m6x10 u5931 cl8.8 zincata	
47	VM11016		molla tazza din.2093 12,5x 6,2x 0,5	
48	0122001		rond.piana d=6,4 uni6592 zincata	
49	0021009		vite tcei m5x8 u5931 cl8.8 zincata	
50	EED0010			
51	CPNR188			
52	VS15105		sottotappo politene d. 10,5 h9 (t5p0105)	
53	C9C122M			

A9500	- RLD - PLANET TYPE LENO DEVICE		ZA005-00
	Valid lots from to		01/09/2012

Pos.	Code	Widths	Remarks	Lots
54	131170012			
55	QEKY039		Left.	
55	QEKY038		Right.	
56	QEKY040			
57	0463029		antivibrante puffer 3010am8 m8x14 45sh	
58	VM11022		molla a tazza din.2093 15x8.2x0.7	
59	0103001		dado esag.m8 uni5588 cl.8 zincato	
60	0123005		rond.piana d=9x24x2 iso 7093-2 100hv zincata	
61	0013002		vite te m8x20 uni5739 cl8.8 zincata	
62	VV14568		vite te m8x90 uni5739 cl8.8 zincata	
63	131170005			
64	EEC856K			
65	QAKY015		Left.	
65	QAKY016		Right.	
66	0542094		rocchetto jat 100	
67	0542091		perno rocc.splitz jat 200	
68	CPNR501			
69	GPE1720		Choose the required length in mt.	
70	0021071		vite tcei m5x16-12.9 iso4762 brunita	
71	EEC6780			
72	0021010		vite tcei m5x10 u5931 cl8.8 zincata	
73	VR13783		rivetto richco art. sr 3570	
74	131170013			
75	131170014			
76	0013008		vite te m8x16 uni5739 cl8.8 zincata	

A9500		
-------	--	--

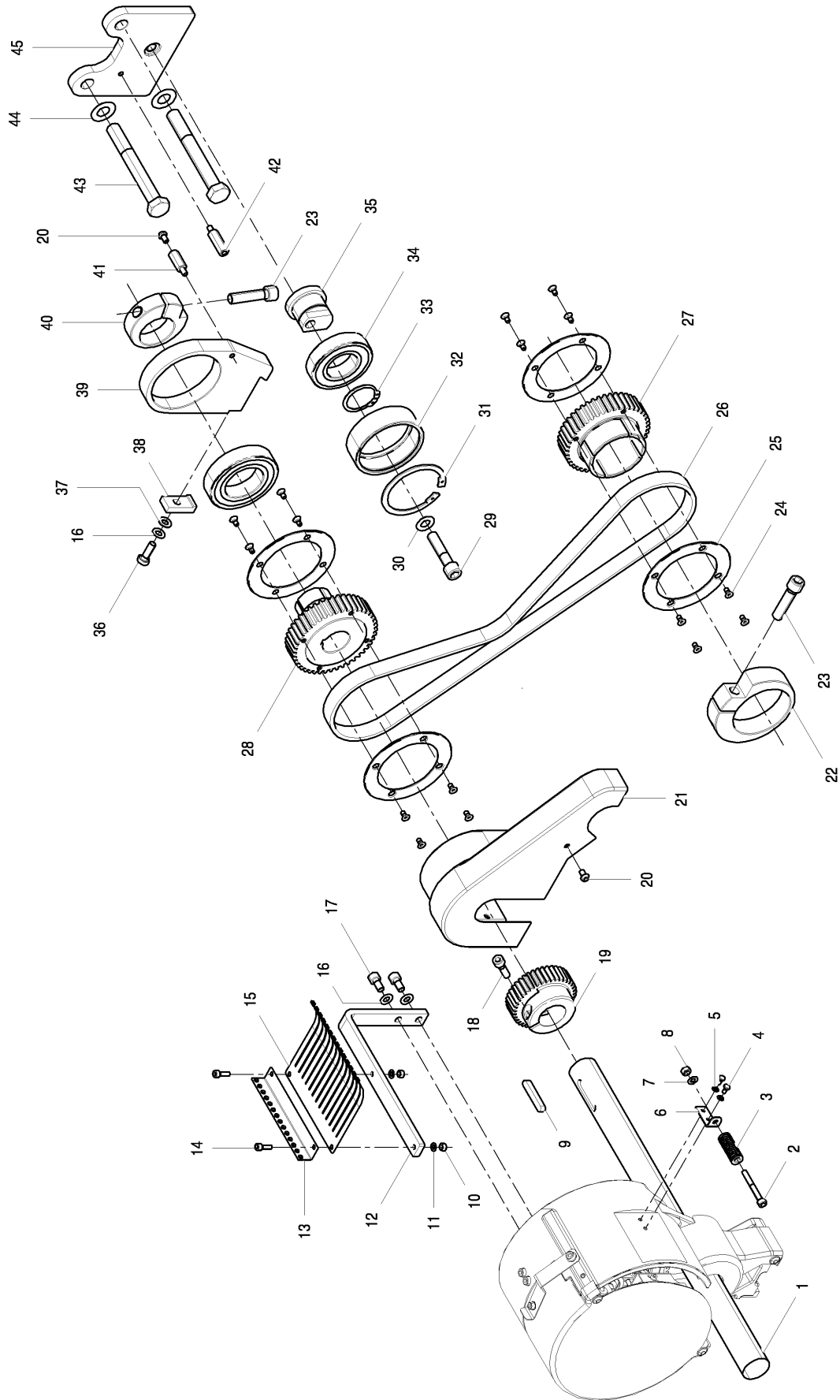
A9500	THREAD GUIDE FOR RIGHT - RLD - PLANET TYPE LENO DEVICE	ZA007-00
	Valid lots from to	01/09/2012



A9500	THREAD GUIDE FOR RIGHT - RLD - PLANET TYPE LENO DEVICE	ZA007-00
	Valid lots from to	01/09/2012

Pos.	Code	Widths	Remarks	Lots
1	QAKY005			
2	QEKY024			
3	QAKY004			
4	QAKY003			
5	110021112			
6	VM11009		molla tazza din.2093 10x 5,2x 0,5	
7	VD13010		dado esag. m 5 uni5588 cl.8 zincato	
8	110013029			
9	VM11022		molla a tazza din.2093 15x8.2x0.7	
10	VD13018		dado esag. m 8 uni5588 cl.8 zincato	
11	QAKY012			
12	QEKY023			
13	VR14055		rond.bisell.din 1440 d.6.4 zn	
14	VM11016		molla tazza din.2093 12,5x 6,2x 0,5	
15	110022110			

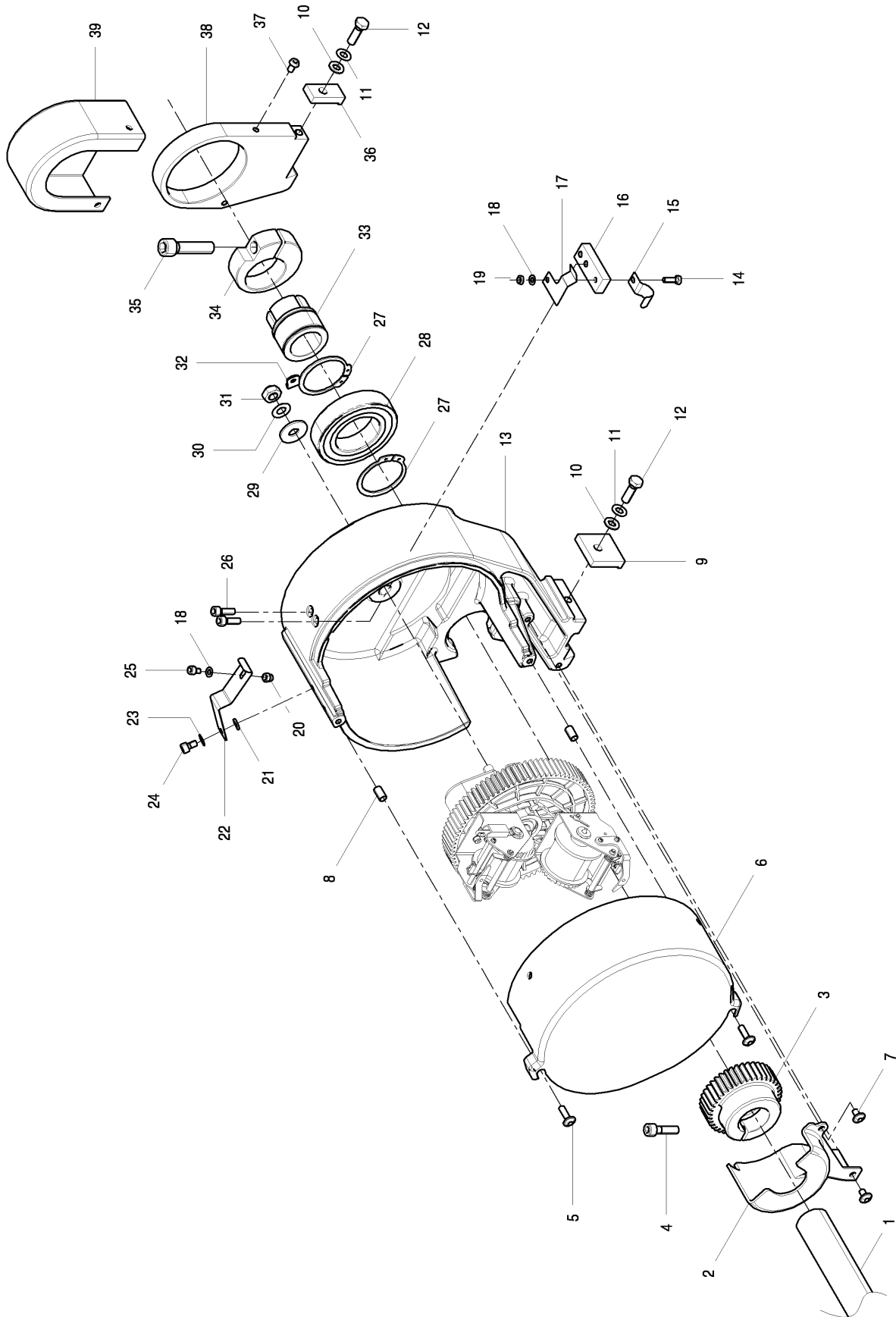
A9500	- MECHANICAL RLD - TRASMISSION PLANET TYPE LENO DEVICE - A9500e	ZA010-00
	Valid lots from to	20/07/2015



A9500	- MECHANICAL RLD - TRASMISSION PLANET TYPE LENO DEVICE - A9500e		ZA010-00
	Valid lots from to		20/07/2015

Pos.	Code	Widths	Remarks	Lots
1	131170066			
1	131170067	2100		
1	131170068	2300		
2	110022110			
3	QEKY023			
4	110011035			
5	VM11004		molla tazza din.2093 8x 4,2x 0,4	
6	131170080			
7	VM11016		molla tazza din.2093 12,5x 6,2x 0,5	
8	110102010			
9	VL11075		linguetta inc.rt-din.6885 8x 7x 50	
10	110101020			
11	0141002		molla a tazza 10x5,2x0,5 din2093	
12	131170075			
13	QEKY022			
14	110021114			
15	QEKY025			
16	VM11025		molla tazza din.2093 16x 8,2x 0,9	
17	110023074			
18	VV16216		vite tcei m8x30-12.9 iso4762 brunita	
19	131170071			
20	VV18517		vite tbei m6x10-10.9 iso7380 brunita	
21	131170083			
22	131170076			
23	0025013		vite tcei m12x50-12.9 iso4762 brunita	
24	0041004		vite tspei m5x10 u5933c10.9 zincata	
25	131170077			
26	110423044			
27	131170079			
28	131170078			
29	110025061			
30	VM11045		molla tazza din.2093 23x12,2x 1,25-262.600.068	
31	0198001		anello elastico di sic.per fori d=80 uni7437din472	
32	131170072			
33	VA10538		anello d'arr.esterno din.471 d.40	
34	0308001		cuscin.6208-2rs1 rad.rig.sf.40x80x18	
35	131170073			
36	110013030			
37	0123001		rond.piana d=8,4 uni6592 zincata	
38	QEKY030			
39	131170070			
40	QES920B			
41	131170086			
42	131170085			
43	110007029			
44	VM11056		molla tazza din.2093 31,5x16,3x 0,80	
45	131170074			

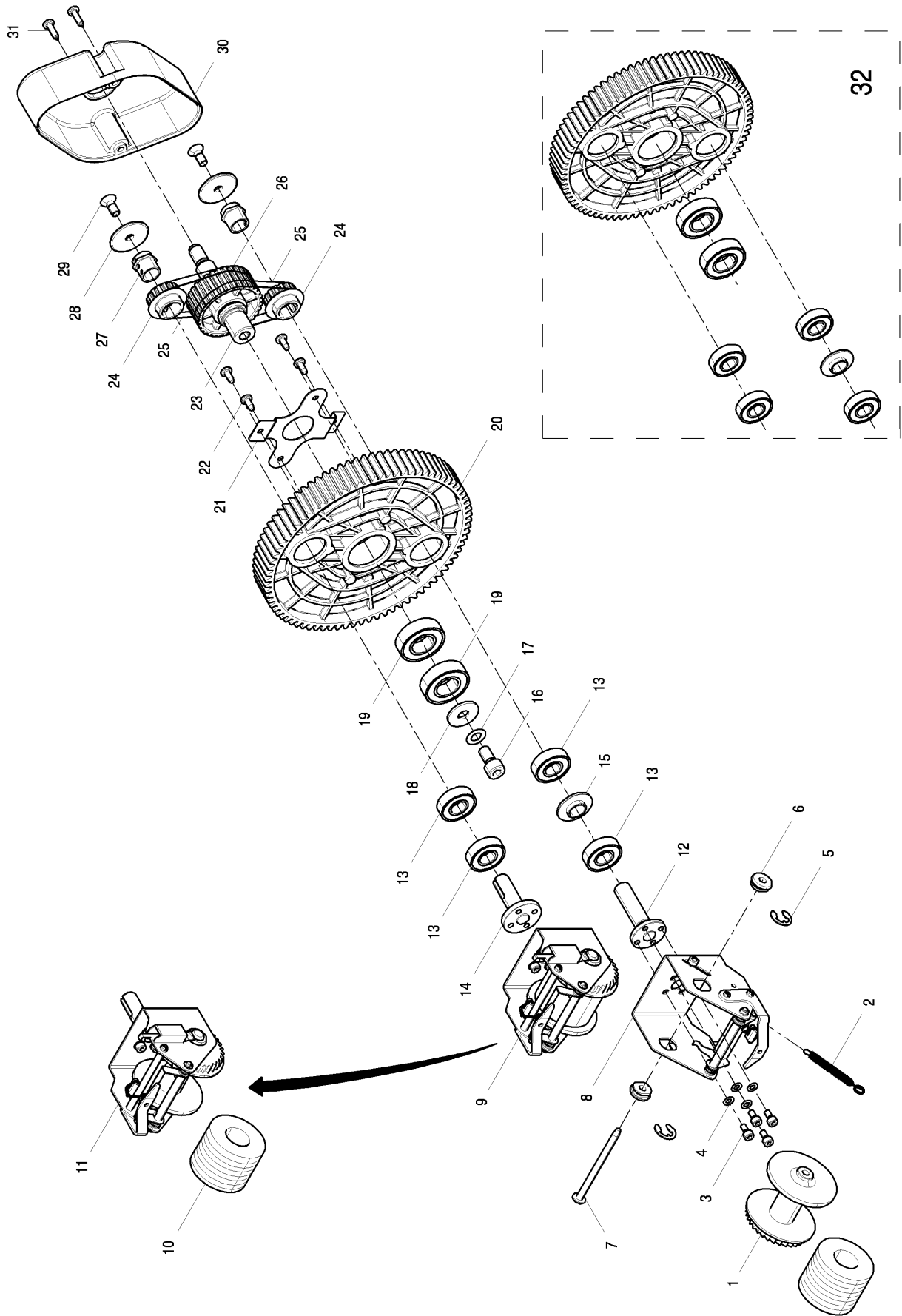
A9500	- MECHANICAL RLD - PLANET TYPE LENO DEVICE - A9500e	ZA012-00
	Valid lots from to	20/07/2015



A9500	- MECHANICAL RLD - PLANET TYPE LENO DEVICE - A9500e		ZA012-00
	Valid lots from to		20/07/2015

Pos.	Code	Widths	Remarks	Lots
1	131170066	1900		
1	131170067	2100		
1	131170068	2300		
2	131170092		Splitz left	
2	131170093		Splitz right	
3	131170071			
4	VV16216		vite tcei m8x30-12.9 iso4762 brunita	
5	0052013		vite tbei con fl. unbrako m6x20 10.9 zincata	
6	131170096			
7	VV18742		vite tbei. con fl.unbrako m 6x10 zn.	
8	QEKY019			
9	131170063			
10	0123001		rond.piana d=8,4 uni6592 zincata	
11	VM11025		molla tazza din.2093 16x 8,2x 0,9	
12	110013030			
13	131170061		Splitz left	
13	131170062		Splitz right	
14	110011045			
15	QEKY011			
16	131170064			
17	131170065		Splitz left	
17	QEKY013		Splitz right	
18	0141002		molla a tazza 10x5,2x0,5 din2093	
19	110101022			
20	EED0010			
21	0122001		rond.piana d=6,4 uni6592 zincata	
22	QEKY021			
23	VM11016		molla tazza din.2093 12,5x 6,2x 0,5	
24	110022101			
25	110021111			
26	0022018		vite tcei m6x20-8.8 iso4762 brunita	
27	VA10546		anell0 d'arresto d.50 din471	
28	0309003		cuscinet.6210-2rs a sfere 50x90x20	
29	0124002		rond.piana d=11x30x2,5 iso7093-2 100hv zincata	
30	VM11036		molla tazza din.2093 20x10,2x 0,8	
31	VD14008		dado es.autoblocc.din.985 m10 zn.	
32	C9C122M			
33	131170069			
34	QES920B			
35	0025013		vite tcei m12x50-12.9 iso4762 brunita	
36	QEKY030			
37	VV18517		vite tbei m6x10-10.9 iso7380 brunita	
38	131170070			
39	131170081			

A9500	- MECHANICAL RLD - MOTION PLANET TYPE LENO DEVICE - A9500e	ZA014-00
	Valid lots from to	20/07/2015



A9500	- MECHANICAL RLD - MOTION PLANET TYPE LENO DEVICE - A9500e		ZA014-00
	Valid lots from to		20/07/2015

Pos.	Code	Widths	Remarks	Lots
1	0542094		rocchetto jat 100	
2	110469026			
3	110021103			
4	VM11004		molla tazza din.2093 8x 4,2x 0,4	
5	0171003		anello benzing d=8 uni7434	
6	110542104			
7	0542091		perno rocc.splitz jat 200	
8	110542102		Splitz left	
8	110542103		Splitz right	
9	191170050		Splitz left	
9	191170049		Splitz left	
10	C9F2634			
11	191170047		Splitz left	
11	191170048		Splitz right	
12	QEKY005			
13	0302027		cusc.skf 6001-2rsh/c2lht23 12x28x8	
14	QEKY004			
15	QEKY009			
16	0023003		vite tcei m8x16 u5931 cl8.8 zincata	
17	VM11022		molla a tazza din.2093 15x8.2x0.7	
18	0123005		rond.piana d=9x24x2 iso 7093-2 100hv zincata	
19	0303034		cusc.skf 6003-2rsh/lht23 17x35x10	
20	QEKY000			
21	QEKY029			
22	0081036		vite pz-b m4,2x9,5 uni6954 zincata	
23	QEKY006			
24	QEKY001			
25	0423152		cinghia 90xl031 isoram	
26	QEKY007			
27	QEKY033			
28	QEKY034			
29	VV18162		vite tspei m6x14 uni5933 cl10.9 zincata	
30	QEKY003			
31	0081037		vite ph-ab m4,2x16 uni6954 zincata	
32	QAKY008			

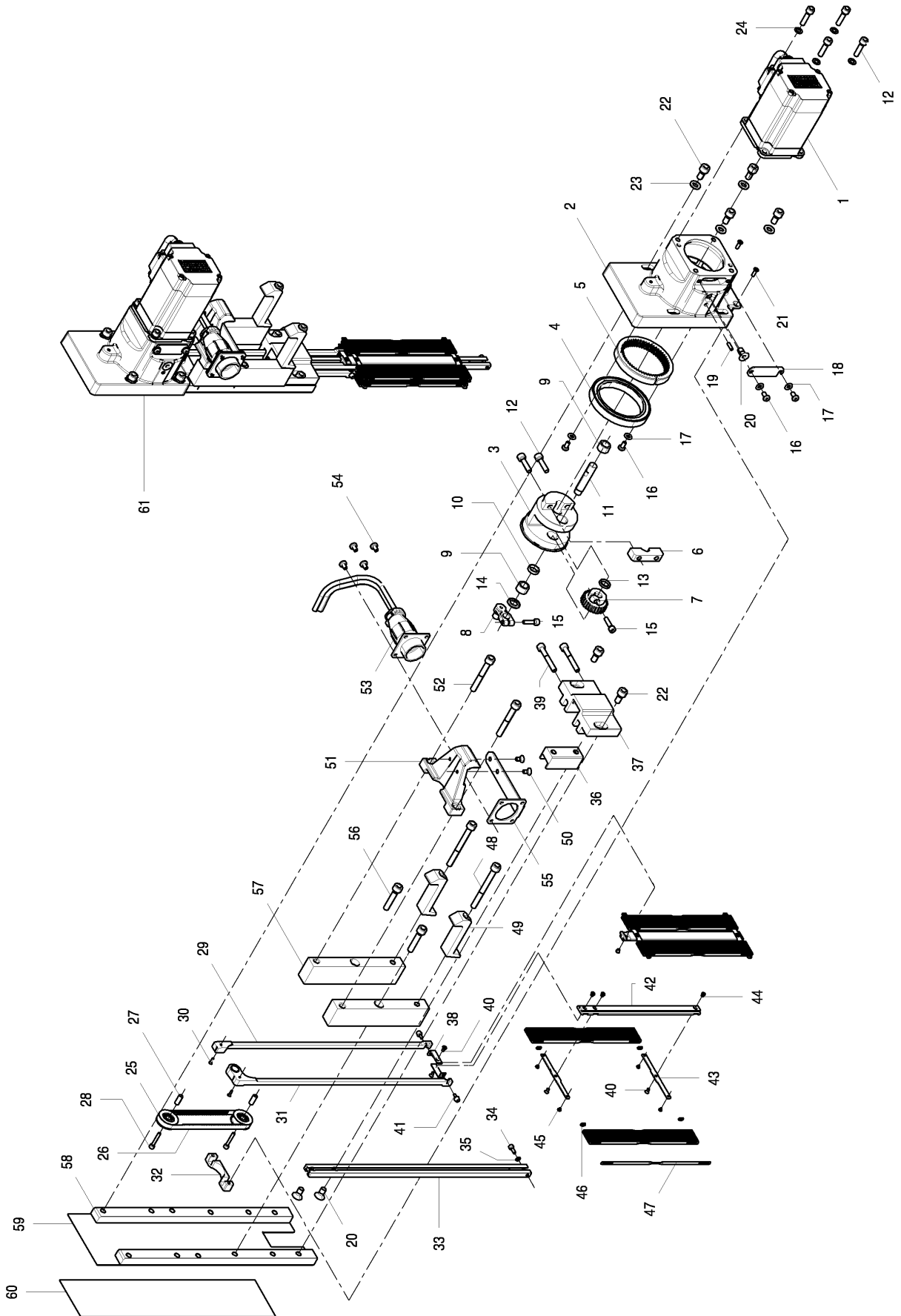
A9500

- ISD - CENTRAL LENO DEVICE

ZA016-00

25/09/2015

Valid lots from to



A9500	- ISD - CENTRAL LENO DEVICE		ZA016-00
	Valid lots from to		25/09/2015

Pos.	Code	Widths	Remarks	Lots
1	151370000			
2	131170043			
3	131170031			
4	110309097			
5	131170018			
6	131170029			
7	131170017			
8	131270108			
9	0312009		boccola rullini hk0908 9x13x8	
10	131170035			
11	131170025			
12	110021115			
13	2148718			
14	2148724			
15	110021106			
16	0051045		vite tbei m4x8-10.9 iso7380 brunita	
17	0121001		rond.piana d=4,3 uni6592 zincata	
18	131170037			
19	0234002		spina elastica 3x10 din1481	
20	0042017		vite tspei m6x12 u5933c10.9 zincata	
21	110081012			
22	110022102			
23	0122001		rond.piana d=6,4 uni6592 zincata	
24	0141014		rond.di sic.zig.schnorr"s" 5.3x9x0.6 brunita	
25	131170019			
26	110423043			
27	131170028			
28	110020036			
29	131170020			
30	2113008			
31	131170021			
32	131170027			
33	131170033			
34	0020007		vite tcei m3x8 u5931 cl8.8 zincata	
35	0140011		rond.di sic.zig.schnorr"s" 3,2x5,5x0,45 brunita	
36	131170030			
37	131170032			
38	131170038			
39	110021118			
40	0040045		vite tsp m2,5x5 u7688 c.14 inox	
41	2113046			
42	131170044			
43	131170060			
44	131170047			
45	2113004			
46	EDL147A			
47	2563146			
48	110022112			
49	131170024			
50	0041020		vite tspei m4x8 u5933 cl10.9 zincata	
51	131170034			
52	110022109			
53	131270025			
54	0081007		vite autoformante din7500 form c m4x6 zn	
55	131170045			

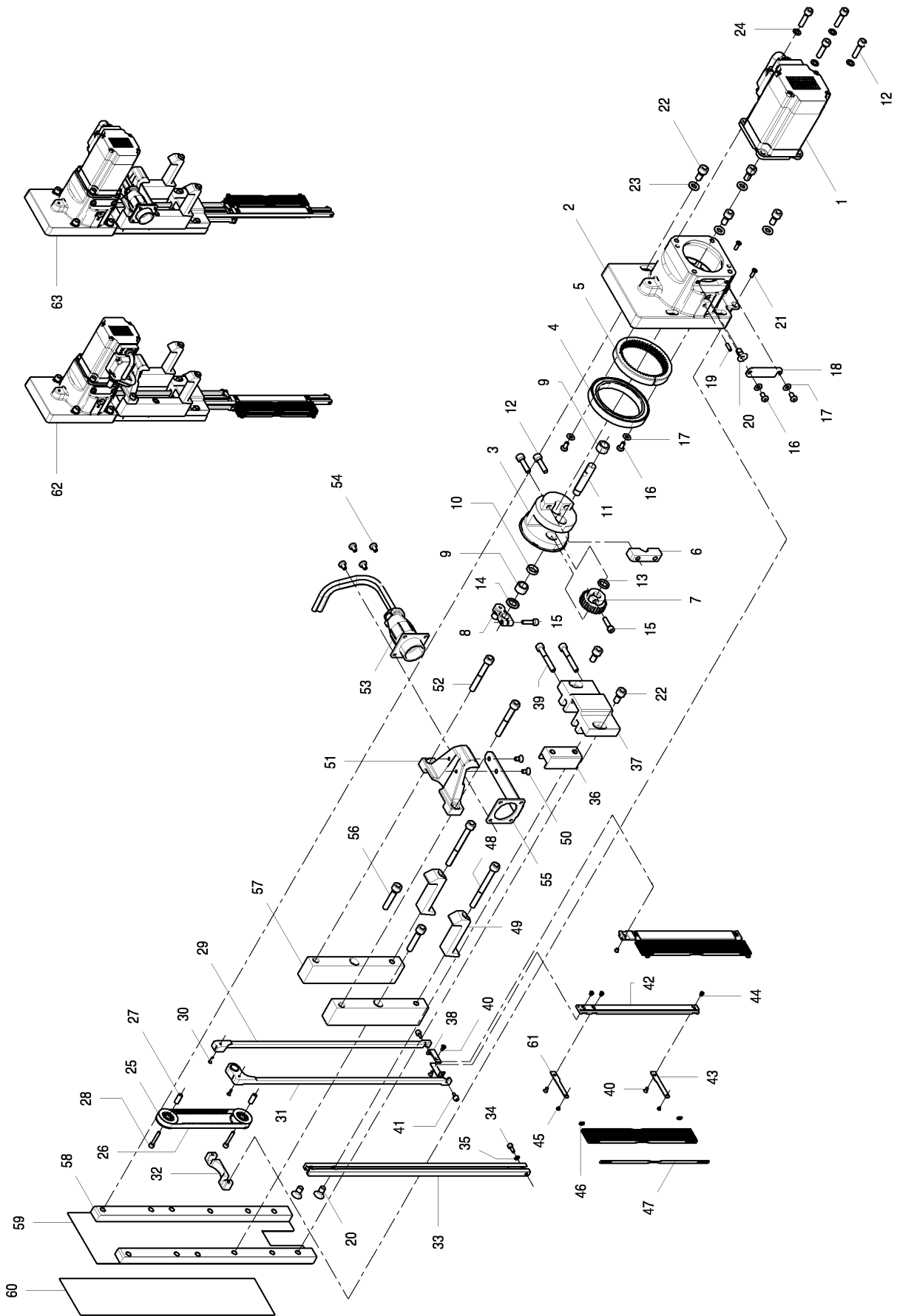
A9500	- ISD - CENTRAL LENO DEVICE		ZA016-00
	Valid lots from to		25/09/2015

Pos.	Code	Widths	Remarks	Lots
------	------	--------	---------	------

56	110022106			
57	131170016			
58	131170041			
59	131170040			
60	2569084			
61	191170043			

A9500		

A9500	- ISD - LEFT AND RIGHT LENO DEVICE	ZA018-00
	Valid lots from to	25/09/2015



A9500	- ISD - LEFT AND RIGHT LENO DEVICE		ZA018-00
	Valid lots from to		25/09/2015

Pos.	Code	Widths	Remarks	Lots
1	151370000			
2	131170043			
3	131170031			
4	110309097			
5	131170018			
6	131170029			
7	131170017			
8	131270108			
9	0312009		boccola rullini hk0908 9x13x8	
10	131170035			
11	131170025			
12	110021115			
13	2148718			
14	2148724			
15	110021106			
16	0051045		vite tbei m4x8-10.9 iso7380 brunita	
17	0121001		rond.piana d=4,3 uni6592 zincata	
18	131170037			
19	0234002		spina elastica 3x10 din1481	
20	0042017		vite tspei m6x12 u5933c10.9 zincata	
21	110081012			
22	110022102			
23	0122001		rond.piana d=6,4 uni6592 zincata	
24	0141014		rond.di sic.zig.schnorr"s" 5.3x9x0.6 brunita	
25	131170019			
26	110423043			
27	131170028			
28	110020036			
29	131170020			
30	2113008			
31	131170021			
32	131170027			
33	131170033			
34	0020007		vite tcei m3x8 u5931 cl8.8 zincata	
35	0140011		rond.di sic.zig.schnorr"s" 3,2x5,5x0,45 brunita	
36	131170030			
37	131170032			
38	131170038			
39	110021118			
40	0040045		vite tsp m2,5x5 u7688 c.14 inox	
41	2113046			
42	131170044			
43	QEDH11A			
44	131170047			
45	2113004			
46	EDL147A			
47	2563146			
48	110022112			
49	131170024			
50	0041020		vite tspei m4x8 u5933 cl10.9 zincata	
51	131170034			
52	110022109			
53	131270025			
54	0081007		vite autoformante din7500 form c m4x6 zn	
55	131170045			

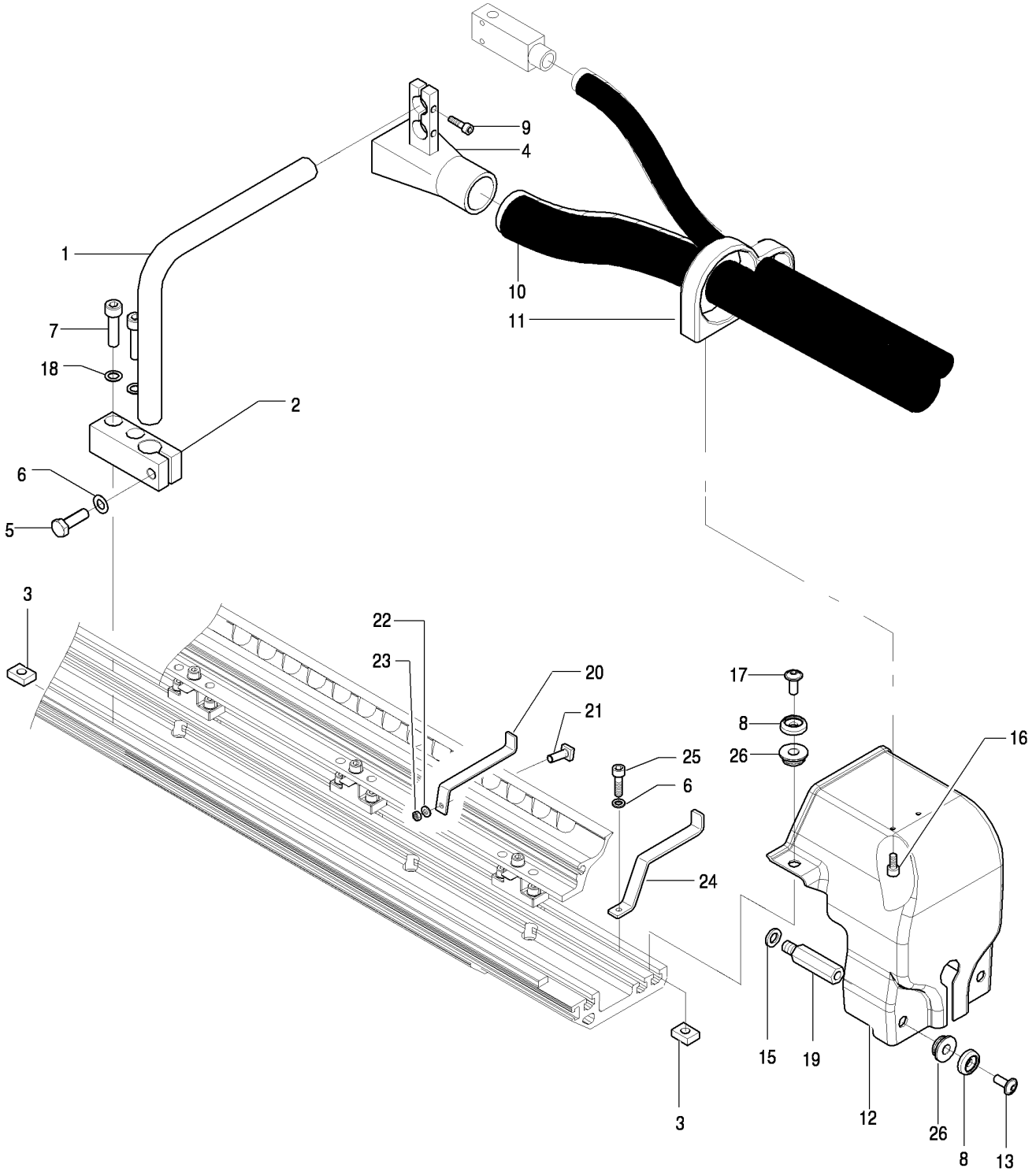
A9500	- ISD - LEFT AND RIGHT LENO DEVICE		ZA018-00
	Valid lots from to		25/09/2015

Pos.	Code	Widths	Remarks	Lots
------	------	--------	---------	------

56	110022106
57	131170016
58	131170041
59	131170040
60	2569084
61	QEDH10A
62	191170022
63	191170023

A9500		
-------	--	--

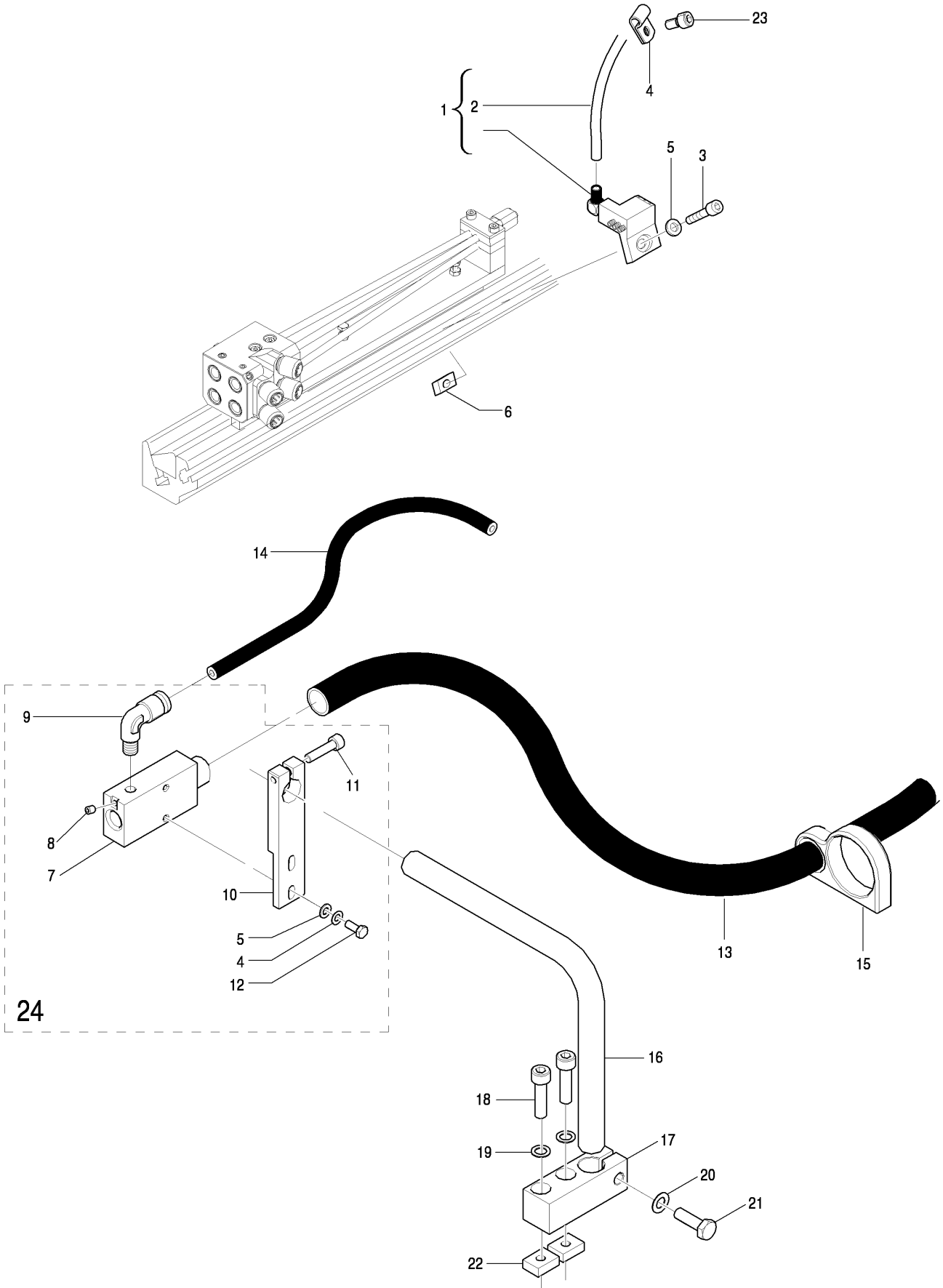
A9500	RIGHT SIDE ASPIRATOR	ZA022-00
	Valid lots from to	01/09/2012



A9500	RIGHT SIDE ASPIRATOR		ZA022-00
	Valid lots from to		01/09/2012

Pos.	Code	Widths	Remarks	Lots
1	131150068			
2	131150070			
3	HDD011A			
4	FK1133C			
5	110013030			
6	VM11022		molla a tazza din.2093 15x8.2x0.7	
7	VV16216		vite tcei m8x30-12.9 iso4762 brunita	
8	2558264			
9	0022007		vite tcei m6x25 u5931 cl8.8 zincata	
10	0664009		tubo d=40 air trasparente * Choose the required length in mt.	
11	131170015			
12	131160096			
13	0023059		vite tcbei con flang.m8x30 cl.10,9 brunita	
15	VM11036		molla tazza din.2093 20x10,2x 0,8	
16	0081034		vite pz-ab m4,8x13 uni6954 zincata	
17	0023049		vite tcbei con flang.m8x20 cl.10,9 brunita	
18	0143008		rond.di sic.zig.schnorr"s" 8.4x13x0,8 brunita	
19	131110136			
20	QEK1000			
21	2110542			
22	VM11016		molla tazza din.2093 12,5x 6,2x 0,5	
23	0102001		dado esag.m6 uni5588 cl.8 zincato	
24	QEKY032		Valid parts just for looms with tuck-in device.	
25	VV16070		vite tcei m8x18 iso4762 cl8.8 zincata	
26	HDP077A			

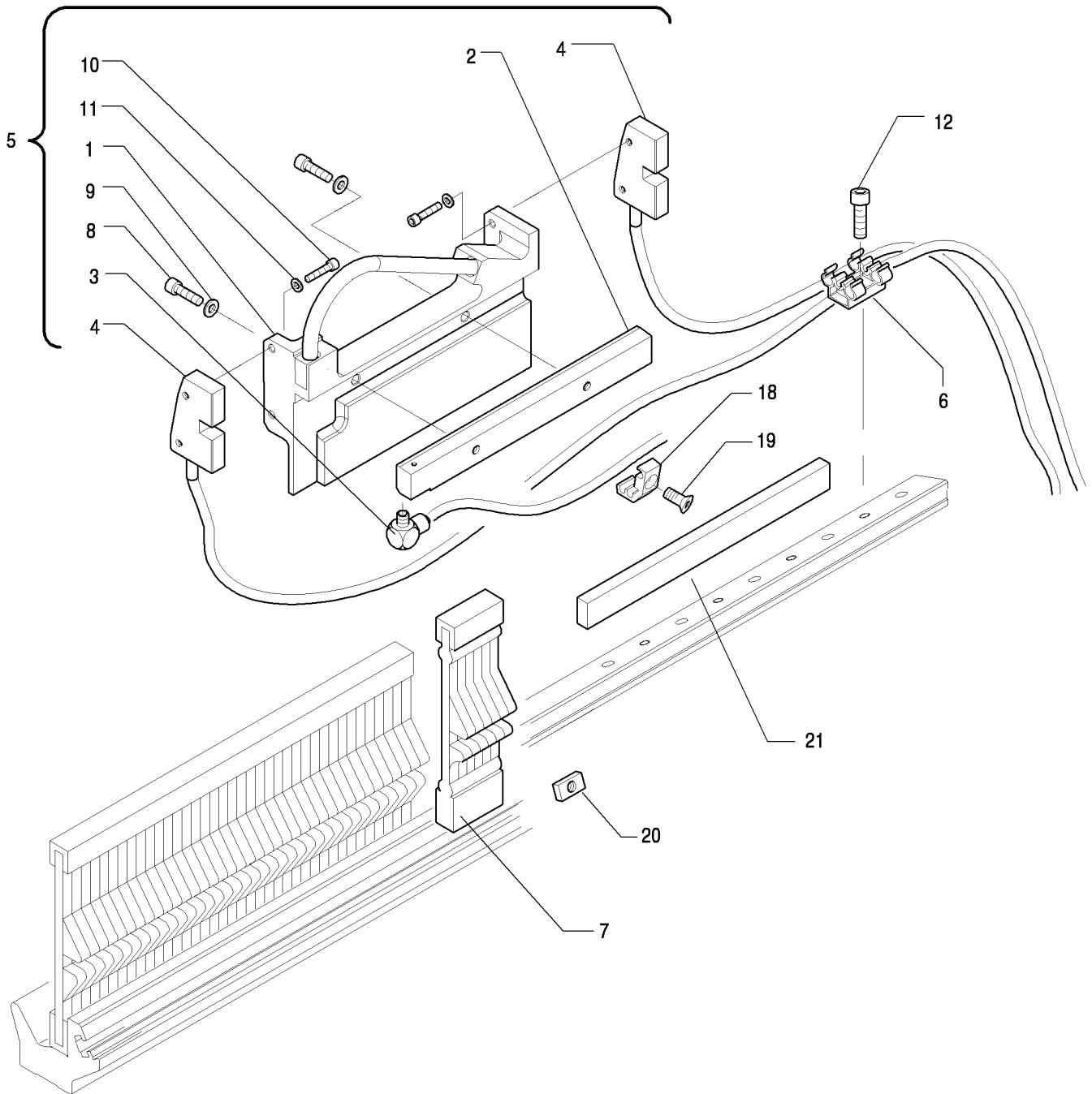
A9500	F.A.R. FILLING AUTOMATIC REPAIR	ZA024-00
	Valid lots from to	02/10/2015



A9500	F.A.R. FILLING AUTOMATIC REPAIR		ZA024-00
	Valid lots from to		02/10/2015

Pos.	Code	Widths	Remarks	Lots
1	DK1218B			
2	GPE172A		Choose the required length in mt.	
3	110021113			
4	C9C1238			
5	0121002		rond.piana d=5,3 uni6592 zincata	
6	QEH3029			
7	FK1110A			
8	VV19020		grano m5x6 uni5923 cl.45h zincata	
9	CPNR100			
10	FKG016A			
11	0022019		vite tcei m6x25-12.9 iso4762 brunita	
12	110011044			
13	2148679		Choose the required length in mt.	
14	GPE1721		Choose the required length in mt.	
15	131170015			
16	131150068			
17	131150070			
18	VV16216		vite tcei m8x30-12.9 iso4762 brunita	
19	0143008		rond.di sic.zig.schnorr"s" 8.4x13x0,8 brunita	
20	VM11022		molla a tazza din.2093 15x8.2x0.7	
21	110013030			
22	HDD011A			
23	110021112			
24	DK1207A			

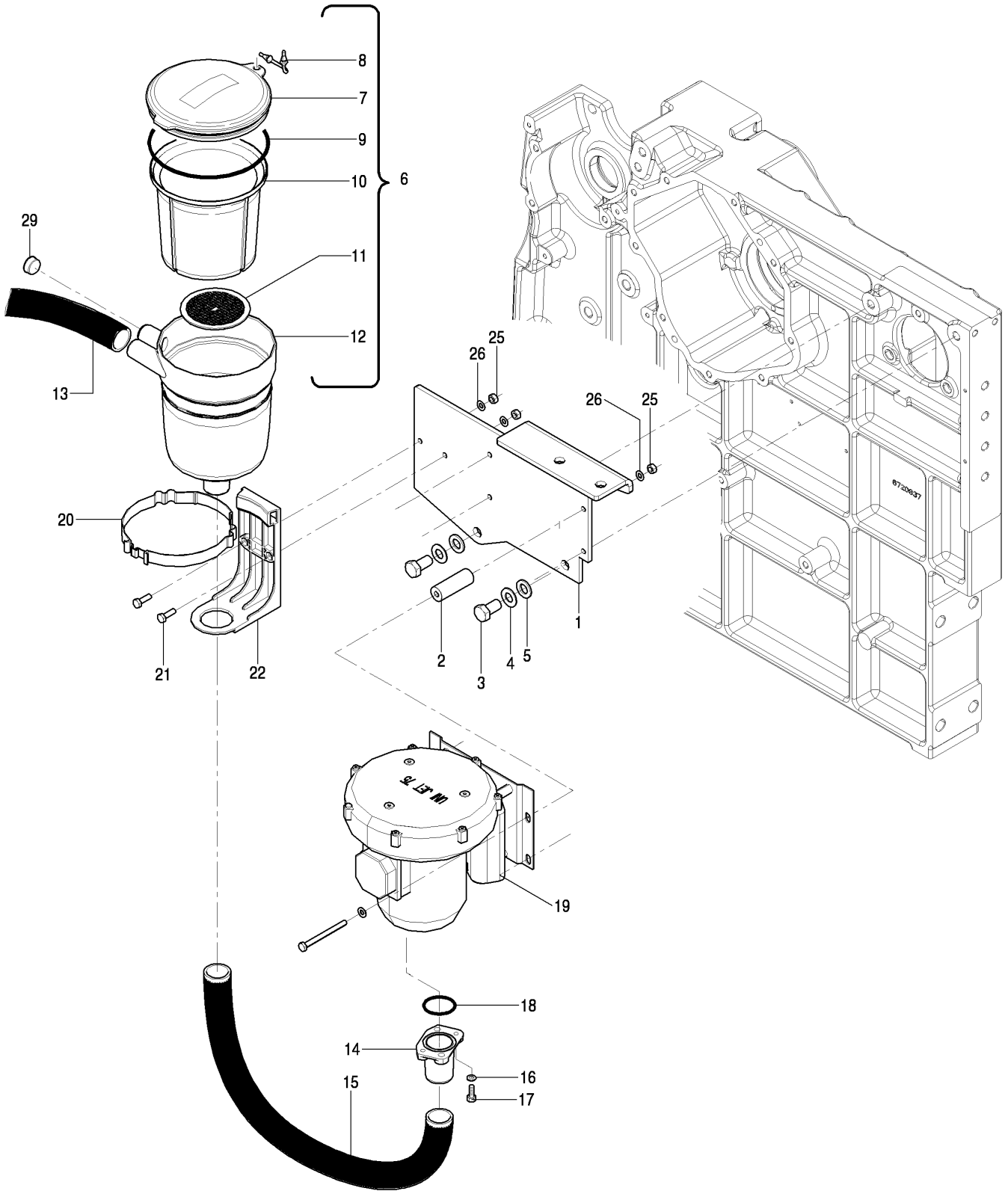
A9500	WEFT PHOTOCELLS WITH SHORT REED	ZA025-00
	Valid lots from to	01/09/2012



A9500	WEFT PHOTOCELLS WITH SHORT REED		ZA025-00
	Valid lots from to		01/09/2012

Pos.	Code	Widths	Remarks	Lots
1	131150066			
2	QEKG13A			
3	CPNR187			
4	120816011			
5	191150027			
6	QEKU01A			
7	DKG119C			
8	VV16016		vite tcei m4x14 iso4762 cl8.8 zincata	
9	VM11004		molla tazza din.2093 8x 4,2x 0,4	
10	VV16005		vite tcei m3x14 iso4762 cl8.8 zincata	
11	VM11002		molla tazza din.2093 8x 3,2x 0,4	
12	VV16032		vite tcei m5x16 uni5931 cl8.8 zincata	
13	VM11009		molla tazza din.2093 10x 5,2x 0,5	
14	EH3105B			
15	HH3066A			
16	VD10005		dado esag.alto uni 5587 m 5 zn	
17	FKL009A			
18	FKG049A			
19	VV18016		vite tspei m5x12 uni5933 cl10.9 zincata	
20	EH3094A			
20	QEH3029			
21	FKL008A			

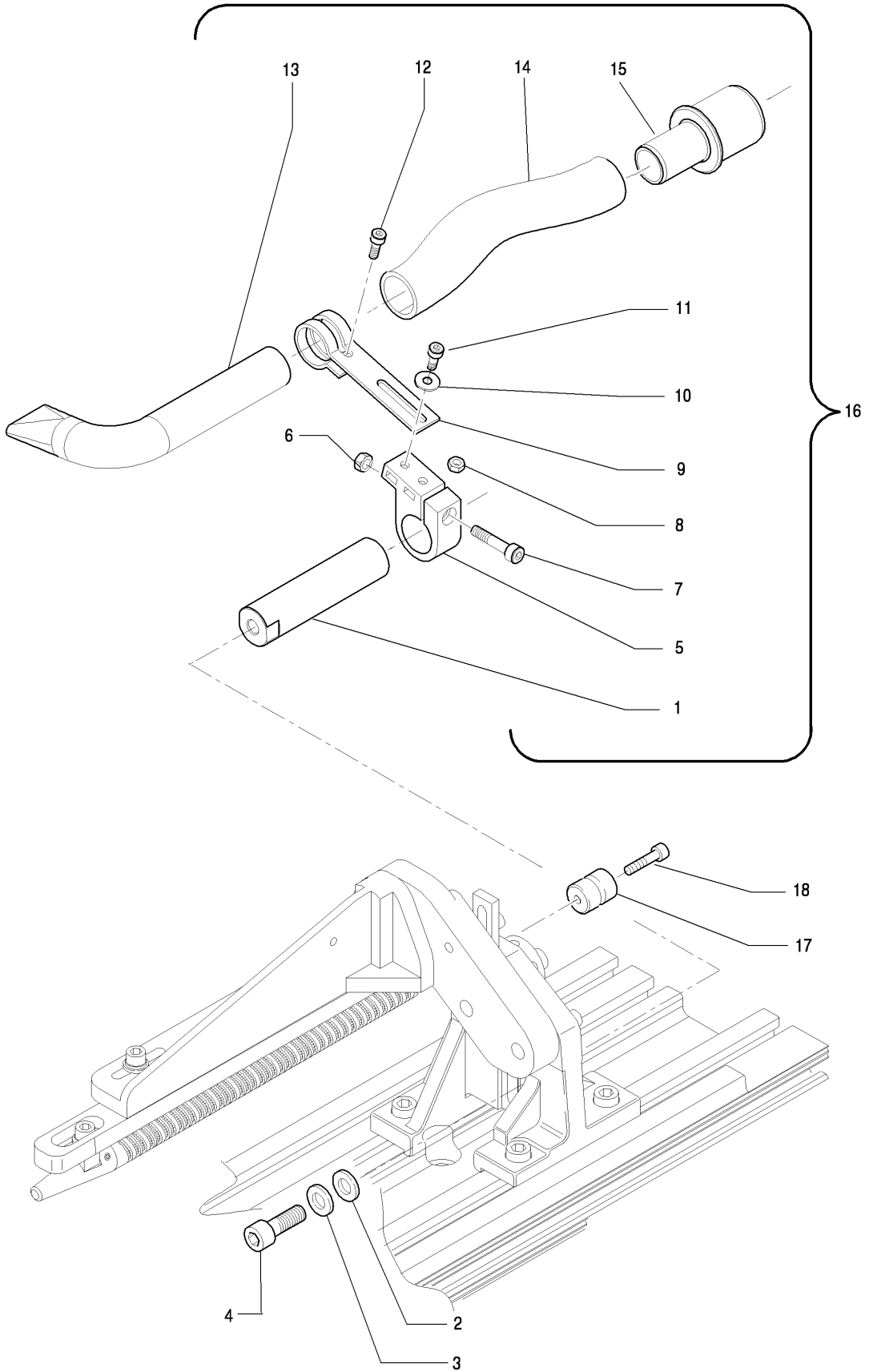
A9500	SUCTION DEVICE MOTOR AND FILTER	ZA027-00
	Valid lots from to	01/09/2012



A9500	SUCTION DEVICE MOTOR AND FILTER		ZA027-00
	Valid lots from to		01/09/2012

Pos.	Code	Widths	Remarks	Lots
1	131170000			
2	131170010			
3	110017024			
4	VM11058		molla tazza din.2093 31,5x16,3x 2	
5	0127001		rond.piana d=17 uni6592 zincata	
6	9280755			
7	2548706			
8	2548714			
9	2548750			
10	2558396			
11	2548062			
12	2558394			
13	0663002		tubo d=30 air trasparente * Choose the required length in mt.	
14	2548712		Valid piece just with fitted filter	
14	C9E352K		Valid piece only without filter	
15	GPE201A		Valid piece just with fitted filter * Choose the required length in mt.	
15	0664009		tubo d=40 air trasparente * Valid piece only without filter * Choose the required length in mt.	
16	VR19075		rosett.el.dent.est.az.din.6798 d. 6 zn.	
17	110012029			
18	VG13560		guarnizione gaco tipo or 3168 * Valid piece just with fitted filter	
19	0892025		aspiratore esam uni jet 75cc 015060 * 200 V.- 220 V.- 380 V. * 50 Hz * 200 V.- 220 V.- 240 V.- 380 V.- 400 V.- 415 V.- 440 V. * 60 Hz	
19	0892030		aspiratore esam uni jet 75cc t2 015061-262.600.437 * 240 V.- 400 V.- 415 V.- 440 V. * 50 Hz * 480 V. * 60 Hz	
19	0892031		aspiratore esam uni jet 75cc 015062 * 575 V. * 60 Hz	
20	2548756			
21	110013030			
22	2558811			
25	110103010			
26	VM11025		molla tazza din.2093 16x 8,2x 0,9	
29	VS15255		sottotappo politene d. 25,5 h11(t5p0255)	

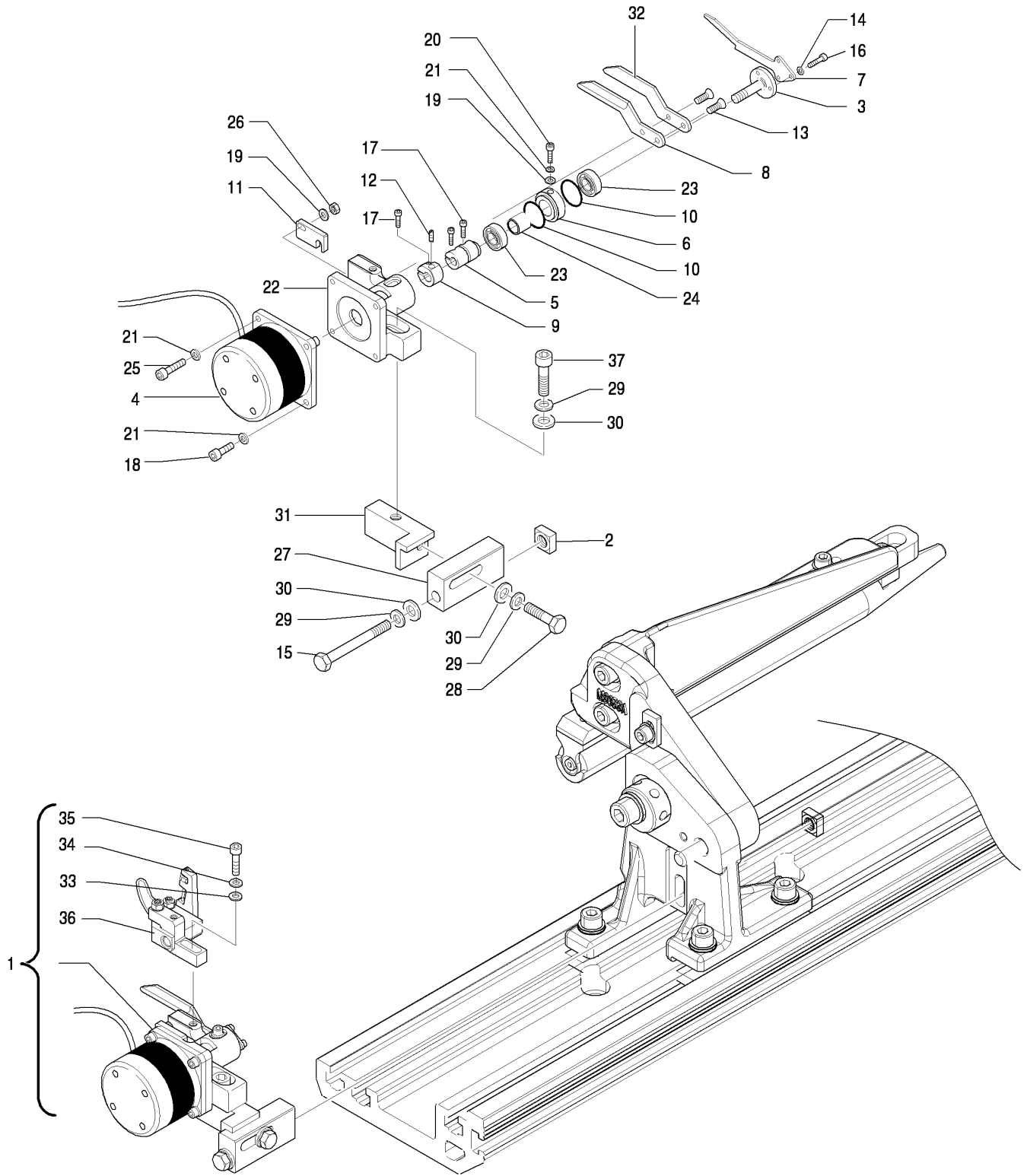
A9500	SUCTION DEVICE FOR WASTE SELVEDGE	ZA029-00
	Valid lots from to	01/09/2012



A9500	SUCTION DEVICE FOR WASTE SELVEDGE		ZA029-00
	Valid lots from to		01/09/2012

Pos.	Code	Widths	Remarks	Lots
1	QELT003			
2	VR14080		rond.bisell.din 1440 d.8,4 zn	
3	VM11022		molla a tazza din.2093 15x8.2x0.7	
4	0023000		vite tcei m8x22 u5931 cl12.9 brunita	
5	2558450			
6	0101002		dado esag. m5 uni5588 cl.8 zincato	
7	110021116			
8	0101001		dado esag. m4 uni5588 cl.8 zincato	
9	2560731			
10	VR18105		rondel.spec.din.9021 de.12x4,3x1 zn.	
11	110021104			
12	0021039		vite tcei m4x12-8.8 iso4762 brunita	
13	2508168			
14	0824057		guaina cavoflex d=20 int.701020 bia * Choose the required length in mt.	
15	2558270			
16	QALT001			
17	QELT28A			
18	0022017		vite tcei m6x20 u5931 cl8.8 zincata	

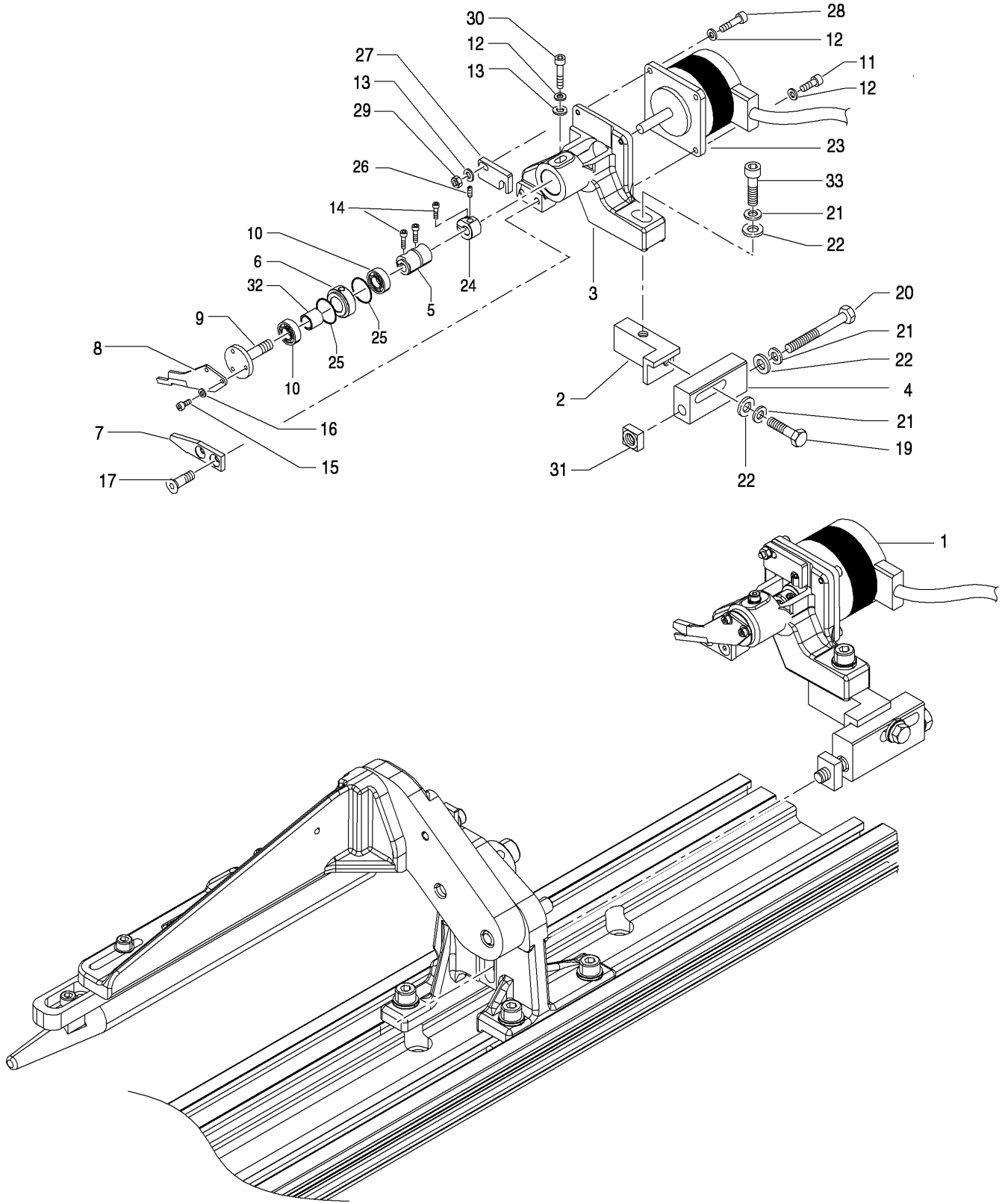
A9500	LH. CUTTER ELECTRONIC SYSTEM WITH WEFT STOPPING	ZA050-00
	Valid lots from to	01/09/2012



A9500	LH. CUTTER ELECTRONIC SYSTEM WITH WEFT STOPPING	ZA050-00
	Valid lots from to	01/09/2012

Pos.	Code	Widths	Remarks	Lots
1	QALT011			
2	HDD011A			
3	FKS070A			
4	A1E1E6A			
5	FKS091B			
6	QELT000			
7	QALT09A			
8	QALT10A			
9	QELT045			
10	0383013		anello tenuta or2062 15,60x1,78	
11	QELT011			
12	VV19023		grano m5x12 uni5923 cl.45h zincata	
13	0041005		vite tspei m5x16 u5933c10.9 zincata	
14	VM11002		molla tazza din.2093 8x 3,2x 0,4	
15	0003009		vite te m8x90 uni5737 cl8.8 zincata	
16	0020013		vite tcei m3x6-12.9 iso4762 brunita	
17	0020000		vite tcei m3x10-12.9 iso4762 brunita	
18	VV16015		vite tcei m4x12 iso4762 cl8.8 zincata	
19	VR14030		rondella bisel.din 1440 d.4,3 zn.	
20	0021061		vite tcei m4x10-12.9 iso4762 brunita	
21	VM11004		molla tazza din.2093 8x 4,2x 0,4	
22	QELT13A			
23	ECS0101		cuscin.607-2rs rad.rig.sf.7x19x6	
24	QELT001			
25	0021063		vite tcei m4x20-12.9 iso4762 brunita	
26	VD13007		dado esag. m 4 uni5588 cl.8 zincato	
27	QELT01A			
28	0003002		vite te m8x30 uni5737 cl8.8 zincata	
29	VM11022		molla a tazza din.2093 15x8.2x0.7	
30	VR14080		rond.bisell.din 1440 d.8,4 zn	
31	QELT03A			
32	QEKG18A			
33	VR14055		rond.bisell.din 1440 d.6.4 zn	
34	VM11016		molla tazza din.2093 12,5x 6,2x 0,5	
35	0022017		vite tcei m6x20 u5931 cl8.8 zincata	
36	QAKG000			
37	VV16216		vite tcei m8x30-12.9 iso4762 brunita	

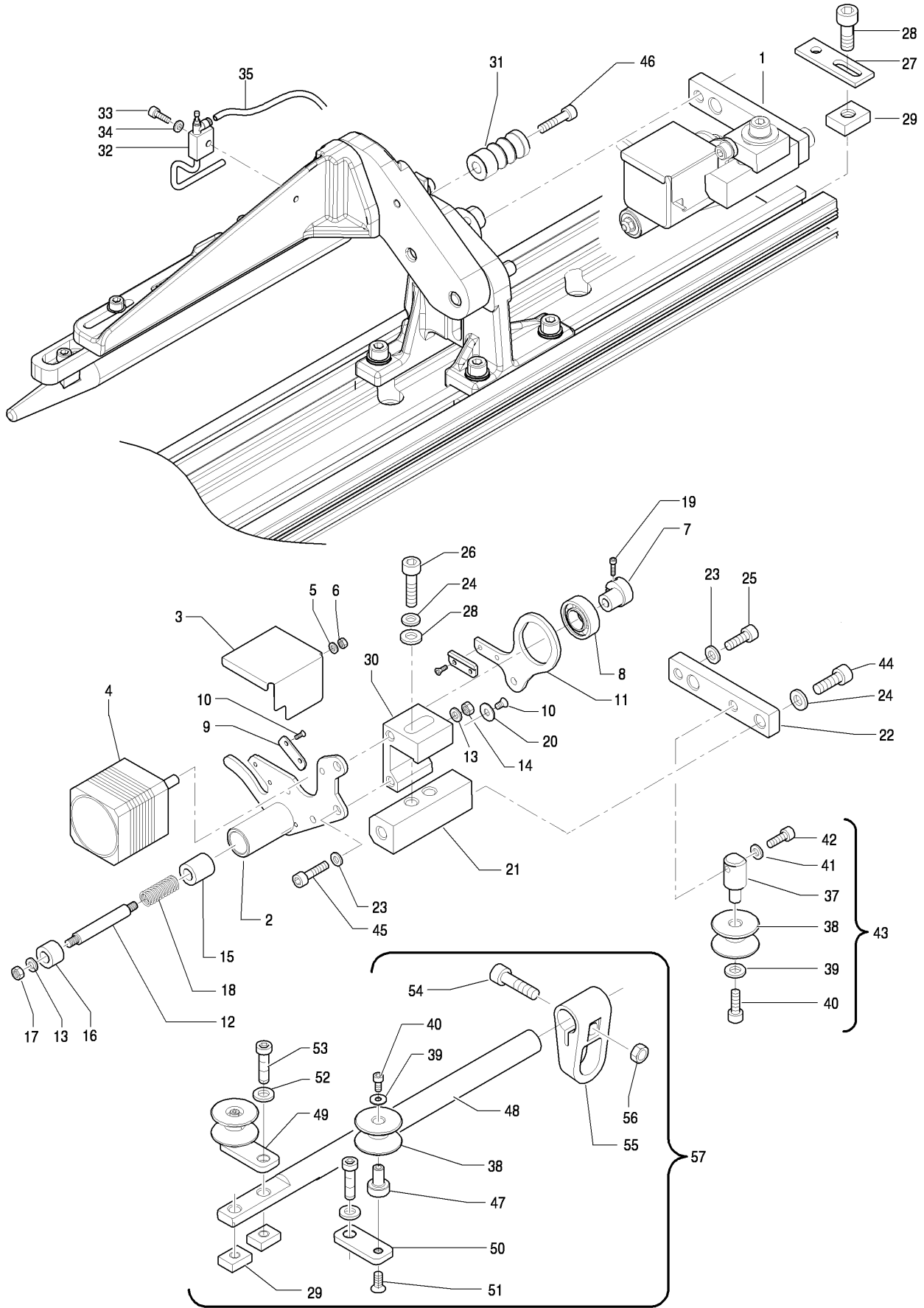
A9500	RH. CUTTER ELECTRONIC SYSTEM	ZA052-00
	Valid lots from to	01/09/2012



A9500	RH. CUTTER ELECTRONIC SYSTEM		ZA052-00
	Valid lots from to		01/09/2012

Pos.	Code	Widths	Remarks	Lots
1	QALT012			
2	QELT03A			
3	QELT013			
4	QELT01A			
5	FKS091B			
6	QELT000			
7	QELT014			
8	QALT026			
9	FKS070A			
10	ECS0101		cuscin.607-2rs rad.rig.sf.7x19x6	
11	VV16015		vite tcei m4x12 iso4762 cl8.8 zincata	
12	VM11004		molla tazza din.2093 8x 4,2x 0,4	
13	VR14030		rondella bisel.din 1440 d.4,3 zn.	
14	0020000		vite tcei m3x10-12.9 iso4762 brunita	
15	0020013		vite tcei m3x6-12.9 iso4762 brunita	
16	VM11002		molla tazza din.2093 8x 3,2x 0,4	
17	VV18016		vite tspei m5x12 uni5933 cl10.9 zincata	
19	0003002		vite te m8x30 uni5737 cl8.8 zincata	
20	0003009		vite te m8x90 uni5737 cl8.8 zincata	
21	VM11022		molla a tazza din.2093 15x8.2x0.7	
22	VR14080		rond.bisell.din 1440 d.8,4 zn	
23	A1E1E6A			
24	QELT045			
25	0383013		anello tenuta or2062 15,60x1,78	
26	VV19023		grano m5x12 uni5923 cl.45h zincata	
27	QELT011			
28	0021063		vite tcei m4x20-12.9 iso4762 brunita	
29	VD13007		dado esag. m 4 uni5588 cl.8 zincato	
30	0021061		vite tcei m4x10-12.9 iso4762 brunita	
31	HDD011A			
32	QELT001			
33	VV16216		vite tcei m8x30-12.9 iso4762 brunita	

A9500	RIGHT LATERAL ELECTRICAL CUTTER FOR FALSE SELVEDGE	ZA054-00
	Valid lots from to	01/09/2012



A9500	RIGHT LATERAL ELECTRICAL CUTTER FOR FALSE SELVEDGE	ZA054-00
	Valid lots from to	01/09/2012

Pos.	Code	Widths	Remarks	Lots
1	QALT018			
2	QALT016			
3	2780184			
4	EEM5Z90			
5	VM11002		molla tazza din.2093 8x 3,2x 0,4	
6	VD10002		dado esagonale alto uni 5587 m 3 zn.	
7	FKS096B			
8	ECS0300		cusc.rad.a sfere 6000-2rs	
9	HLT062A			
10	VV22008		vite tsp m3x5 uni6109 c4.8 zincata	
11	FKS095A			
12	ELT013B			
13	VM11009		molla tazza din.2093 10x 5,2x 0,5	
14	VD13010		dado esag. m 5 uni5588 cl.8 zincato	
15	HLT010A			
16	HLT011A			
17	VD14003		dado es.autoblocc.din.985 m 5 zn.	
18	HLT025A			
19	VV16015		vite tcei m4x12 iso4762 cl8.8 zincata	
20	VR18105		rondel.spec.din.9021 de.12x4,3x1 zn.	
21	2160346			
22	QELT027			
23	VM11016		molla tazza din.2093 12,5x 6,2x 0,5	
24	VM11022		molla a tazza din.2093 15x8.2x0.7	
25	0022007		vite tcei m6x25 u5931 cl8.8 zincata	
26	0023006		vite tcei m8x30 u5931 cl8.8 zincata	
27	EDY121A			
28	0023003		vite tcei m8x16 u5931 cl8.8 zincata	
29	HDD011A			
30	QELT031			
31	QELT017		Detail not valid with suction device for waste selvedge	
32	QALT04A			
33	VV16032		vite tcei m5x16 uni5931 cl8.8 zincata	
34	VM11009		molla tazza din.2093 10x 5,2x 0,5	
35	GPE1720		Choose the required length in mt.	
37	QELT28A			
38	QELT22A			
39	VR18105		rondel.spec.din.9021 de.12x4,3x1 zn.	
40	0021002		vite tcei m4x8 u5931 cl8.8 zincata	
41	VM11016		molla tazza din.2093 12,5x 6,2x 0,5	
42	0022007		vite tcei m6x25 u5931 cl8.8 zincata	
43	QALT008			
44	0023005		vite tcei m8x25 u5931 cl8.8 zincata	
45	0022004		vite tcei m6x16 u5931 cl8.8 zincata	
46	VV16052		vite tcei m6x20 uni5931 cl8.8 zincata	
47	QELT23A			
48	QELT26A			
49	QALT15A			
50	QELT24A			
51	VV18016		vite tspei m5x12 uni5933 cl10.9 zincata	
52	VM11025		molla tazza din.2093 16x 8,2x 0,9	
53	0023063		vite tcei m8x25-12.9 iso4762 brunita	
54	VV21053		vite tcci din.84 m 5x20 cl.4,8 brunita	
55	2558094			
56	VD13010		dado esag. m 5 uni5588 cl.8 zincato	

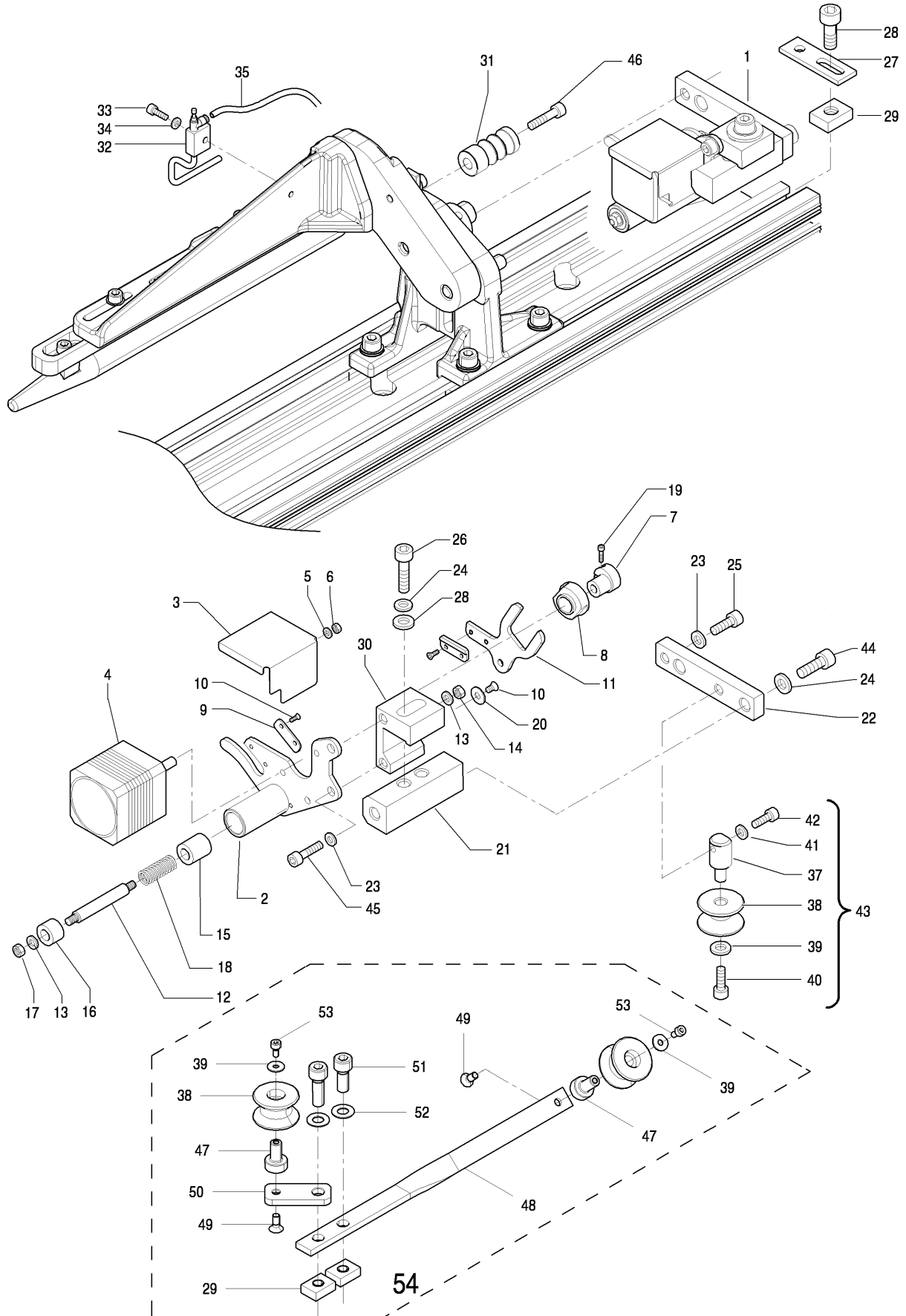
A9500	RIGHT LATERAL ELECTRICAL CUTTER FOR FALSE SELVEDGE		ZA054-00
	Valid lots from to		01/09/2012

Pos.	Code	Widths	Remarks	Lots
------	------	--------	---------	------

57 QALT17A

A9500		
-------	--	--

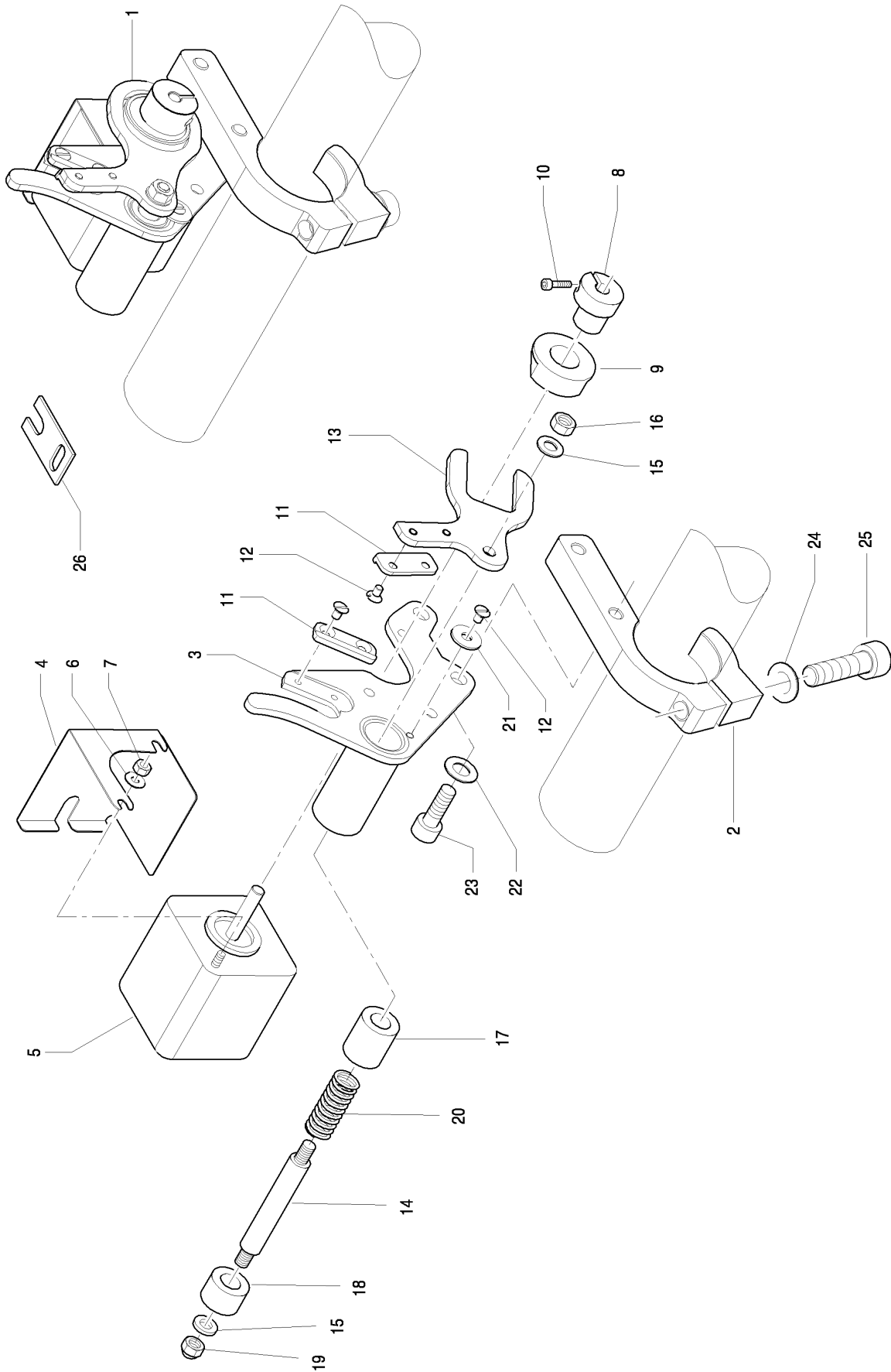
A9500	RIGHT LATERAL ELECTRICAL CUTTER FOR FALSE SELVEDGE	ZA054-01
	Valid lots from to	01/10/2015



A9500	RIGHT LATERAL ELECTRICAL CUTTER FOR FALSE SELVEDGE	ZA054-01
	Valid lots from to	01/10/2015

Pos.	Code	Widths	Remarks	Lots
1	QALT018			
2	QALT016			
3	2780184			
4	EEM5Z90			
5	VM11002		molla tazza din.2093 8x 3,2x 0,4	
6	VD10002		dado esagonale alto uni 5587 m 3 zn.	
7	FKS096B			
8	QELT034			
9	HLT062A			
10	VV22008		vite tsp m3x5 uni6109 c4.8 zincata	
11	QELT032			
12	ELT013B			
13	VM11009		molla tazza din.2093 10x 5,2x 0,5	
14	VD13010		dado esag. m 5 uni5588 cl.8 zincato	
15	HLT010A			
16	HLT011A			
17	VD14003		dado es.autoblocc.din.985 m 5 zn.	
18	HLT025A			
19	VV16015		vite tcei m4x12 iso4762 cl8.8 zincata	
20	VR18105		rondel.spec.din.9021 de.12x4,3x1 zn.	
21	2160346			
22	QELT027			
23	VM11016		molla tazza din.2093 12,5x 6,2x 0,5	
24	VM11022		molla a tazza din.2093 15x8.2x0.7	
25	0022007		vite tcei m6x25 u5931 cl8.8 zincata	
26	0023006		vite tcei m8x30 u5931 cl8.8 zincata	
27	EDY121A			
28	0023003		vite tcei m8x16 u5931 cl8.8 zincata	
29	HDD011A			
30	QELT031			
31	QELT017		Detail not valid with suction device for waste selvedge	
32	QALT04A			
33	VV16032		vite tcei m5x16 uni5931 cl8.8 zincata	
34	VM11009		molla tazza din.2093 10x 5,2x 0,5	
35	2148859		Choose the required length in mt.	
37	QELT28A			
38	QELT22A			
39	VR18105		rondel.spec.din.9021 de.12x4,3x1 zn.	
40	0021002		vite tcei m4x8 u5931 cl8.8 zincata	
41	VM11016		molla tazza din.2093 12,5x 6,2x 0,5	
42	0022007		vite tcei m6x25 u5931 cl8.8 zincata	
43	QALT008			
44	0023005		vite tcei m8x25 u5931 cl8.8 zincata	
45	0022004		vite tcei m6x16 u5931 cl8.8 zincata	
46	VV16052		vite tcei m6x20 uni5931 cl8.8 zincata	
47	QELT23A			
48	131170055			
49	0041044		vite tspei m5x12 uni5933 cl10.9 zincata	
50	QELT24A			
51	110023075			
52	VM11025		molla tazza din.2093 16x 8,2x 0,9	
53	110021103			
54	191170032			

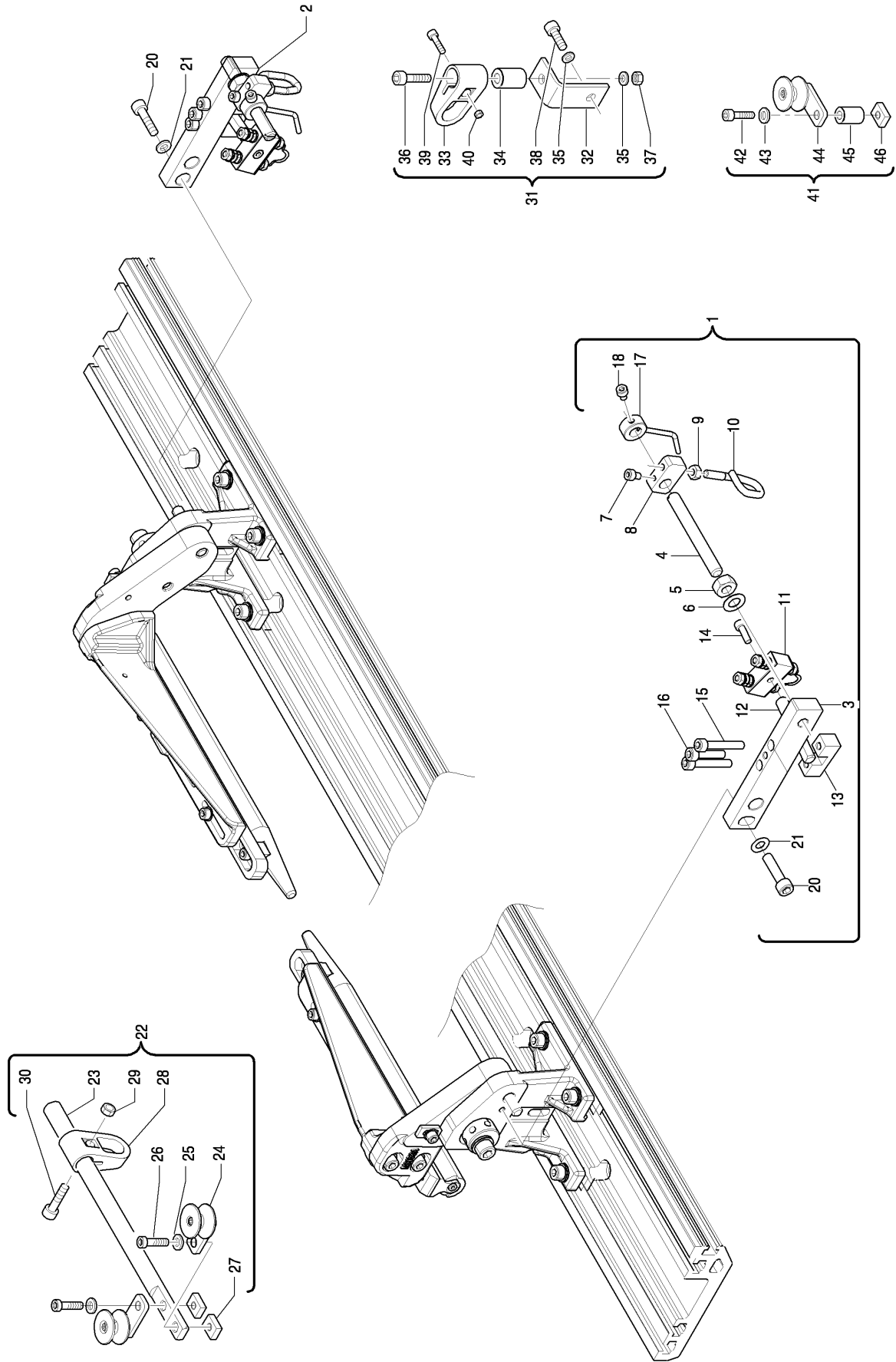
A9500	CENTRAL ELECTRICAL CUTTER FOR FALSE SELVEDGE	ZA056-00
	Valid lots from to	01/10/2015



A9500	CENTRAL ELECTRICAL CUTTER FOR FALSE SELVEDGE		ZA056-00
	Valid lots from to		01/10/2015

Pos.	Code	Widths	Remarks	Lots
1	QALT028			
2	QELT046			
3	2580067			
4	2780186			
5	EEM5Z90			
6	VM11002		molla tazza din.2093 8x 3,2x 0,4	
7	VD10002		dado esagonale alto uni 5587 m 3 zn.	
8	FKS096B			
9	QELT034			
10	VV16015		vite tcei m4x12 iso4762 cl8.8 zincata	
11	HLT062A			
12	VV22008		vite tsp m3x5 uni6109 c4.8 zincata	
13	QELT032			
14	ELT013B			
15	VM11009		molla tazza din.2093 10x 5,2x 0,5	
16	VD13010		dado esag. m 5 uni5588 cl.8 zincato	
17	HLT010A			
18	HLT011A			
19	VD14003		dado es.autoblocc.din.985 m 5 zn.	
20	HLT025A			
21	VR18105		rondel.spec.din.9021 de.12x4,3x1 zn.	
22	VM11016		molla tazza din.2093 12,5x 6,2x 0,5	
23	0022004		vite tcei m6x16 u5931 cl8.8 zincata	
24	VM11022		molla a tazza din.2093 15x8.2x0.7	
25	VV16216		vite tcei m8x30-12.9 iso4762 brunita	
26	ED5015A			

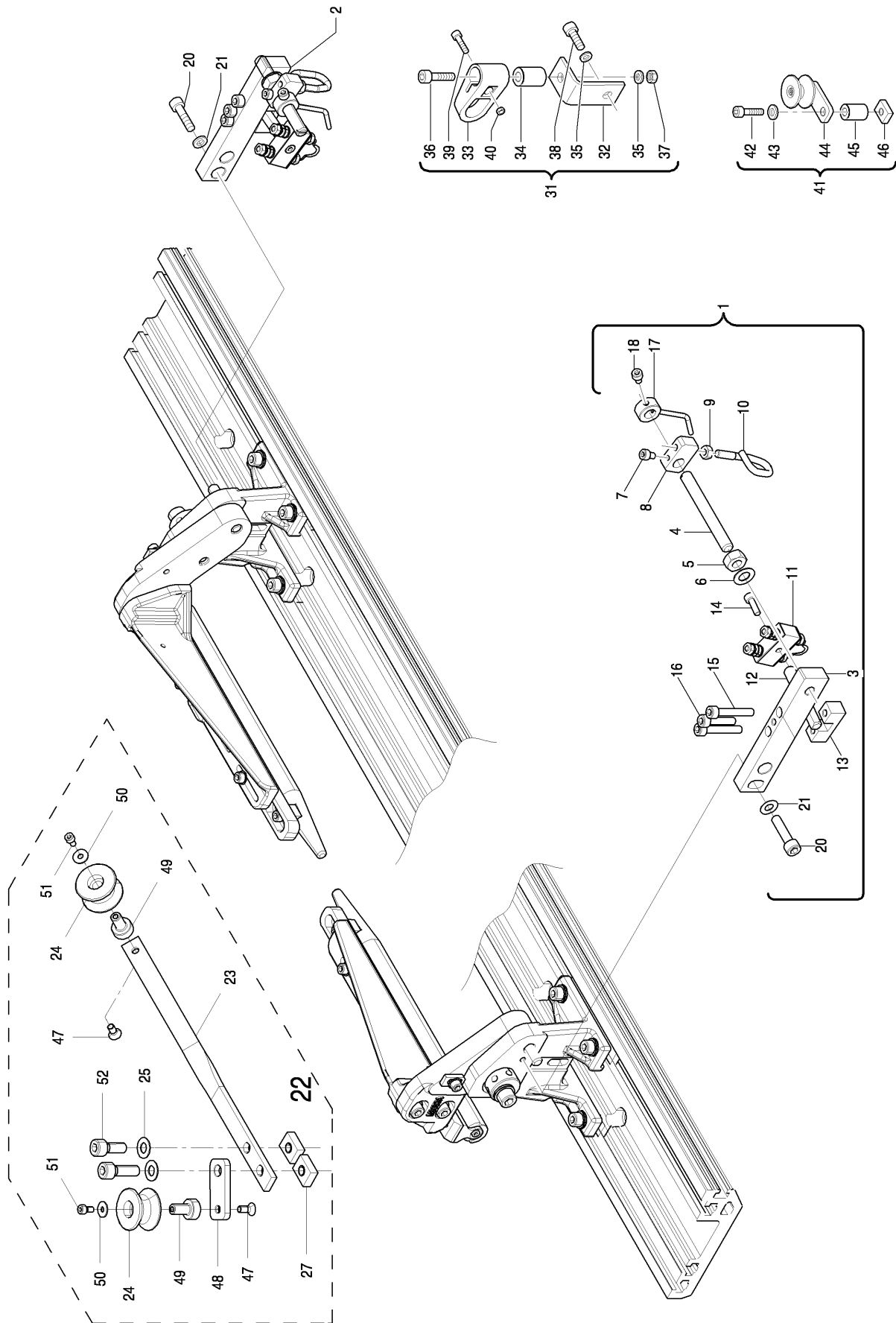
A9500	LATERAL THERMIC CUTTERS		ZA060-00
	Valid lots from to		16/06/2016



A9500	LATERAL THERMIC CUTTERS		ZA060-00
	Valid lots from to		16/06/2016

Pos.	Code	Widths	Remarks	Lots
1	QAR6002			
2	QAR6001			
3	QER6000			
4	QER601A			
5	VD13018		dado esag. m 8 uni5588 cl.8 zincato	
6	VM11022		molla a tazza din.2093 15x8.2x0.7	
7	VV16012		vite tcei m4x6 uni5931 cl8.8 zincata	
8	QER606A			
9	VD13010		dado esag. m 5 uni5588 cl.8 zincato	
10	QESH01A			
11	QAR6000			
12	QER6002			
13	QER6001			
14	VV16015		vite tcei m4x12 iso4762 cl8.8 zincata	
15	0021074		vite tcei m5x30 u5931 cl12.9 bru	
16	0021099		vite tcei m5x22 uni5931 cl12.9 brunita	
17	FQC005A			
18	VV16012		vite tcei m4x6 uni5931 cl8.8 zincata	
20	0022019		vite tcei m6x25-12.9 iso4762 brunita	
21	VM11016		molla tazza din.2093 12,5x 6,2x 0,5	
22	QALT17A			
23	QELT26A			
24	QALT15A			
25	VM11025		molla tazza din.2093 16x 8,2x 0,9	
26	0023063		vite tcei m8x25-12.9 iso4762 brunita	
27	HDD011A			
28	2558094			
29	VD13010		dado esag. m 5 uni5588 cl.8 zincato	
30	VV21053		vite tcci din.84 m 5x20 cl.4,8 brunita	
31	QALT020			
32	QELT025			
33	2558094			
34	QELT022			
35	VM11024		molla a tazza d.16x8.2x0.6 din 2093	
36	VV16076		vite tcei m8x40 iso4762 cl10.9 brunita	
37	VD13018		dado esag. m 8 uni5588 cl.8 zincato	
38	0023003		vite tcei m8x16 u5931 cl8.8 zincata	
39	0021014		vite tcei m5x20 u5931 cl8.8 zincata	
40	VD13010		dado esag. m 5 uni5588 cl.8 zincato	
41	QALT019			
42	0023009		vite tcei m8x45 u5931 cl8.8 zincata	
43	VM11024		molla a tazza d.16x8.2x0.6 din 2093	
44	QALT15A			
45	QELT022			
46	HDD011A			

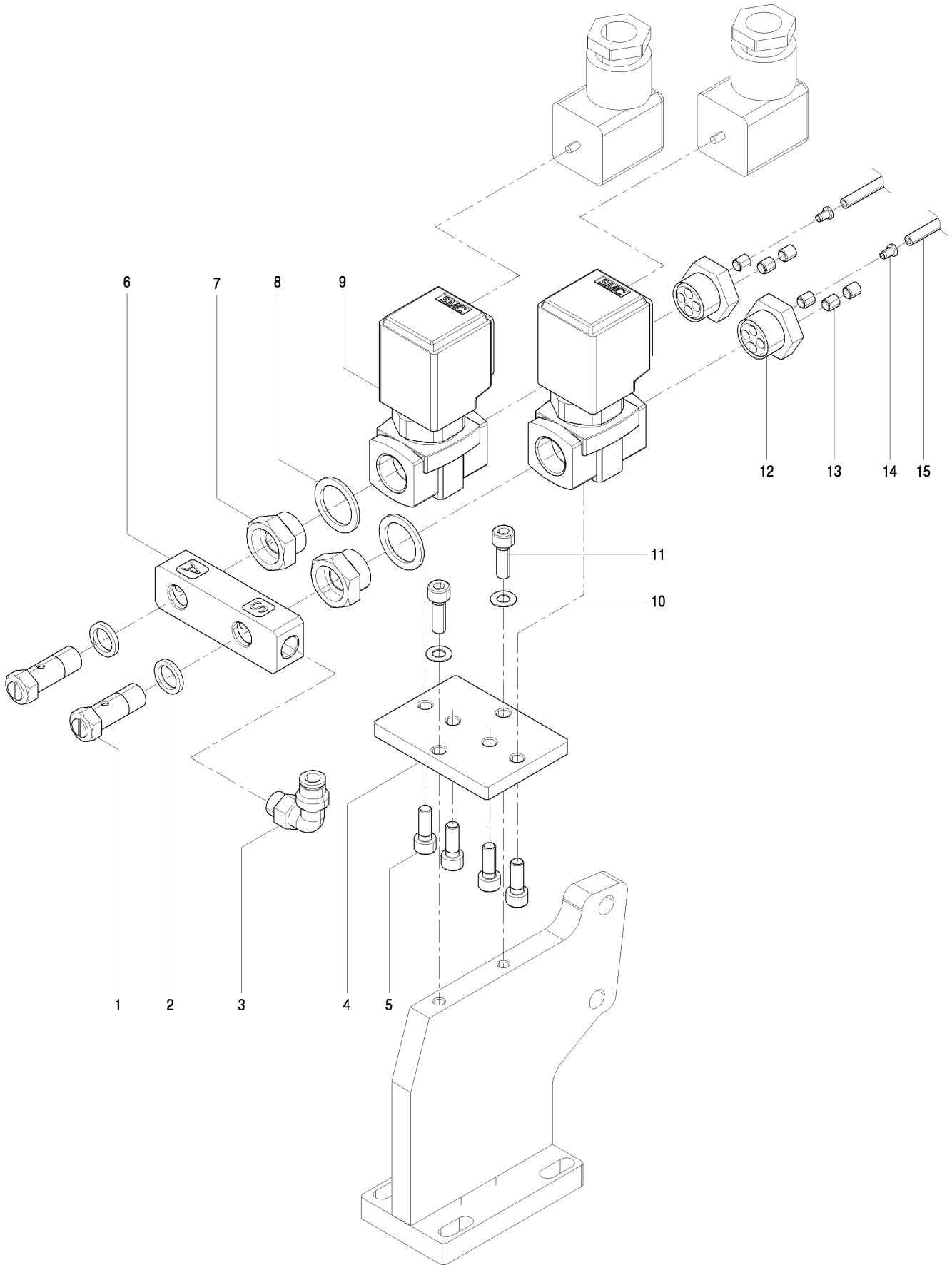
A9500	LATERAL THERMIC CUTTERS	ZA060-01
	Valid lots from to	16/06/2016



A9500	LATERAL THERMIC CUTTERS		ZA060-01
	Valid lots from to		16/06/2016

Pos.	Code	Widths	Remarks	Lots
1	QAR6002			
2	QAR6001			
3	QER6000			
4	QER601A			
5	VD13018		dado esag. m 8 uni5588 cl.8 zincato	
6	VM11022		molla a tazza din.2093 15x8.2x0.7	
7	VV16012		vite tcei m4x6 uni5931 cl8.8 zincata	
8	QER606A			
9	VD13010		dado esag. m 5 uni5588 cl.8 zincato	
10	QESH01A			
11	QAR6000			
12	QER6002			
13	QER6001			
14	VV16015		vite tcei m4x12 iso4762 cl8.8 zincata	
15	0021074		vite tcei m5x30 u5931 cl12.9 bru	
16	0021099		vite tcei m5x22 uni5931 cl12.9 brunita	
17	FQC005A			
18	VV16012		vite tcei m4x6 uni5931 cl8.8 zincata	
20	0022019		vite tcei m6x25-12.9 iso4762 brunita	
21	VM11016		molla tazza din.2093 12,5x 6,2x 0,5	
22	191170032			
23	131170055			
24	QELT22A			
25	VM11025		molla tazza din.2093 16x 8,2x 0,9	
27	HDD011A			
31	QALT020			
32	QELT025			
33	2558094			
34	QELT022			
35	VM11024		molla a tazza d.16x8.2x0.6 din 2093	
36	VV16076		vite tcei m8x40 iso4762 cl10.9 brunita	
37	VD13018		dado esag. m 8 uni5588 cl.8 zincato	
38	0023003		vite tcei m8x16 u5931 cl8.8 zincata	
39	0021014		vite tcei m5x20 u5931 cl8.8 zincata	
40	VD13010		dado esag. m 5 uni5588 cl.8 zincato	
41	QALT019			
42	0023009		vite tcei m8x45 u5931 cl8.8 zincata	
43	VM11024		molla a tazza d.16x8.2x0.6 din 2093	
44	QALT15A			
45	QELT022			
46	HDD011A			
47	0041044		vite tspei m5x12 uni5933 cl10.9 zincata	
48	QELT24A			
49	QELT23A			
50	VR18105		rondel.spec.din.9021 de.12x4,3x1 zn.	
51	110021103			
52	110023075			

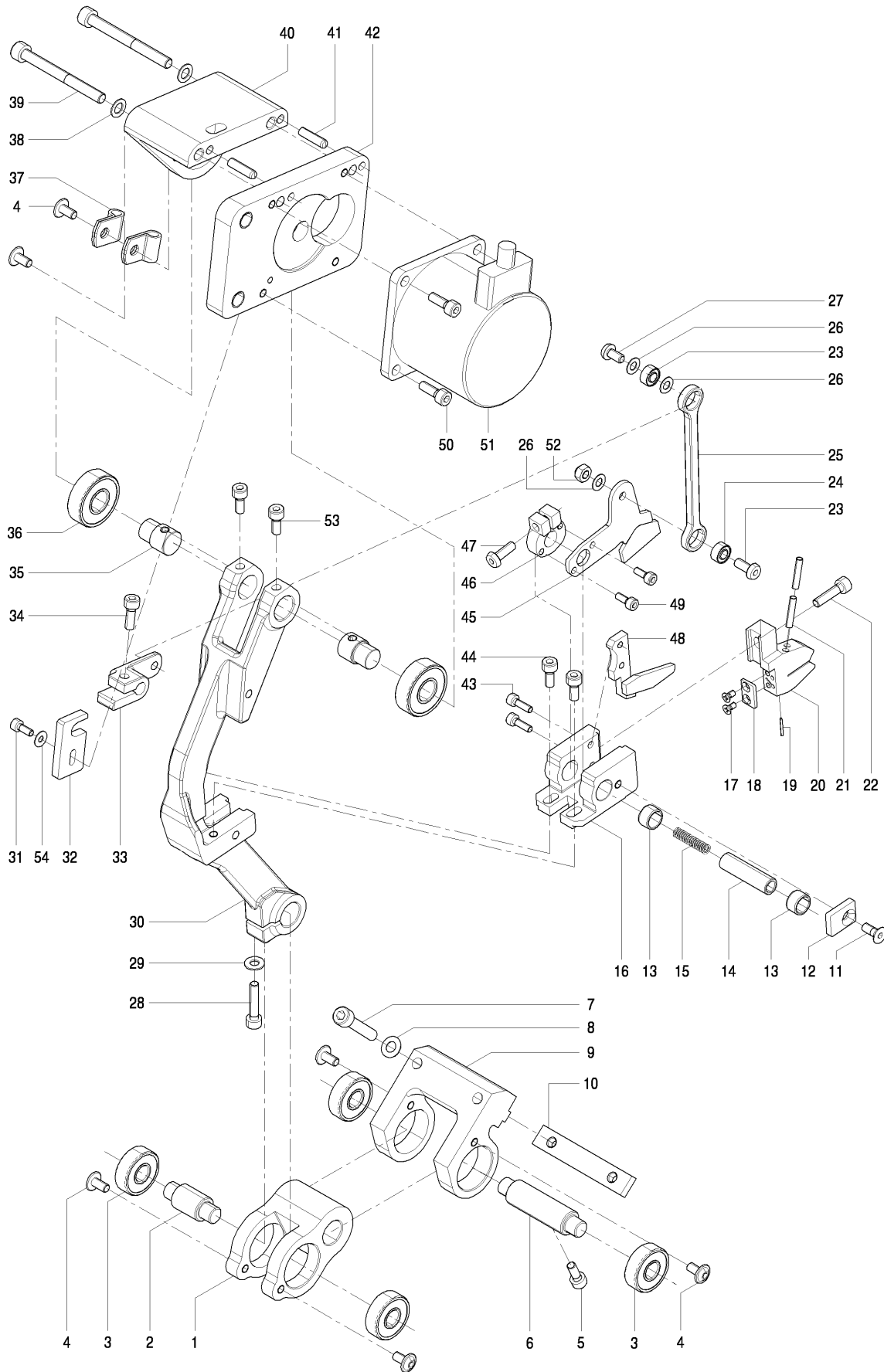
A9500	R.H. OSCILLATING PNEUMATIC TUCK - IN DEVICE ETV	ZA061-00
	Valid lots from to	14/06/2017



A9500	R.H. OSCILLATING PNEUMATIC TUCK - IN DEVICE ETV	ZA061-00
	Valid lots from to	14/06/2017

Pos.	Code	Widths	Remarks	Lots
1	CPNR709			
2	CPNG113			
3	CPNR100			
4	QEKZ060			
5	VV16223		vite tcei m5x14 uni5931 cl12.9 brunita	
6	QER2095			
7	QER2094			
8	0157007		rondella in rame 17x23x1.5	
9	0488043		elettrovalvola smc art. avj3220-5d-03-x133	
10	0141002		molla a tazza 10x5,2x0,5 din2093	
11	110021114			
12	FH3003B			
13	VV19020		grano m5x6 uni5923 cl.45h zincata	
14	FH3004A			
15	GPE1720			

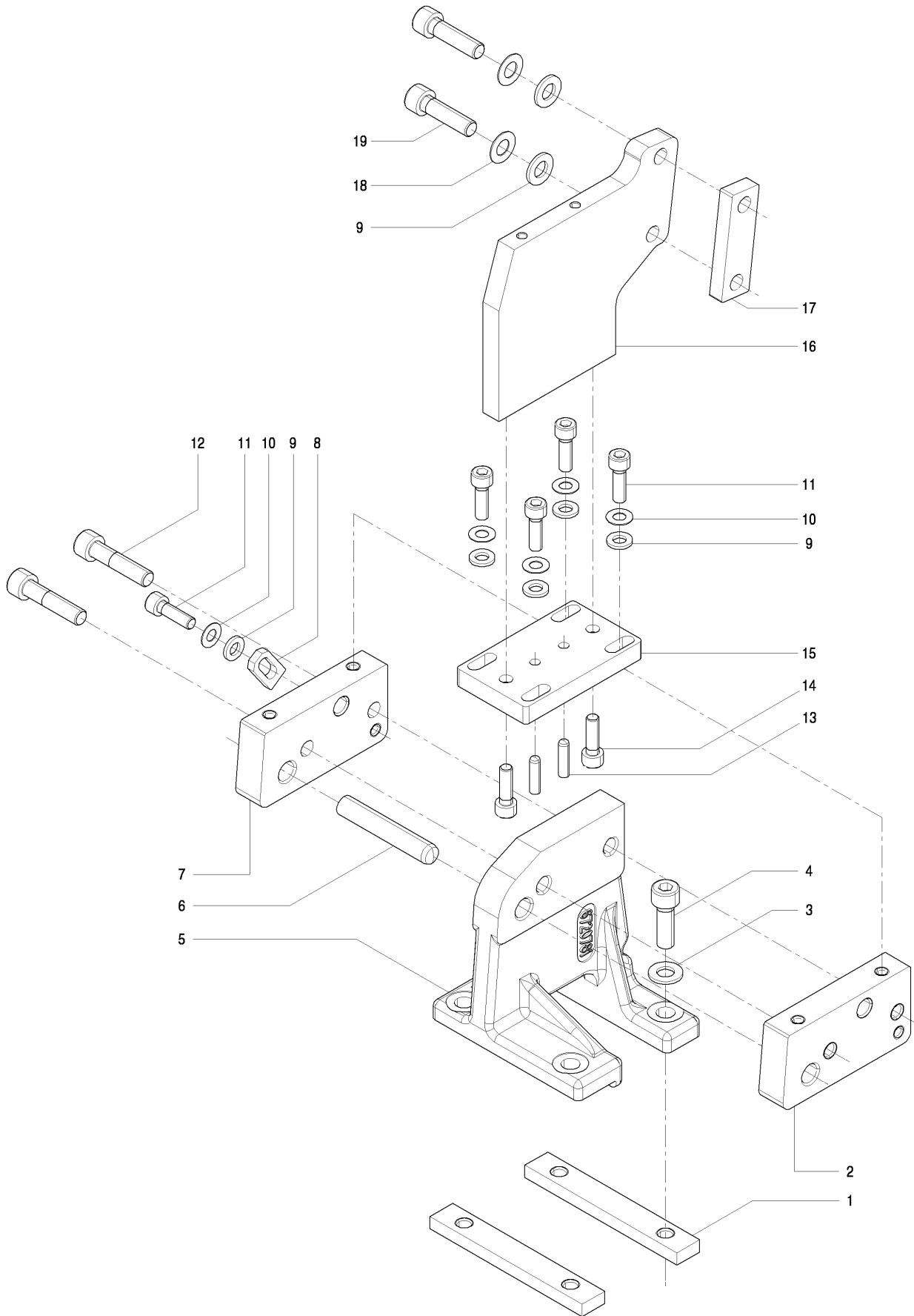
A9500	R.H. OSCILLATING PNEUMATIC TUCK - IN DEVICE	ZA062-00
	Valid lots from to	13/06/2017



A9500	R.H. OSCILLATING PNEUMATIC TUCK - IN DEVICE		ZA062-00
	Valid lots from to		13/06/2017

Pos.	Code	Widths	Remarks	Lots
1	131170155			
2	131170156			
3	0301003		cuscinetto nsk 608-2rs 8x22x7	
4	0023066		vite tcbei con flang.m4x8 cl.10.9 brunita	
5	110021104			
6	131170154			
7	110021116			
8	0141002		molla a tazza 10x5,2x0,5 din2093	
9	131170153			
10	131170152			
11	0041002		vite tspei m4x10 u5933c10.9 zincata	
12	131170195			
13	110311009			
14	131170174			
15	0469001		molla a compressione tipo dim-cod.d11440	
16	131170173			
17	0040030		vite tsp m2,5x5 u7688 c4.8 brunita	
18	131170196			
19	VS10211		spina cilin.tem.din.6325 1 m6 x 10	
20	131170176			
21	2833003			
22	110021106			
23	VV18507		vite tbei m4x10-8.8 iso7380 zincata	
24	ECS0164		cus.c.rad.a sfere 684-2z (4x9x4)	
25	131170166			
26	VM11004		molla tazza din.2093 8x 4,2x 0,4	
27	VV18506		vite tbei m4x8-8.8 iso7380 zincata	
28	110021107			
29	0121001		rond.piana d=4,3 uni6592 zincata	
30	131170157			
31	110020032			
32	131170165			
33	131170163			
34	0021062		vite tcei m4x12-12.9 iso4762 brunita	
35	131170158			
36	ECS0300		cus.c.rad.a sfere 6000-2rs	
37	C9C1238			
38	0141014		rond.di sic.zig.schnorr"s" 5.3x9x0.6 brunita	
39	0021081		vite tcei m5x50-12.9 iso4762 brunita	
40	131170159			
41	VS10252		spina uni iso 8734 - 4x16 - a-st	
42	131170160			
43	110020033			
44	VV17002		vite tcbei m4x10 u9327 c8.8 zincata	
45	131170169			
46	131170175			
47	VV18509		vite tbei m4x12-10.9 iso7380 zincata	
48	131170172			
49	110020032			
50	0021039		vite tcei m4x12-8.8 iso4762 brunita	
51	120891089			
52	VD14002		dado es.autoblocc.din.985 m 4 zn.	
53	110021104			
54	VM11002		molla tazza din.2093 8x 3,2x 0,4	

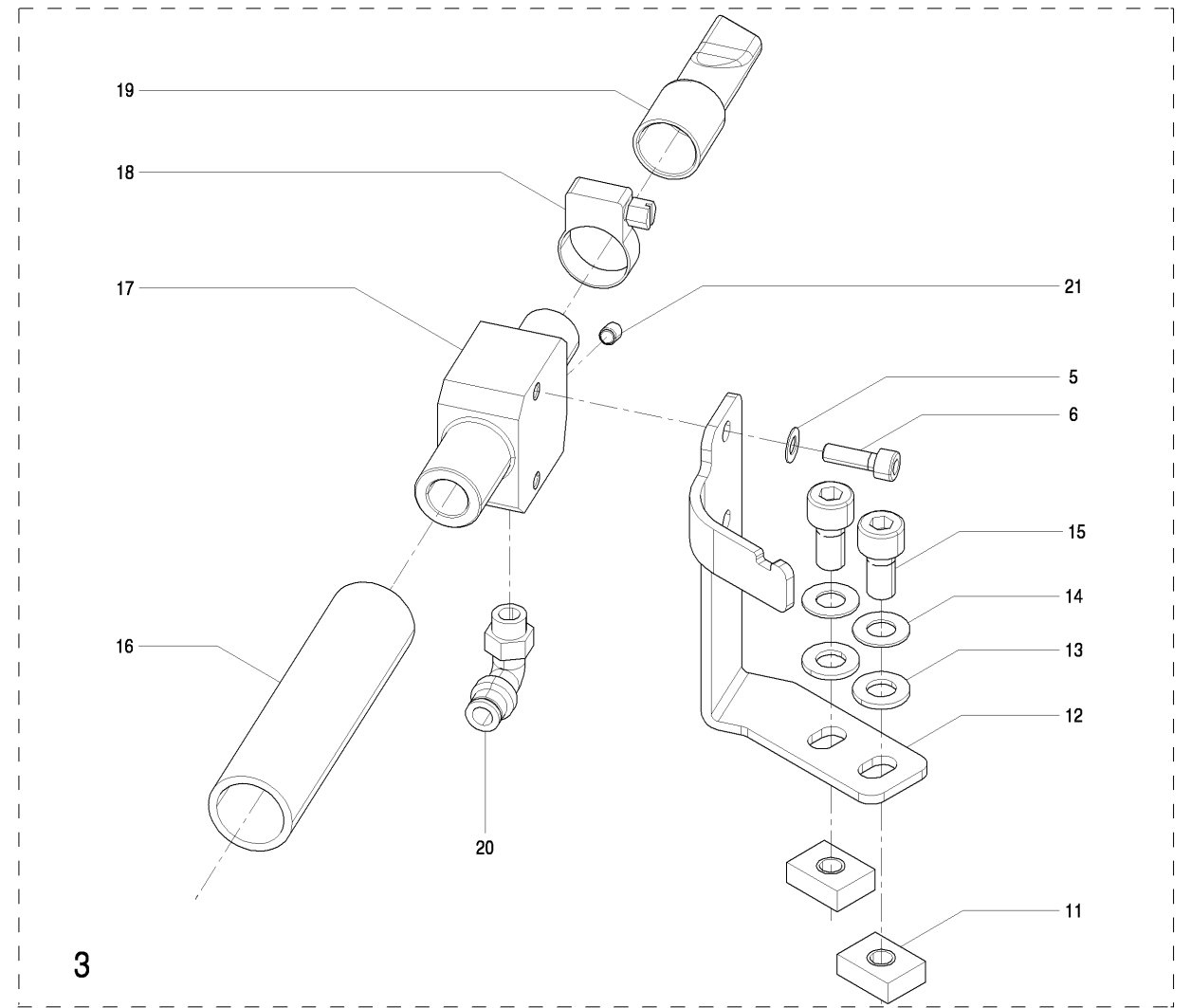
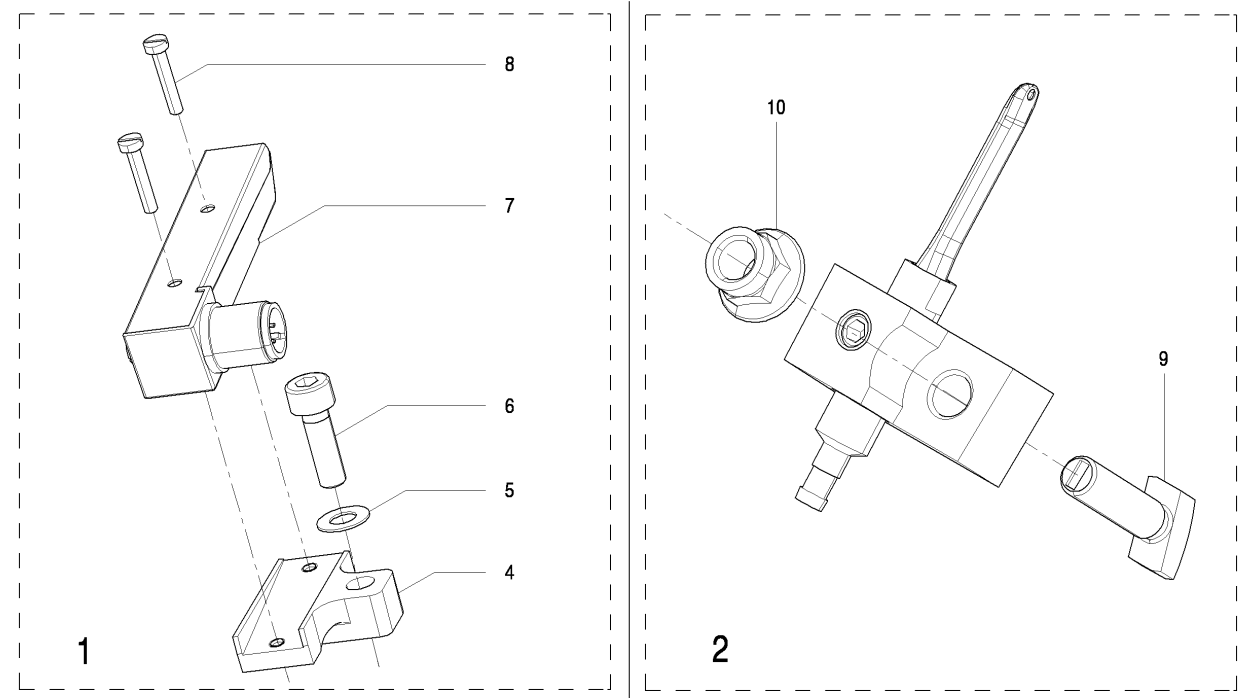
A9500	R.H. OSCILLATING PNEUMATIC TUCK - IN DEVICE SUPPORT	ZA063-00
	Valid lots from to	13/06/2017



A9500	R.H. OSCILLATING PNEUMATIC TUCK - IN DEVICE SUPPORT	ZA063-00
	Valid lots from to	13/06/2017

Pos.	Code	Widths	Remarks	Lots
1	QELU14A			
2	QEKZ054			
3	0123001		rond.piana d=8,4 uni6592 zincata	
4	0023063		vite tcei m8x25-12.9 iso4762 brunita	
5	QEKZ055			
6	VS10305		spina cilin.tem.din.6325 10 m6 x 60	
7	QEKZ053			
8	LELU06A			
9	0122001		rond.piana d=6,4 uni6592 zincata	
10	VM11016		molla tazza din.2093 12,5x 6,2x 0,5	
11	VV16353		vite tcei m6x20-12.9 iso4762 brunita	
12	VV16205		vite tcei m8x35-12.9 iso4762 brunita	
13	VS10263		spina cilin.tem.din.6325 5 m6 x 20	
14	0022018		vite tcei m6x20-8.8 iso4762 brunita	
15	131170162			
16	131170214			
17	131170161			
18	VM11024		molla a tazza d.16x8.2x0.6 din 2093	
19	110023077			

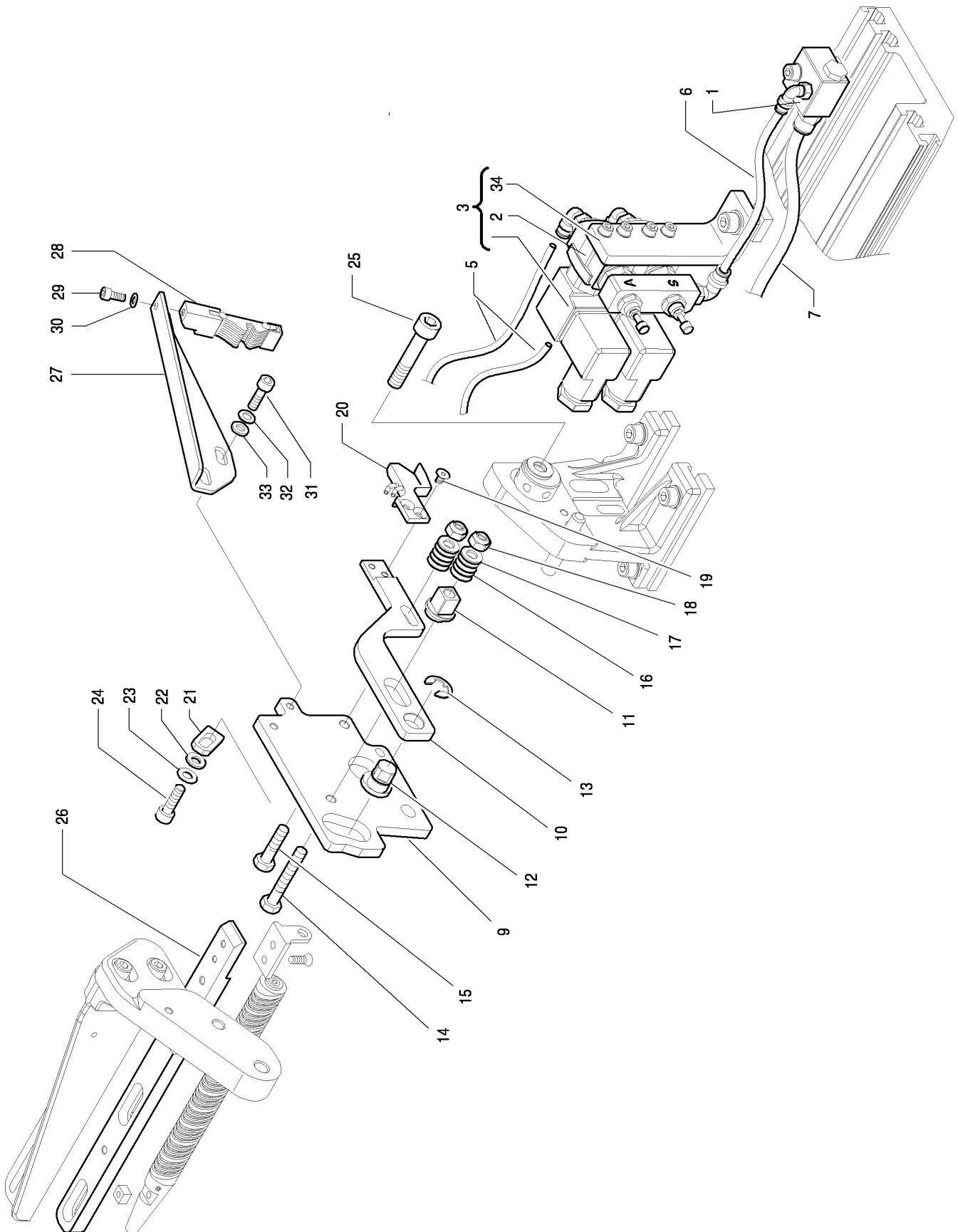
A9500	R.H. OSCILLATING PNEUMATIC TUCK - IN DEVICE FITTING	ZA064-00
	Valid lots from to	13/06/2017



A9500	R.H. OSCILLATING PNEUMATIC TUCK - IN DEVICE FITTING	ZA064-00
	Valid lots from to	13/06/2017

Pos.	Code	Widths	Remarks	Lots
1	191180019			
2	191150109			
3	191170100			
4	131180093			
5	0141002		molla a tazza 10x5,2x0,5 din2093	
6	110021114			
7	CEX2000			
8	VV21102		vite tcci din.84 m2,5x14 zn.	
9	2110966			
10	0111020		dado autofrenante m5 con flangia liscia u.en1663	
11	HDD011A			
12	131170201			
13	0123001		rond.piana d=8,4 uni6592 zincata	
14	VM11025		molla tazza din.2093 16x 8,2x 0,9	
15	110023074			
16	0824057		guaina cavoflex d=20 int.701020 bia	
17	QER2064			
18	0825099		fascetta hufirma bpf hf6016 12-22-8	
19	131170200			
20	CPNR100			
21	0031005		grano m5x6 uni5923 cl.45h brunito	

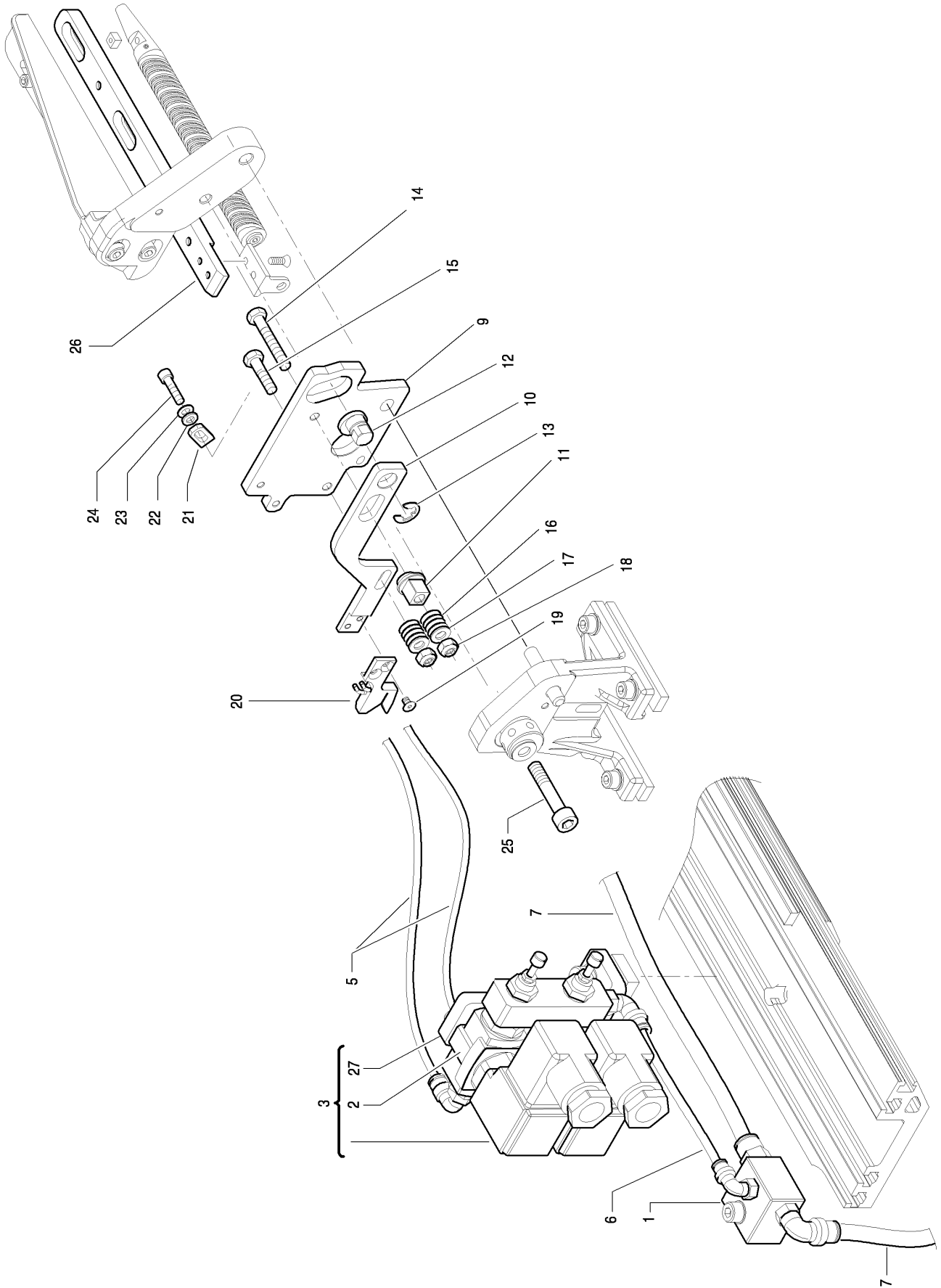
A9500	R.H. PNEUMATIC TUCK - IN DEVICE	ZA065-00
	Valid lots from to	16/10/2015



A9500	R.H. PNEUMATIC TUCK - IN DEVICE		ZA065-00
	Valid lots from to		16/10/2015

Pos.	Code	Widths	Remarks	Lots
1	QAKZ015			
2	0488043		elettrovalvola smc art. avj3220-5d-03-x133	
3	191170040			
5	GPE1720		Choose the required length in mt.	
6	GPE1721		Choose the required length in mt.	
7	GPE1723		Choose the required length in mt.	
8	QAKZ021			
9	QEKZ037			
10	QEKZ035			
11	QEKZ026			
12	QEKZ033			
13	VA11113		anello d'arr.benzing din.6799 d.10	
14	0013021		vite te m8x50 uni5739 cl8.8 zincata	
15	0013020		vite te m8x30 uni5739 cl8.8 zincata	
16	VM11025		molla tazza din.2093 16x 8,2x 0,9	
17	VR14595		rondella din 125 d. 8,4 zn.	
18	0113011		dado autofrenante m8 din985-10	
19	0041000		vite tspei m5x8 u5933 cl.10.9 brunita	
20	QAKZ012			
21	LELU06A			
22	VR14055		rond.bisell.din 1440 d.6.4 zn	
23	VM11016		molla tazza din.2093 12,5x 6,2x 0,5	
24	0022017		vite tcei m6x20 u5931 cl8.8 zincata	
25	0024012		vite tcei m10x60 u5931 c8.8 zincata	
26	QEKZ034			
27	QEKZ038			
28	QAKZ013			
29	0021070		vite tcei m5x12-12.9 iso4762 brunita	
30	VM11009		molla tazza din.2093 10x 5,2x 0,5	
31	0022002		vite tcei m6x12 u5931 cl8.8 zincata	
32	VM11016		molla tazza din.2093 12,5x 6,2x 0,5	
33	VR14055		rond.bisell.din 1440 d.6.4 zn	
34	131170049			

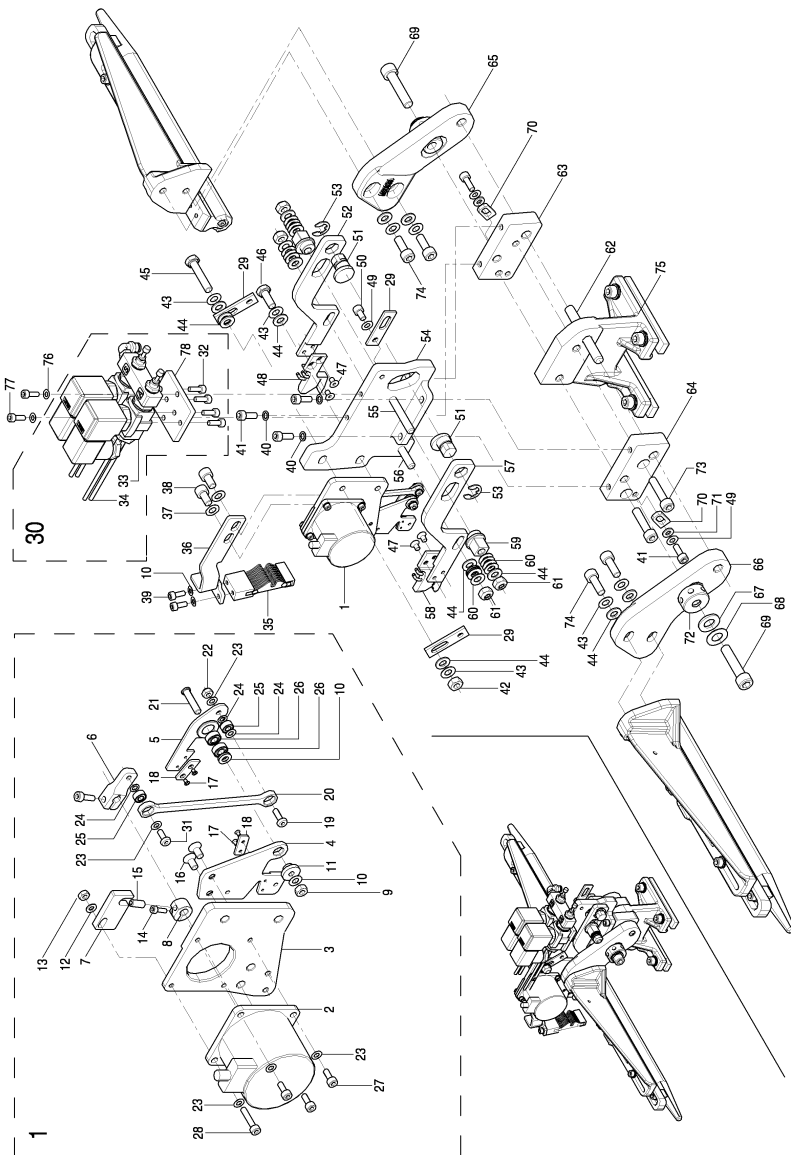
A9500	L.H. PNEUMATIC TUCK - IN DEVICE	ZA067-00
	Valid lots from to	16/10/2015



A9500	L.H. PNEUMATIC TUCK - IN DEVICE		ZA067-00
	Valid lots from to		16/10/2015

Pos.	Code	Widths	Remarks	Lots
1	QAKZ014			
2	0488043		elettrovalvola smc art. avj3220-5d-03-x133	
3	191170040			
5	GPE1720		Choose the required length in mt.	
6	GPE1721		Choose the required length in mt.	
7	GPE1723		Choose the required length in mt.	
8	QAKZ020			
9	QEKZ037			
10	QEKZ036			
11	QEKZ026			
12	QEKZ033			
13	VA11113		anello d'arr.benzing din.6799 d.10	
14	0013021		vite te m8x50 uni5739 cl8.8 zincata	
15	0013020		vite te m8x30 uni5739 cl8.8 zincata	
16	VM11025		molla tazza din.2093 16x 8,2x 0,9	
17	VR14595		rondella din 125 d. 8,4 zn.	
18	0113011		dado autofrenante m8 din985-10	
19	0041000		vite tspei m5x8 u5933 cl.10.9 brunita	
20	QAKZ011			
21	LELU06A			
22	VR14055		rond.bisell.din 1440 d.6.4 zn	
23	VM11016		molla tazza din.2093 12,5x 6,2x 0,5	
24	0022017		vite tcei m6x20 u5931 cl8.8 zincata	
25	0024012		vite tcei m10x60 u5931 c8.8 zincata	
26	QEKZ034			
27	131170049			

A9500	CENTRAL PNEUMATIC TUCK - IN DEVICE	ZA069-00
	Valid lots from to	01/09/2012



A9500	CENTRAL PNEUMATIC TUCK - IN DEVICE		ZA069-00
	Valid lots from to		01/09/2012

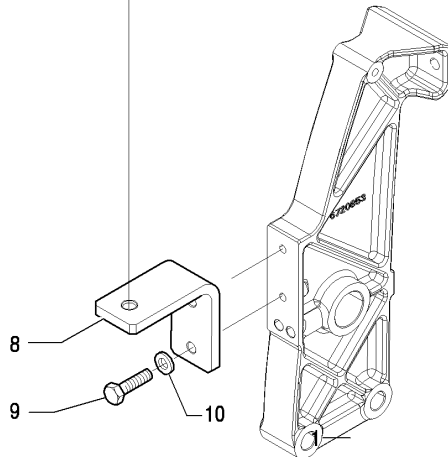
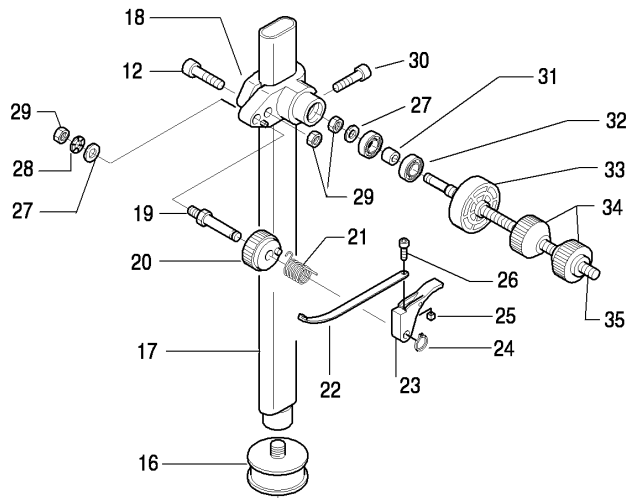
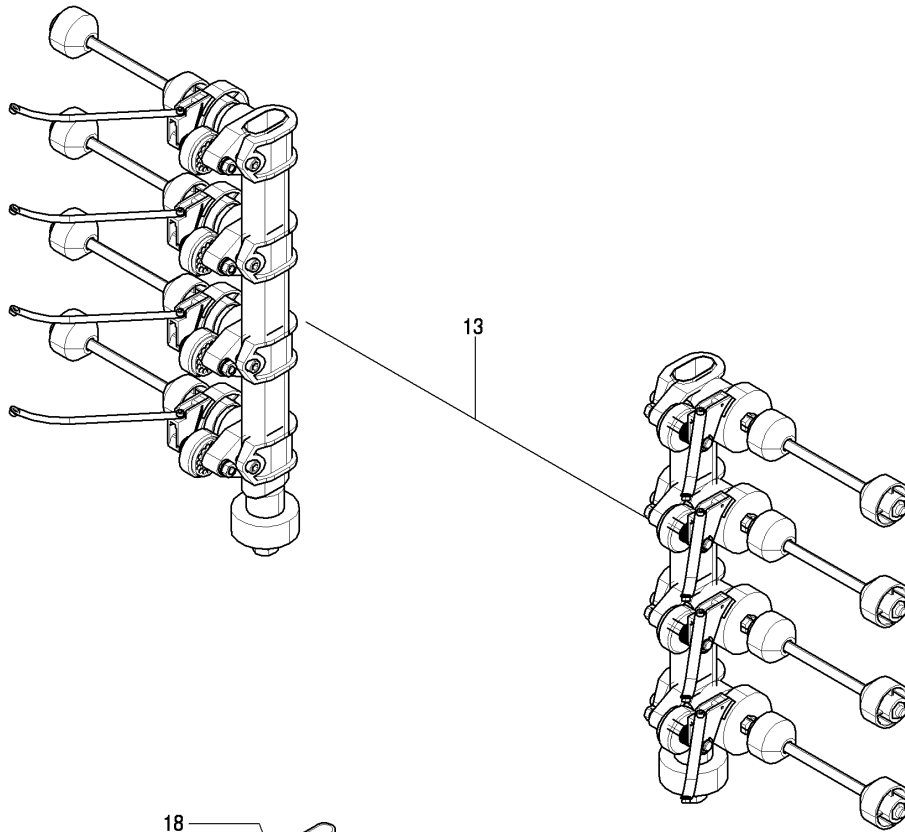
Pos.	Code	Widths	Remarks	Lots
1	QAKZ002			
2	A1E1E6A			
3	QEKZ046			
4	QEKZ047			
5	QAKZ023			
6	QEKZ011			
7	QELT011			
8	QELT045			
9	VD13010		dado esag. m 5 uni5588 cl.8 zincato	
10	0141002		molla a tazza 10x5,2x0,5 din2093	
11	QEKZ052			
12	VR14030		rondella bisel.din 1440 d.4,3 zn.	
13	VD13007		dado esag. m 4 uni5588 cl.8 zincato	
14	0020000		vite tcei m3x10-12.9 iso4762 brunita	
15	VV19023		grano m5x12 uni5923 cl.45h zincata	
16	VV18158		vite tspei m5x10 u5933c10.9 brunita	
17	HDL149A			
18	QEKZ049			
19	VV18509		vite tbei m4x12-10.9 iso7380 zincata	
20	QEKZ010			
21	QEKZ051			
22	VD14002		dado es.autoblocc.din.985 m 4 zn.	
23	VM11004		molla tazza din.2093 8x 4,2x 0,4	
24	0141013		rond.di sic.zig.schnorr"s" 4.3x7x0.5 brunita	
25	ECS0164		cusc.rad.a sfere 684-2z (4x9x4)	
26	0300000		cusc.radiale sfere skf 628/5 2z (5x11x4)	
27	0021003		vite tcei m4x10 u5931 cl8.8 zincata	
28	0021063		vite tcei m4x20-12.9 iso4762 brunita	
29	EDY121A			
30	QAKZ024			
31	VV18507		vite tbei m4x10-8.8 iso7380 zincata	
32	VV16223		vite tcei m5x14 uni5931 cl12.9 brunita	
33	0488043		elettrovalvola smc art. avj3220-5d-03-x133	
34	GPE1720		Choose the required length in mt.	
35	QAKZ009			
36	QEKZ059			
37	VM11022		molla a tazza din.2093 15x8.2x0.7	
38	VV16192		vite tcei m8x14 iso4762 cl8.8 zincata	
39	0021070		vite tcei m5x12-12.9 iso4762 brunita	
40	0142011		rond.di sic.zig.schnorr"s" 6.4x10x0.7 brunita	
41	0022004		vite tcei m6x16 u5931 cl8.8 zincata	
42	VD13018		dado esag. m 8 uni5588 cl.8 zincato	
43	VM11024		molla a tazza d.16x8.2x0.6 din 2093	
44	VR14595		rondella din 125 d. 8,4 zn.	
45	0003003		vite te m8x40 uni5737 cl8.8 zincata	
46	0013002		vite te m8x20 uni5739 cl8.8 zincata	
47	0041000		vite tspei m5x8 u5933 cl.10.9 brunita	
48	QAKZ011			
49	VM11016		molla tazza din.2093 12,5x 6,2x 0,5	
50	0022001		vite tcei m6x10 u5931 cl8.8 zincata	
51	QEKZ033			
52	QEKZ036			
53	VA11113		anello d'arr.benzing din.6799 d.10	
54	QEKZ056			
55	0033033		grano m8x90 uni5923 cl.45h brunito	

A9500	CENTRAL PNEUMATIC TUCK - IN DEVICE		ZA069-00
	Valid lots from to		01/09/2012

Pos.	Code	Widths	Remarks	Lots
56	0033032		grano m8x60 uni5923 cl.45h brunito	
57	QEKZ035			
58	QAKZ012			
59	QEKZ026			
60	VM11025		molla tazza din.2093 16x 8,2x 0,9	
61	0113011		dado autofrenante m8 din985-10	
62	VS10307		spina cilin.tem.din.6325 10 m6 x 80	
63	QEKZ054			
64	QEKZ053			
65	QEKZ058			
66	QEKZ057			
67	VR14640		rondella din 125 d. 10,5 zn.	
68	VM11036		molla tazza din.2093 20x10,2x 0,8	
69	0024004		vite tcei m10x45 u5931 c8.8 zincata	
70	LELU06A			
71	VR14055		rond.bisell.din 1440 d.6.4 zn	
72	QELU12A			
73	0023007		vite tcei m8x35 u5931 cl8.8 zincata	
74	VV16072		vite tcei m8x22 uni5931 cl8.8 zincata	
75	QEKZ055			
76	0141002		molla a tazza 10x5,2x0,5 din2093	
77	VV16223		vite tcei m5x14 uni5931 cl12.9 brunita	
78	QEKZ060			

A9500		
-------	--	--

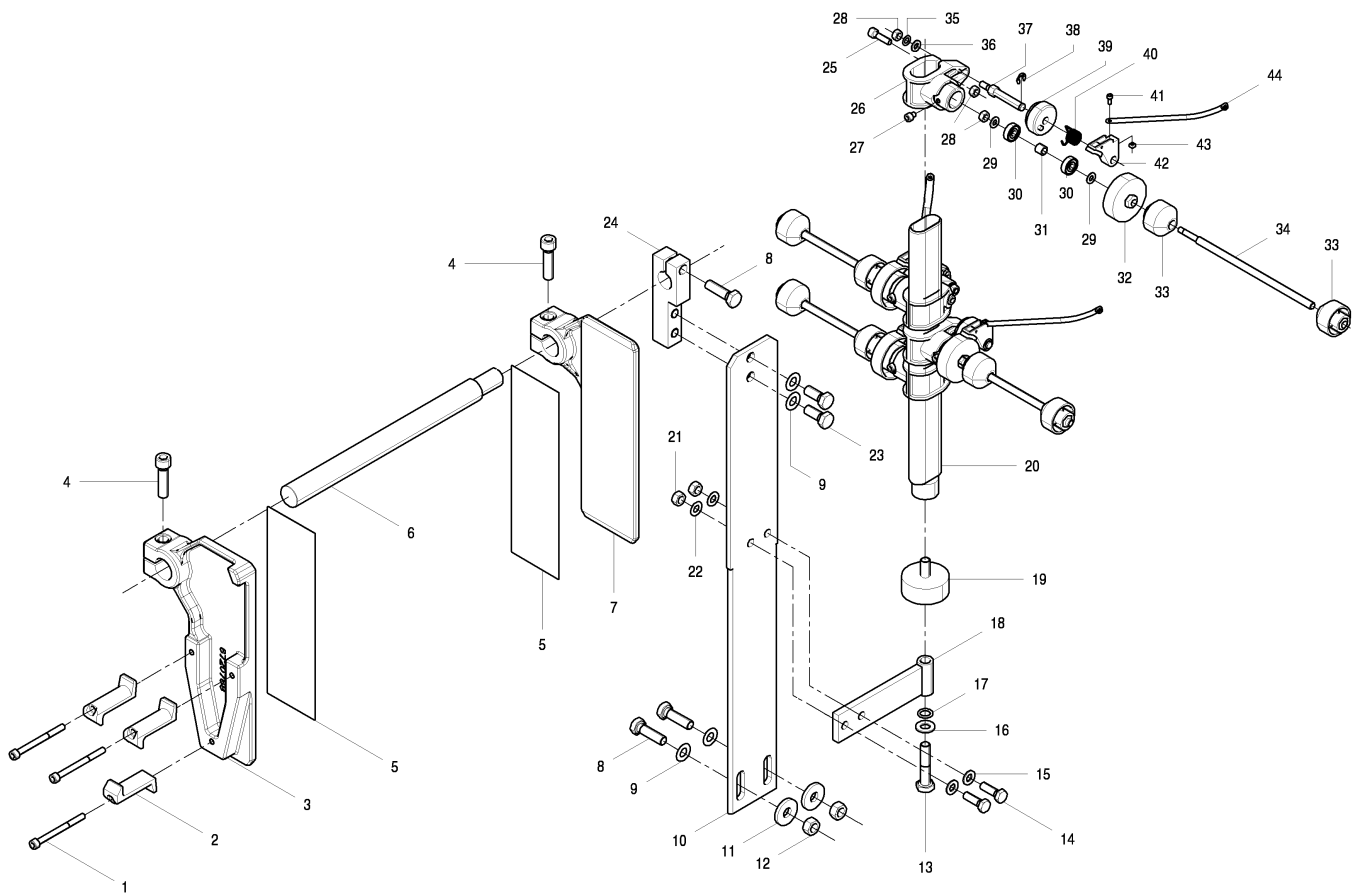
A9500	LATERAL CREEL DEROULE'		ZA070-00
	Valid lots from to		01/09/2012



A9500	LATERAL CREEL DEROULE'		ZA070-00
	Valid lots from to		01/09/2012

Pos.	Code	Widths	Remarks	Lots
8	131170001			
9	0014001		vite te m10x20 u5739 cl8.8 zincata	
10	0144002		molla a tazza 20x10,2x1,1 din2093	
12	0022039		vite tcei m6x22 u5931 cl8.8 zincata	
13	9320891		Left.	
13	9320890		Right.	
16	0463037		antivibrante bd 5020-h m10x20	
17	2680275			
18	2526078			
19	2110516			
20	2548398			
21	2193398		Left.	
21	2193400		Right.	
22	2580368			
23	2548396			
24	0171001		anello benzing d=6 uni7434	
25	2507004			
26	0020007		vite tcei m3x8 u5931 cl8.8 zincata	
27	0122001		rond.piana d=6,4 uni6592 zincata	
28	0132001		rond.dent/est.d=6,4 din6798a zincata	
29	0102001		dado esag.m6 uni5588 cl.8 zincato	
30	0021008		vite tcei m5x6 u5931 cl8.8 zincata	
31	2140692			
32	0301010		cusc.rad.rig.sf.626 2z 6x6x19	
33	2548400			
34	2558082			
35	2110718			

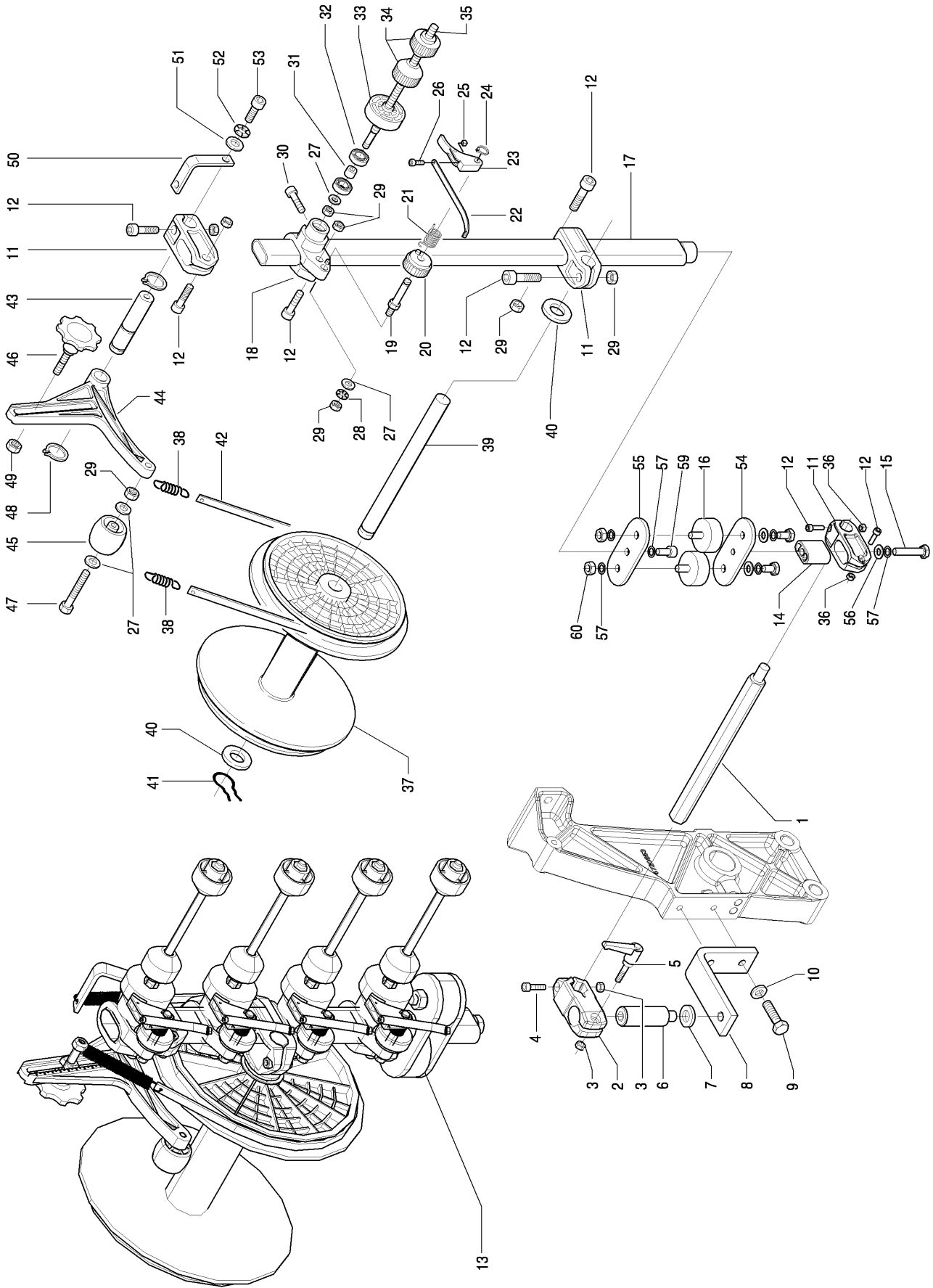
A9500	CENTRAL CREEL DEROULE'	ZA071-00
	Valid lots from to	05/10/2012



A9500	CENTRAL CREEL DEROULE'		ZA071-00
	Valid lots from to		05/10/2012

Pos.	Code	Widths	Remarks	Lots
1	110022113			
2	LES214A			
3	QELS004			
4	110024056			
5	2569094			
6	QELS2AA			
7	2524036			
8	110014027			
9	VM11036		molla tazza din.2093 20x10,2x 0,8	
10	131140096			
11	VR17015		rondelle piane special.de.30x11x4 zn.	
12	110104007			
13	0004003		vite te m10x50 u5737 cl8.8 zincata	
14	110013030			
15	0123001		rond.piana d=8,4 uni6592 zincata	
16	0124001		rond.piana d=10,5 uni6592 zincata	
17	0144006		rond.di secur.zig.schnor 10,5x16x1 zinca	
18	131170051			
19	0463037		antivibrante bd 5020-h m10x20	
20	2680275			
21	110103010			
22	VM11025		molla tazza din.2093 16x 8,2x 0,9	
23	110014025			
24	131140095			
25	0022039		vite tcei m6x22 u5931 cl8.8 zincata	
26	2526078			
27	0021008		vite tcei m5x6 u5931 cl8.8 zincata	
28	0102001		dado esag.m6 uni5588 cl.8 zincato	
29	0152000		ros.d'appoggio din988 ss 6x12x1.2 br(conf.1000 pz)	
30	0301010		cusc.rad.rig.sf.626 2z 6x6x19	
31	2140692			
32	2548400			
33	2558082			
34	2110718			
35	0132001		rond.dent/est.d=6,4 din6798a zincata	
36	0122001		rond.piana d=6,4 uni6592 zincata	
37	2110516			
38	0171001		anello benzing d=6 uni7434	
39	2548398			
40	2193398			
41	0020007		vite tcei m3x8 u5931 cl8.8 zincata	
42	2548396			
43	2507004			
44	2580368			

A9500	SIDE CREEL WITH BOBBIN	ZA072-00
	Valid lots from to	01/09/2012



A9500	SIDE CREEL WITH BOBBIN		ZA072-00
	Valid lots from to		01/09/2012

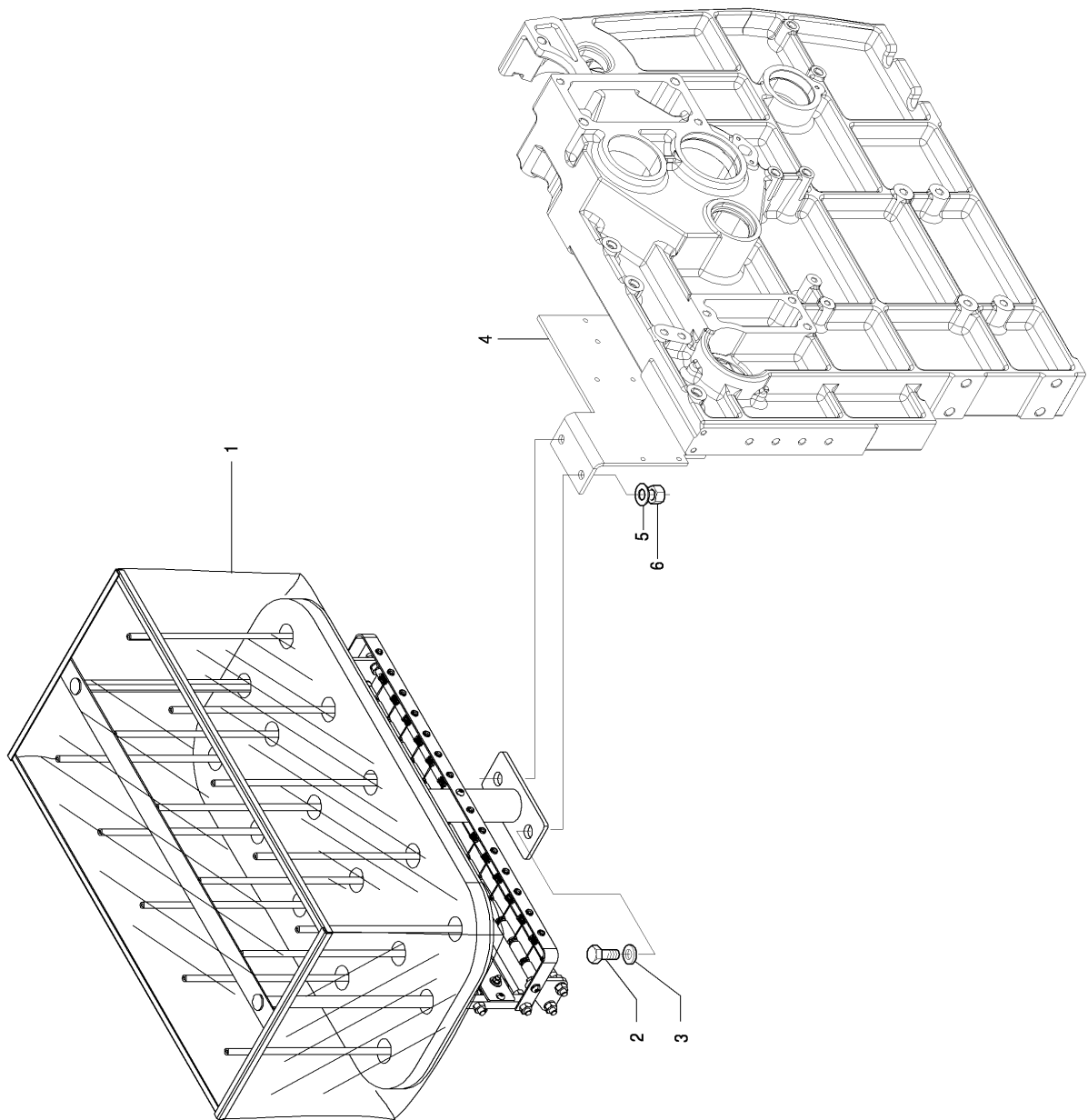
Pos.	Code	Widths	Remarks	Lots
1	QEM806A			
2	2536494			
3	VD13018		dado esag. m 8 uni5588 cl.8 zincato	
4	0023006		vite tcei m8x30 u5931 cl8.8 zincata	
5	VM10360		maniglia a ripresa erx.63-p m8x35 elesa	
6	LEM800A			
7	VM11057		molla tazza din.2093 31,5x16,3x 1,75	
8	131170011			
9	110014025			
10	0144002		molla a tazza 20x10,2x1,1 din2093	
11	2526086			
12	0022039		vite tcei m6x22 u5931 cl8.8 zincata	
13	9320260		Right.	
14	2680277			
15	0004003		vite te m10x50 u5737 cl8.8 zincata	
16	0463037		antivibrante bd 5020-h m10x20	
17	2680275			
18	2526078			
19	2110516			
20	2548398			
21	2193400			
22	2580368			
23	2548396			
24	0171001		anello benzing d=6 uni7434	
25	2507004			
26	0020007		vite tcei m3x8 u5931 cl8.8 zincata	
27	0122001		rond.piana d=6,4 uni6592 zincata	
28	0132001		rond.dent/est.d=6,4 din6798a zincata	
29	0102001		dado esag.m6 uni5588 cl.8 zincato	
30	0021008		vite tcei m5x6 u5931 cl8.8 zincata	
31	2140692			
32	0301010		cusc.rad.rig.sf.626 2z 6x6x19	
33	2548400			
34	2558082			
35	2110718			
36	0112013		dado autobloccante basso m6 uni7474	
37	2248002			
38	2193050			
39	2150014			
40	0128002		rond.piana d=21 uni6592 zincata	
41	2193052			
42	2509006			
43	2150012			
44	2548080			
45	2148072			
46	2548082			
47	0002004		vite te m6x50 uni5737 cl8.8 zincata	
48	0173001		anello benzing d=15 uni7434	
49	0103001		dado esag.m8 uni5588 cl.8 zincato	
50	2560598			
51	0123001		rond.piana d=8,4 uni6592 zincata	
52	0133001		rond.dent/est.d=8,2 din6798a zincata	
53	0023003		vite tcei m8x16 u5931 cl8.8 zincata	
54	2500645			
55	2500643			

A9500	SIDE CREEL WITH BOBBIN		ZA072-00
	Valid lots from to		01/09/2012

Pos.	Code	Widths	Remarks	Lots
56	0124001		rond.piana d=10,5 uni6592 zincata	
57	0144006		rond.di secur.zig.schnor 10,5x16x1 zinca	
58	0014008		vite te m10x16 u5739 cl8.8 zincata	
59	0024010		vite tcei m10x20 u5931 c8.8 zincata	
60	0104001		dado esag. m10 uni5588 cl.8 zincato	

A9500		
-------	--	--

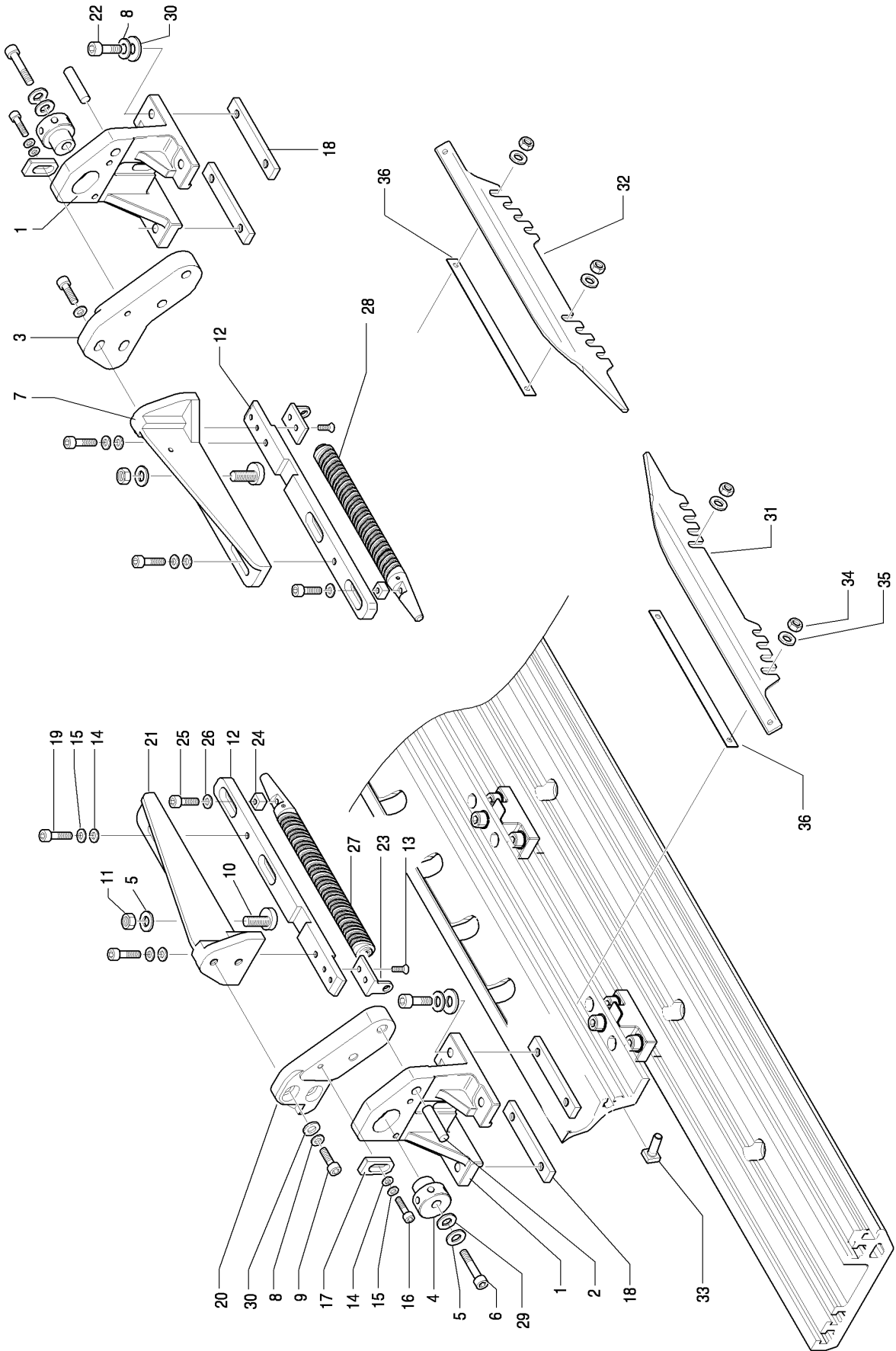
A9500	RIGHT SIDE DEROULÈ' CREEL WITH 14 CONES	ZA077-00
	Valid lots from to	01/09/2012



A9500	RIGHT SIDE DEROULÈ' CREEL WITH 14 CONES	ZA077-00
	Valid lots from to	01/09/2012

Pos.	Code	Widths	Remarks	Lots
1	CMC3000		Creel with broken thread control	
1	CMC3001		Creel without broken thread control	
2	110017026			
3	VR14700		rondella din 125 d. 17 zn.	
4	131170000			
5	VM11058		molla tazza din.2093 31,5x16,3x 2	
6	110107009			

A9500	MIDDLE AND LONG TEMPLES WITH SUPPORTS	ZA080-00
	Valid lots from to	01/09/2012



A9500	MIDDLE AND LONG TEMPLES WITH SUPPORTS	ZA080-00
	Valid lots from to	01/09/2012

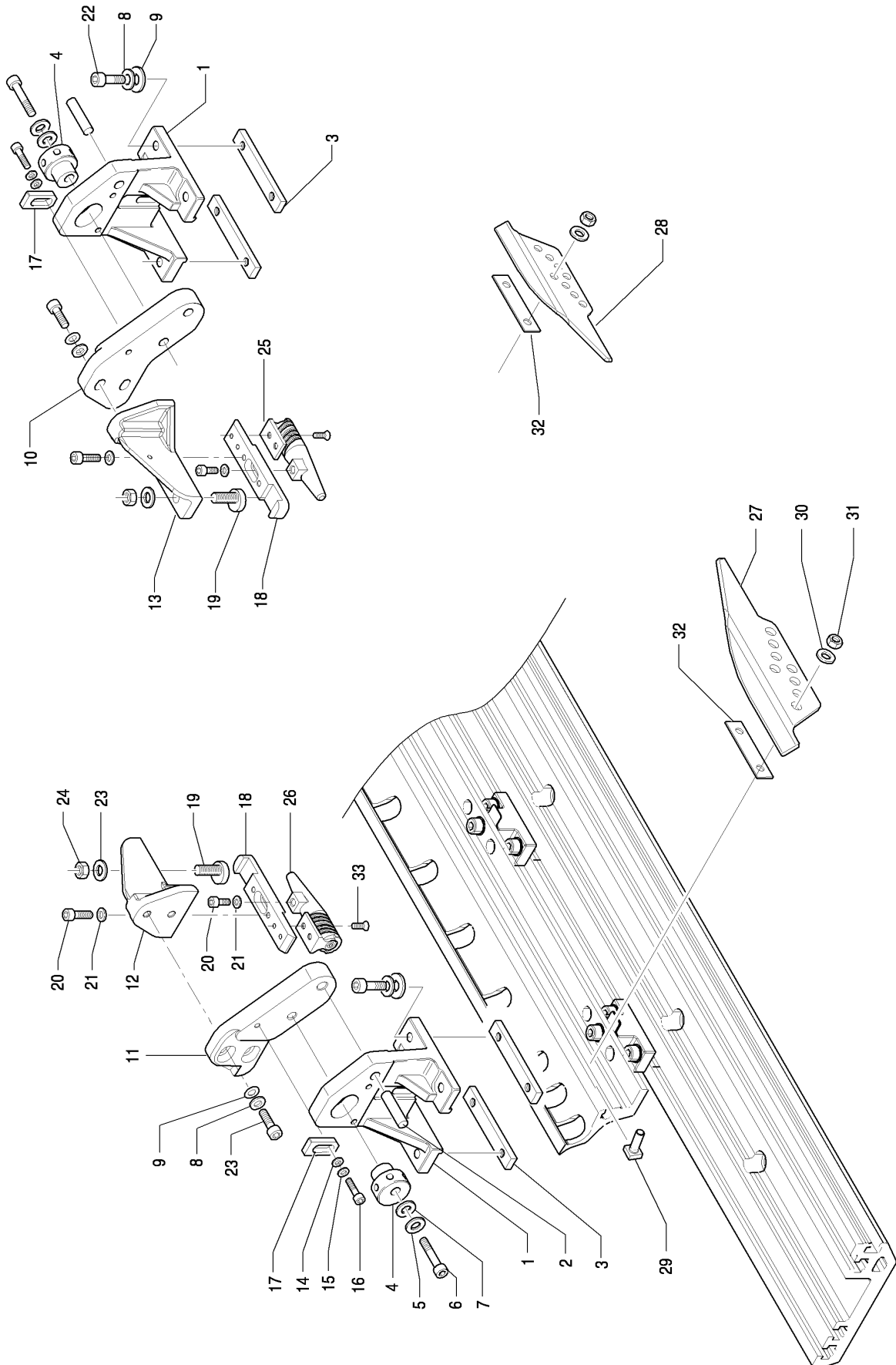
Pos.	Code	Widths	Remarks	Lots
1	QELU006			
2	VS10767		spina cil.rs70/80 h8 din 7 10x55	
3	QELU08A			
4	QELU12A			
5	VM11036		molla tazza din.2093 20x10,2x 0,8	
6	0024049		vite tcei m10x50-8.8 iso4762 brunita	
7	QELU10A			
8	VM11024		molla a tazza d.16x8.2x0.6 din 2093	
9	VV16072		vite tcei m8x22 uni5931 cl8.8 zincata	
10	QELU11A			
11	VD13023		dado esag. m 10 uni5588 cl.8 zincato	
12	QELU05A			
13	VV18016		vite tspei m5x12 uni5933 cl10.9 zincata	
14	VR14055		rond.bisell.din 1440 d.6.4 zn	
15	VM11016		molla tazza din.2093 12,5x 6,2x 0,5	
16	0022022		vite tcei m6x14 u5931 cl8.8 zincata	
17	LELU06A			
18	QELU14A			
19	110022105			
20	QELU07A			
21	QELU09A			
22	110023076			
23	QELU04B			
24	QELU03A			
25	0022018		vite tcei m6x20-8.8 iso4762 brunita	
26	VR14055		rond.bisell.din 1440 d.6.4 zn	
27	C9C0557		Broell long temples * Delicate fabrics	
27	C9C0552		Broell long temples * Heavy fabrics	
27	C9C0553		Broell long temples * Light fabrics	
27	C9C0556		Broell middle temples * Delicate fabrics	
27	C9C0554		Broell middle temples * Heavy fabrics	
27	C9C0555		Broell middle temples * Light fabrics	
27	C9C0559		Broell middle temples * Synthetic fabrics	
27	C9C033B		Castello long temples * Heavy fabrics	
27	C9C033D		Castello long temples * Light fabrics	
27	C9C033K		Castello middle temples * Delicate fabrics	
27	C9C033F		Castello middle temples * Heavy fabrics	
27	C9C033H		Castello middle temples * Light fabrics	
27	C9C033M		Castello middle temples * Synthetic fabrics	
27	0551167		temp.hunziker 2 an.punte+32 an.gomma * Hunziker long temples * Delicate fabrics	
27	0551163		temp.hunziker 34 an.punte medio lung.01.363.52001 * Hunziker long temples * Heavy fabrics	
27	0551164		temp.hunziker 34 an.punte medio fini 01.363.52002 * Hunziker long temples * Light fabrics	
27	0551165		temp.hunziker 20 an.punte medie 01.363.50103 * Hunziker middle temples * Heavy fabrics	
27	0551168		temp.hunz.sn.2 an+rullo gomma fil.01.369.17202(t6) * Hunziker middle temples * Light fabrics	
27	0551166		temp.hunziker 20 an.punte fini 01.363.50104 * Hunziker middle temples * Light fabrics	
27	CMN7920		Manea long temples * Delicate fabrics	
27	CMN7915		Manea long temples * Heavy fabrics	
27	CMN7916		Manea long temples * Light fabrics	
27	CMN7919		Manea middle temples * Delicate fabrics	

A9500	MIDDLE AND LONG TEMPLES WITH SUPPORTS	ZA080-00
	Valid lots from to	01/09/2012

Pos.	Code	Widths	Remarks	Lots
27	CMN7917		Manea middle temples * Heavy fabrics	
27	CMN7918		Manea middle temples * Light fabrics	
27	CMN7921		Manea middle temples * Synthetic fabrics	
28	C9C0557		Broell long temples * Delicate fabrics	
28	C9C0552		Broell long temples * Heavy fabrics	
28	C9C0553		Broell long temples * Light fabrics	
28	C9C0556		Broell middle temples * Delicate fabrics	
28	C9C0554		Broell middle temples * Heavy fabrics	
28	C9C0555		Broell middle temples * Light fabrics	
28	C9C0558		Broell middle temples * Synthetic fabrics	
28	C9C033A		Castello long temples * Heavy fabrics	
28	C9C033C		Castello long temples * Light fabrics	
28	C9C033J		Castello middle temples * Delicate fabrics	
28	C9C033E		Castello middle temples * Heavy fabrics	
28	C9C033G		Castello middle temples * Light fabrics	
28	C9C033L		Castello middle temples * Synthetic fabrics	
28	0551167		temp.hunziker 2 an.punte+32 an.gomma * Hunziker long temples * Delicate fabrics	
28	0551163		temp.hunziker 34 an.punte medio lung.01.363.52001 *	
28	0551164		Hunziker long temples * Heavy fabrics	
28	0551165		temp.hunziker 34 an.punte medio fini 01.363.52002 *	
28	0551165		Hunziker long temples * Light fabrics	
28	0551165		temp.hunziker 20 an.punte medie 01.363.50103 * Hunziker middle temples * Heavy fabrics	
28	0551169		temp.hunz.ds.2 an+rullo gomma fil.01.369.17302(t6) *	
28	0551166		Hunziker middle temples * Light fabrics	
28	0551166		temp.hunziker 20 an.punte fini 01.363.50104 * Hunziker middle temples * Light fabrics	
28	CMN7920		Manea long temples * Delicate fabrics	
28	CMN7915		Manea long temples * Heavy fabrics	
28	CMN7916		Manea long temples * Light fabrics	
28	CMN7919		Manea middle temples * Delicate fabrics	
28	CMN7917		Manea middle temples * Heavy fabrics	
28	CMN7918		Manea middle temples * Light fabrics	
28	CMN7922		Manea middle temples * Synthetic fabrics	
29	VR14640		rondella din 125 d. 10,5 zn.	
30	VR14595		rondella din 125 d. 8,4 zn.	
31	2503126		Valid parts just for long temples	
31	2503129		Valid parts just for middle temples	
31	QELU010		Valid parts just for middle temples * Valid parts just for long temples	
32	2503128		Valid parts just for long temples	
32	2503130		Valid parts just for middle temples	
32	QELU011		Valid parts just for middle temples * Valid parts just for long temples	
33	2110542			
34	VM11016		molla tazza din.2093 12,5x 6,2x 0,5	
35	0102001		dado esag.m6 uni5588 cl.8 zincato	
36	QELU022		Valid parts just for long temples	
36	QELU021		Valid parts just for middle temples	

A9500		
-------	--	--

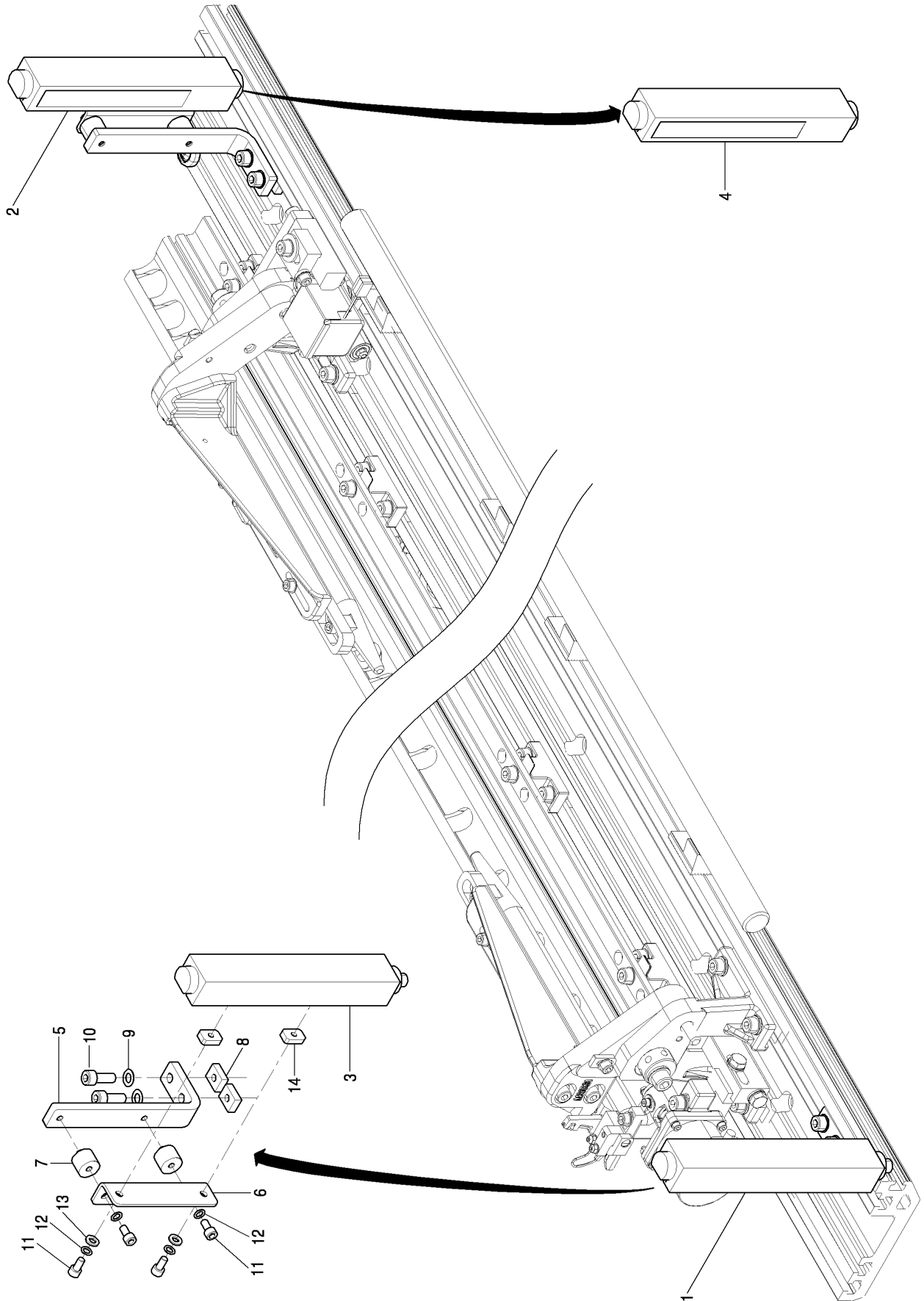
A9500	SHORT TEMPLES WITH SUPPORTS	ZA085-00
	Valid lots from to	01/09/2012



A9500	SHORT TEMPLES WITH SUPPORTS		ZA085-00
	Valid lots from to		01/09/2012

Pos.	Code	Widths	Remarks	Lots
1	QELU006			
2	VS10767		spina cil.rs70/80 h8 din 7 10x55	
3	QELU14A			
4	QELU12A			
5	VM11036		molla tazza din.2093 20x10,2x 0,8	
6	0024049		vite tcei m10x50-8.8 iso4762 brunita	
7	VR14640		rondella din 125 d. 10,5 zn.	
8	VM11024		molla a tazza d.16x8.2x0.6 din 2093	
9	VR14595		rondella din 125 d. 8,4 zn.	
10	QELU08A			
11	QELU07A			
12	QELU026			
13	QELU025			
14	VR14055		rond.bisell.din 1440 d.6.4 zn	
15	VM11016		molla tazza din.2093 12,5x 6,2x 0,5	
16	0022022		vite tcei m6x14 u5931 cl8.8 zincata	
17	LELU06A			
18	QELU024			
19	QELU11A			
20	0022018		vite tcei m6x20-8.8 iso4762 brunita	
21	VM11016		molla tazza din.2093 12,5x 6,2x 0,5	
22	110023076			
23	VV16072		vite tcei m8x22 uni5931 cl8.8 zincata	
24	VD13023		dado esag. m 10 uni5588 cl.8 zincato	
25	C9C0546		Broell short temples	
25	C9C033P		Castello short temples	
25	0551170		temp.hunziker 3 anelli corto 01.361.00901 (t7) * Hunziker short temples	
25	CMN7923		Manea short temples	
26	C9C0546		Broell short temples	
26	C9C033N		Castello short temples	
26	0551170		temp.hunziker 3 anelli corto 01.361.00901 (t7) * Hunziker short temples	
26	CMN7923		Manea short temples	
27	2503140		Valid parts just for short temples	
28	2503138		Valid parts just for short temples	
29	2110542			
30	VM11016		molla tazza din.2093 12,5x 6,2x 0,5	
31	0102001		dado esag.m6 uni5588 cl.8 zincato	
32	QELU023		Valid parts just for short temples	
33	0041004		vite tspei m5x10 u5933c10.9 zincata	

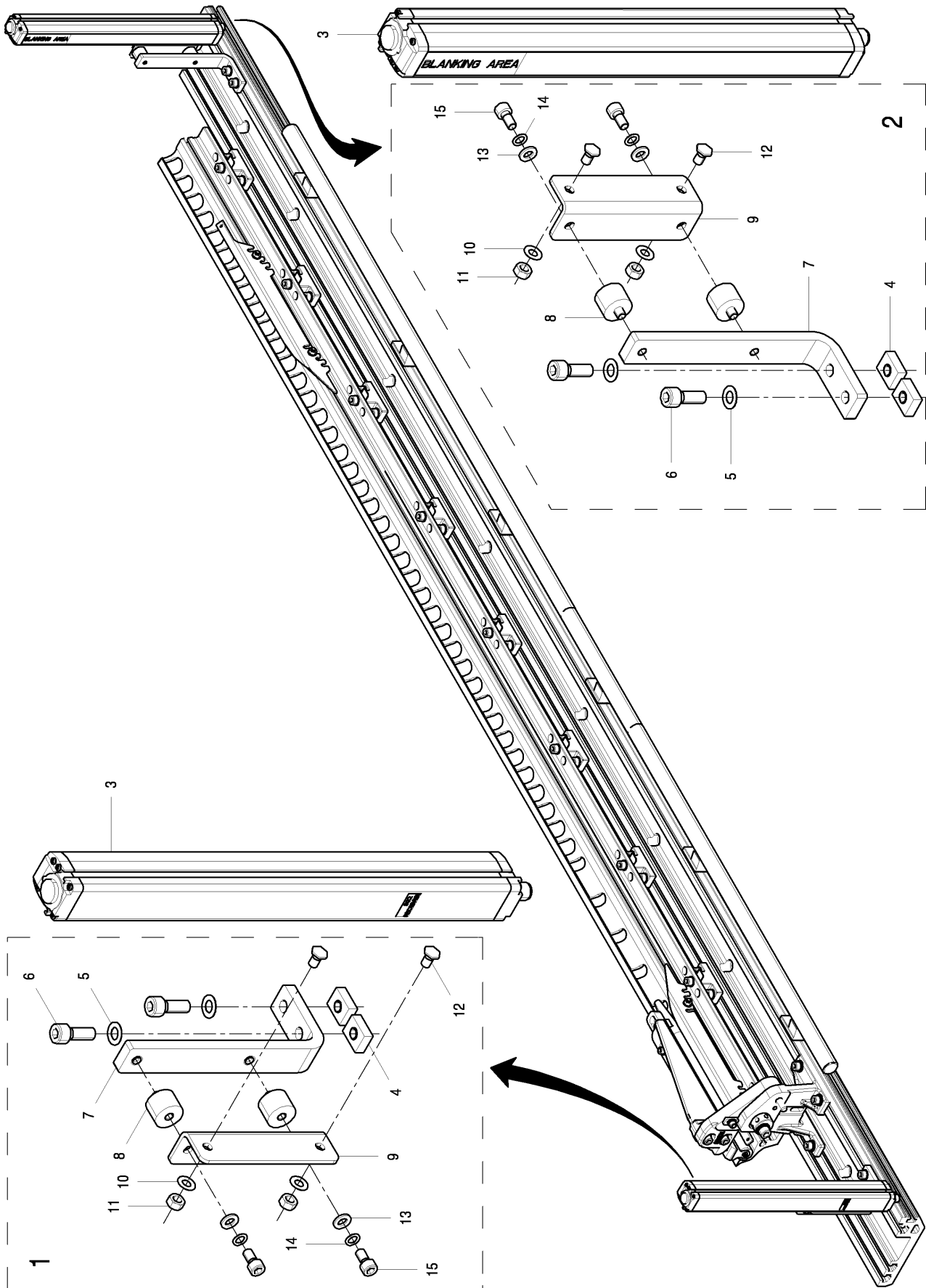
A9500	SAFETY BARRIER PHOTOELECTRIC CELLS	ZA090-00
	Valid lots from YA01 to YE02	01/09/2012



A9500	SAFETY BARRIER PHOTOELECTRIC CELLS		ZA090-00
	Valid lots from YA01 to YE02		01/09/2012

Pos.	Code	Widths	Remarks	Lots
1	161180035			
2	161180034			
3	110816029			
4	110816005			
5	131180036			
6	131180035			
7	0463022		antivibrante puffer bd2015 m6x6 sha57	
8	HDD011A			
9	VM11022		molla a tazza din.2093 15x8.2x0.7	
10	VV16072		vite tcei m8x22 uni5931 cl8.8 zincata	
11	110022102			
12	0142011		rond.di sic.zig.schnorr"s" 6.4x10x0.7 brunita	
13	0122001		rond.piana d=6,4 uni6592 zincata	

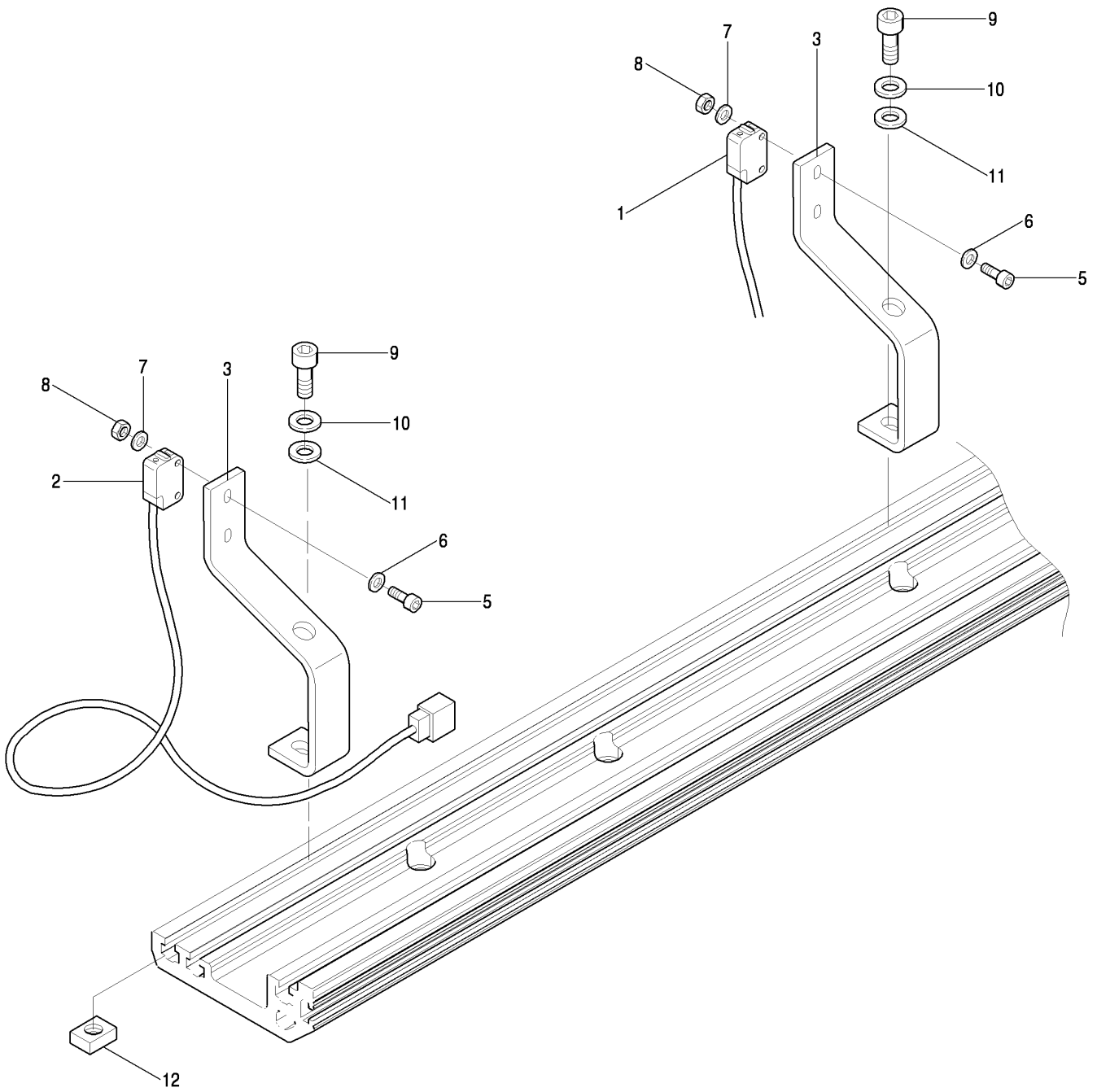
A9500	SAFETY BARRIER PHOTOELECTRIC CELLS	ZA090-01
	Valid lots from YE03 to	05/09/2016



A9500	SAFETY BARRIER PHOTOELECTRIC CELLS			ZA090-01
	Valid lots from YE03 to			05/09/2016

Pos.	Code	Widths	Remarks	Lots
1	191180005			
2	191180006			
3	110816037		Always replace the photocells pair	
4	HDD011A			
5	VM11022		molla a tazza din.2093 15x8.2x0.7	
6	VV16072		vite tcei m8x22 uni5931 cl8.8 zincata	
7	131180036			
8	0463022		antivibrante puffer bd2015 m6x6 sha57	
9	131180035			
10	VM11016		molla tazza din.2093 12,5x 6,2x 0,5	
11	110102010			
12	131260303			
13	0122001		rond.piana d=6,4 uni6592 zincata	
14	0142011		rond.di sic.zig.schnorr"s" 6.4x10x0.7 brunita	
15	110022102			

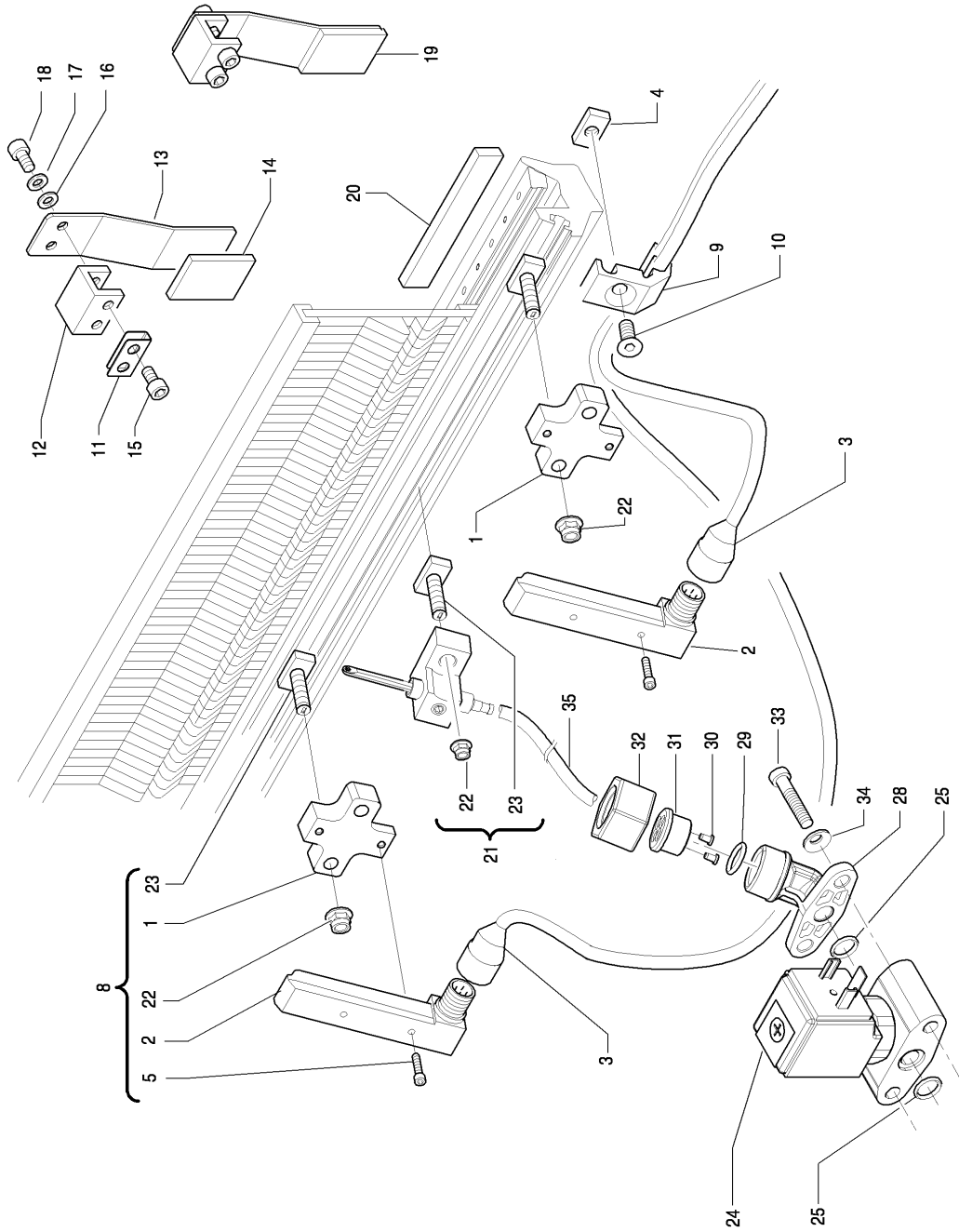
A9500	SAFETY MONORAY PHOTOELECTRIC CELLS	ZA092-00
	Valid lots from to	19/10/2015



A9500	SAFETY MONORAY PHOTOELECTRIC CELLS		ZA092-00
	Valid lots from to		19/10/2015

Pos.	Code	Widths	Remarks	Lots
1	151180272			
2	151180273			
3	QEKU000			
5	110020037			
6	0120003		rond.piana d=3,2 uni6592 zincata	
7	0141011		rond.spec.d=5,2x10x0,25 nicol	
8	110100011			
9	110023075			
10	VM11022		molla a tazza din.2093 15x8.2x0.7	
11	0123001		rond.piana d=8,4 uni6592 zincata	
12	HDD011A			

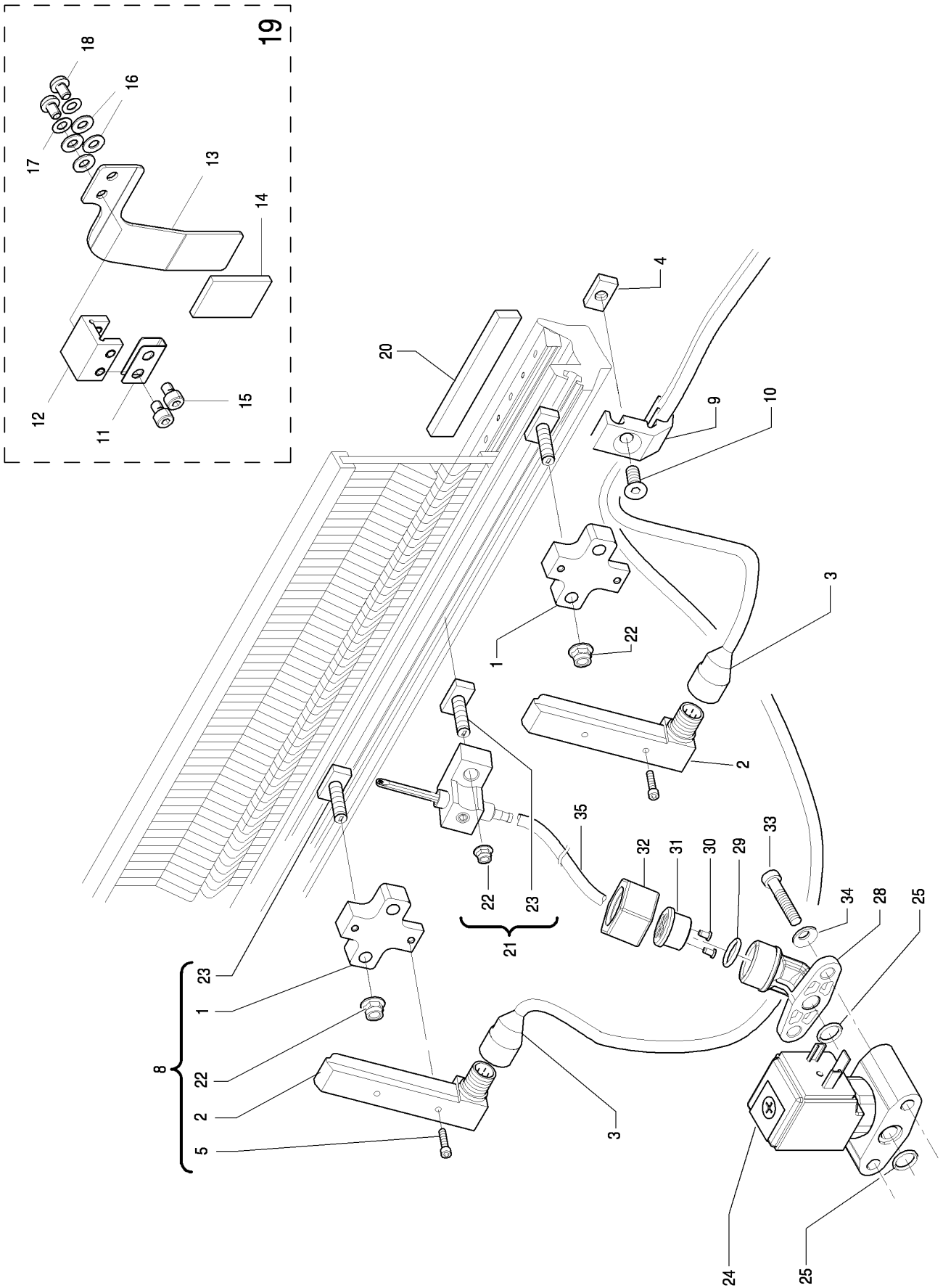
A9500	ELTEX PHOTOELECTRIC CELLS FOR FULL-WIDTH REED	ZA095-00
	Valid lots from to	01/09/2012



A9500	ELTEX PHOTOELECTRIC CELLS FOR FULL-WIDTH REED		ZA095-00
	Valid lots from to		01/09/2012

Pos.	Code	Widths	Remarks	Lots
1	QKKG029			
2	CEX2000			
3	151180271			
4	QEH3029			
5	VV21102		vite tcci din.84 m2,5x14 zn.	
8	QAKG018			
9	FKG049A			
10	VV18016		vite tspei m5x12 uni5933 cl10.9 zincata	
11	QEKZ31A			
12	QEKU03A			
13	FKG050A			
14	FKG052A			
15	VV16012		vite tcei m4x6 uni5931 cl8.8 zincata	
16	VR14030		rondella bisel.din 1440 d.4,3 zn.	
17	VM11004		molla tazza din.2093 8x 4,2x 0,4	
18	VV18711		vite tbei unbrako m4x6 zincata	
19	QAKG02A			
20	FKL008A			
21	QAKW19A			
22	0111020		dado autofrenante m5 con flangia liscia u.en1663	
23	2110966			
24	110488044			
25	0382015		anello tenuta or108 8,73x1,78	
28	QEKE03A			
29	VG17090		guarnizione gaco in nbr orm 0150-10	
30	FH3004A			
31	QEKE0AA			
32	QEKE08A			
33	0022042		vite tcei m6x50 u5931 cl8.8 zincata	
34	VM11016		molla tazza din.2093 12,5x 6,2x 0,5	
35	GPE1736		Choose the required length in mt.	

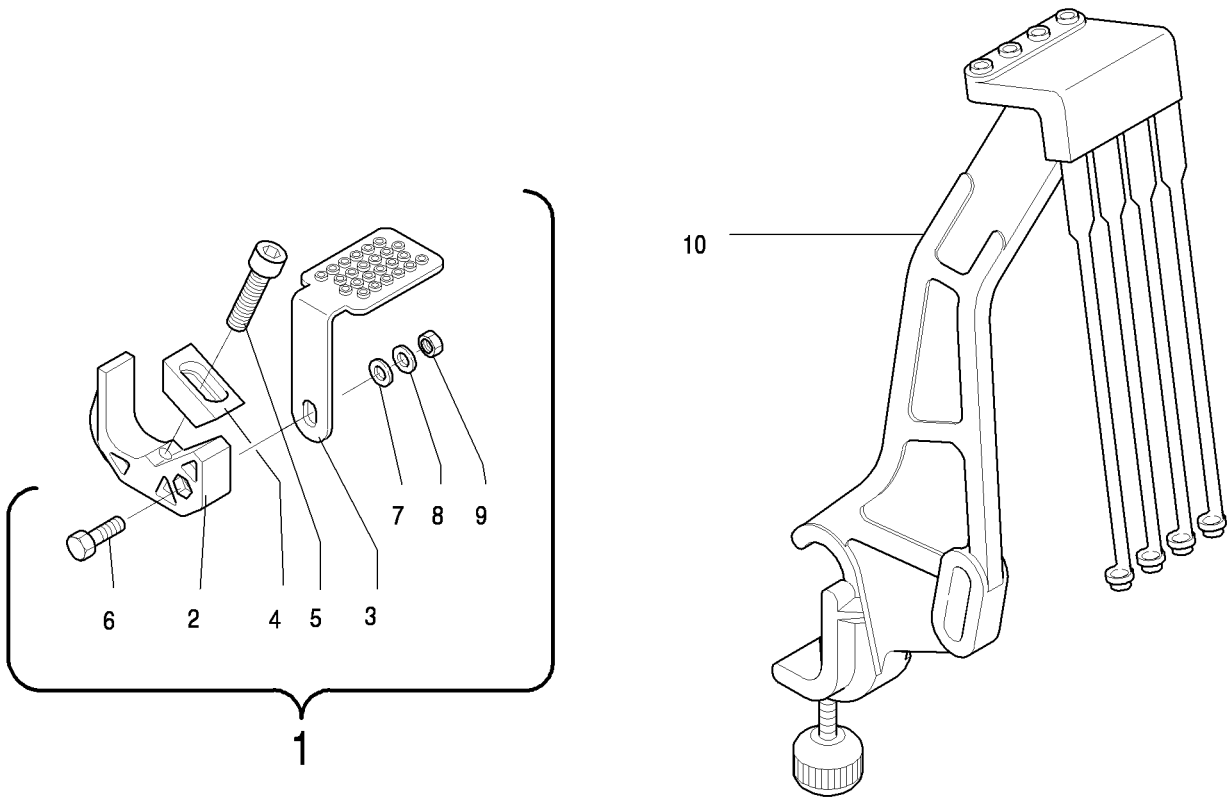
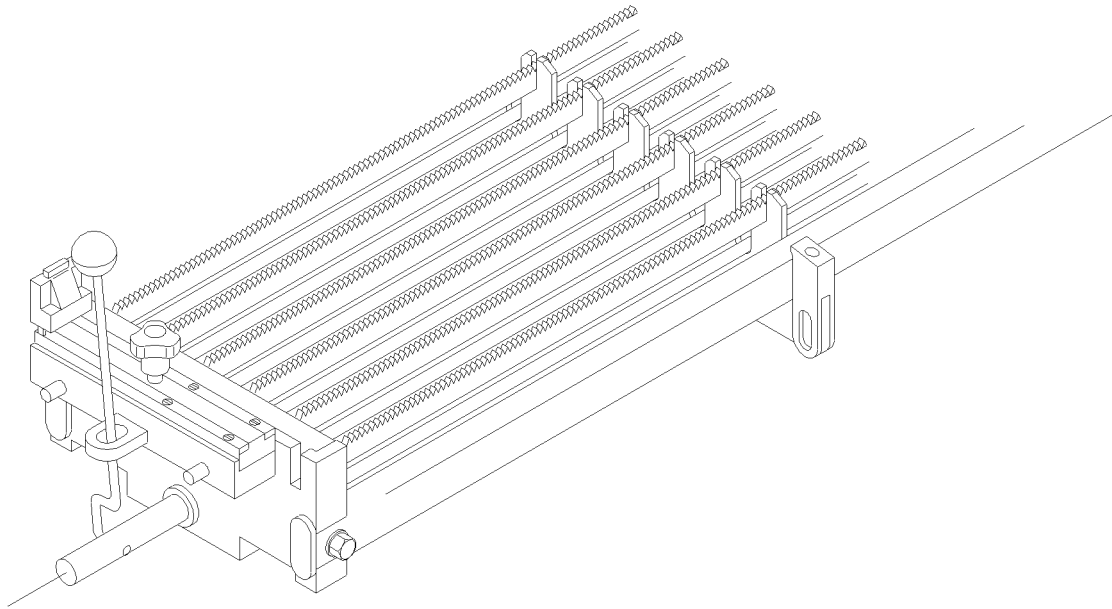
A9500	ELTEX PHOTOELECTRIC CELLS FOR FULL-WIDTH REED	ZA095-01
	Valid lots from to	16/10/2015



A9500	ELTEX PHOTOELECTRIC CELLS FOR FULL-WIDTH REED		ZA095-01
	Valid lots from to		16/10/2015

Pos.	Code	Widths	Remarks	Lots
1	QKEG029			
2	CEX2000			
3	151180271			
4	QEH3029			
5	VV21102		vite tcci din.84 m2,5x14 zn.	
8	QAKG018			
9	FKG049A			
10	VV18016		vite tspei m5x12 uni5933 cl10.9 zincata	
11	QEKZ31A			
12	QEKU03A			
13	131150098			
14	FKG052A			
15	110021102			
16	0121001		rond.piana d=4,3 uni6592 zincata	
17	VM11004		molla tazza din.2093 8x 4,2x 0,4	
18	VV18711		vite tbei unbrako m4x6 zincata	
19	191150087			
20	FKL008A			
21	QAKW19A			
22	0111020		dado autofrenante m5 con flangia liscia u.en1663	
23	2110966			
24	110488044			
25	0382015		anello tenuta or108 8,73x1,78	
28	QEKE03A			
29	VG17090		guarnizione gaco in nbr orm 0150-10	
30	FH3004A			
31	QEKE0AA			
32	QEKE08A			
33	0022042		vite tcei m6x50 u5931 cl8.8 zincata	
34	VM11016		molla tazza din.2093 12,5x 6,2x 0,5	
35	GPE1736		Choose the required length in mt.	

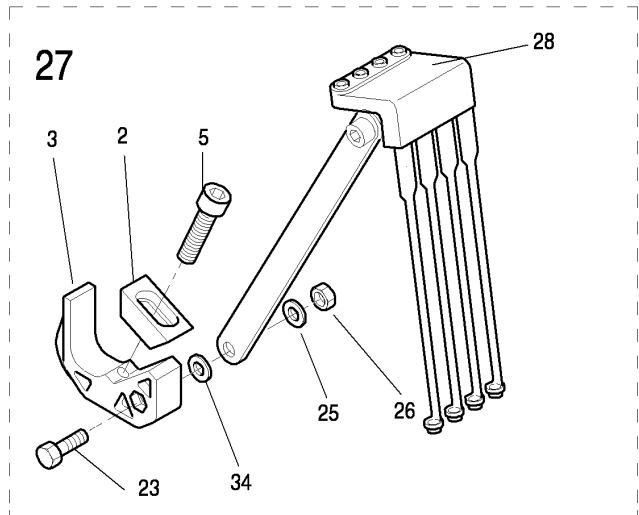
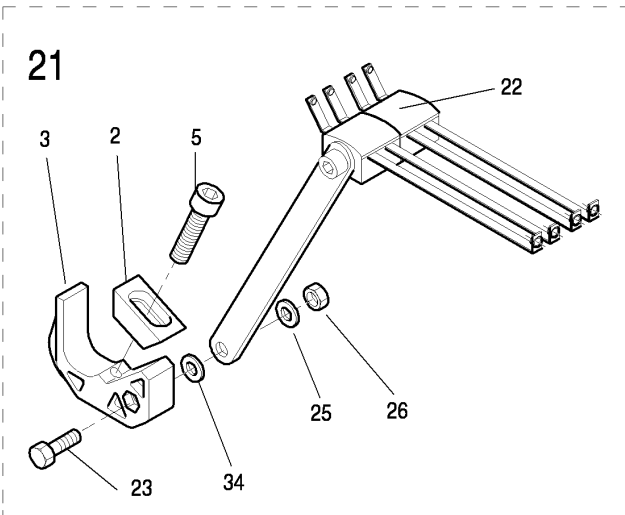
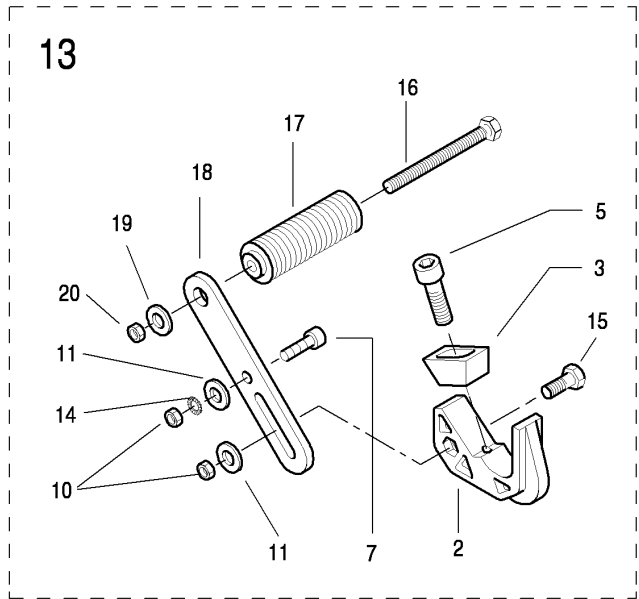
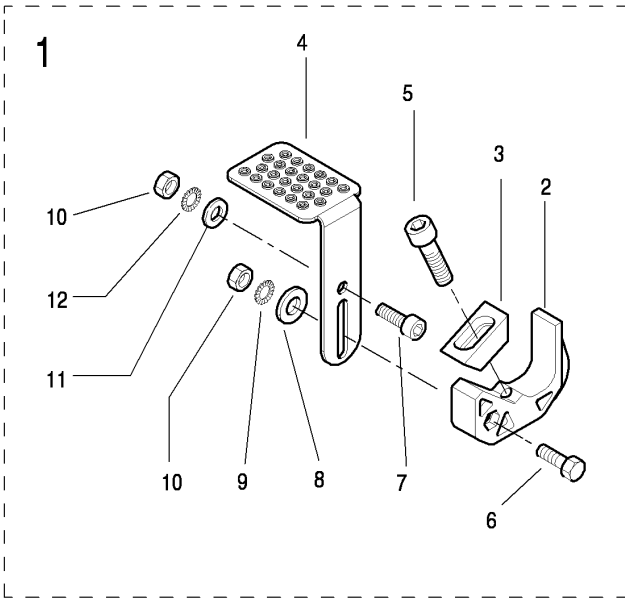
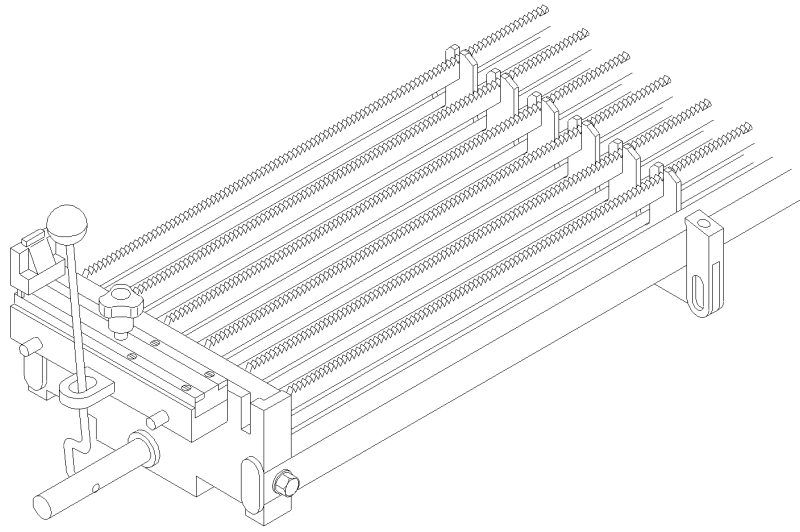
A9500	THREAD GUIDE	ZA098-00
	Valid lots from YA01 to YC12	02/10/2015



A9500	THREAD GUIDE			ZA098-00
	Valid lots from YA01 to YC12			02/10/2015

Pos.	Code	Widths	Remarks	Lots
1	9280600			
2	2556008			
3	2580694			
4	2556010			
5	0021017		vite tcei m5x35 u5931 cl8.8 zincata	
6	0011006		vite te m5x20 uni5739 cl8.8 zincata	
7	0121002		rond.piana d=5,3 uni6592 zincata	
8	0131002		rond.dent/est.d=5,1 din6798a zincata	
9	0101002		dado esag. m5 uni5588 cl.8 zincato	
10	CMC100A			

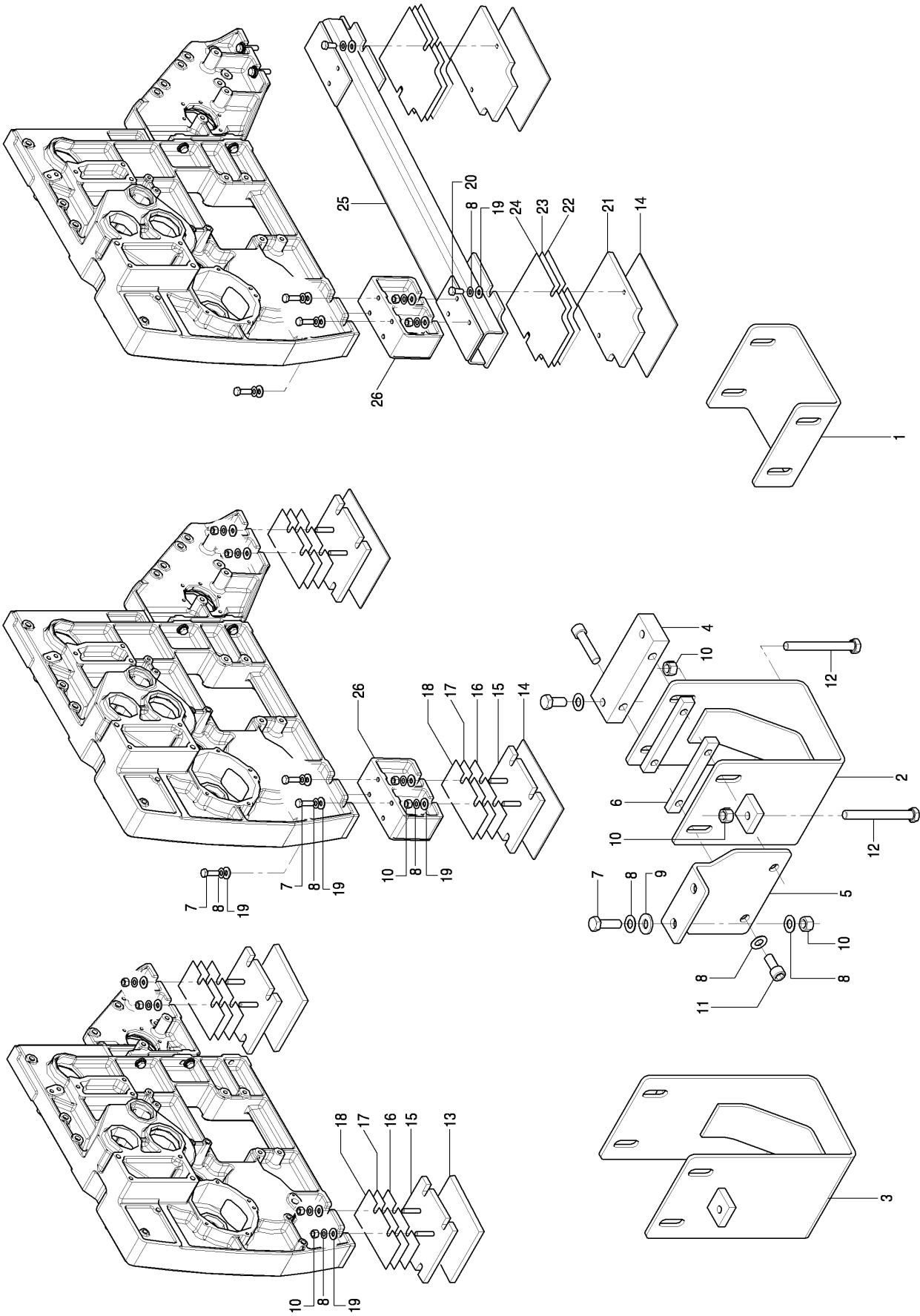
A9500	THREAD GUIDE	ZA098-01
	Valid lots from YD01 to	13/10/2015



A9500	THREAD GUIDE			ZA098-01
	Valid lots from YD01 to			13/10/2015

Pos.	Code	Widths	Remarks	Lots
1	9280599		Left.	
1	9280600		Right.	
2	2556008			
3	2556010			
4	2580694			
5	0021017		vite tcei m5x35 u5931 cl8.8 zincata	
6	0011006		vite te m5x20 uni5739 cl8.8 zincata	
7	VV16028		vite tcei din.912 m 5x10 zn.	
8	0121002		rond.piana d=5,3 uni6592 zincata	
9	0131002		rond.dent/est.d=5,1 din6798a zincata	
10	0101002		dado esag. m5 uni5588 cl.8 zincato	
11	VR18015		rondel.spec.din.9021 de.15x5,4x1,5 zn.	
12	VM11009		molla tazza din.2093 10x 5,2x 0,5	
13	9280825		Left.	
13	9280824		Right.	
14	0131002		rond.dent/est.d=5,1 din6798a zincata	
15	0011006		vite te m5x20 uni5739 cl8.8 zincata	
16	0003014		vite te m8x70 uni5737 cl8.8 zincata	
17	EM8028B			
18	2500339			
19	VM11022		molla a tazza din.2093 15x8.2x0.7	
20	0103001		dado esag.m8 uni5588 cl.8 zincato	
21	191270049		Thread deviator 2 positions	
21	191270050		Thread deviator 4 positions	
22	110542100		Thread deviator 2 positions	
22	110542101		Thread deviator 4 positions	
23	FI0021020			
24	0121003		rond.spec.d=4,3x12sp1,5 u6593 zincata	
25	0121001		rond.piana d=4,3 uni6592 zincata	
26	VD14002		dado es.autoblocc.din.985 m 4 zn.	
27	9280914		Thread deviator 2 positions	
27	9280915		Thread deviator 4 positions	
28	9280912		Thread deviator 2 positions	
28	MC9280090		Thread deviator 4 positions	

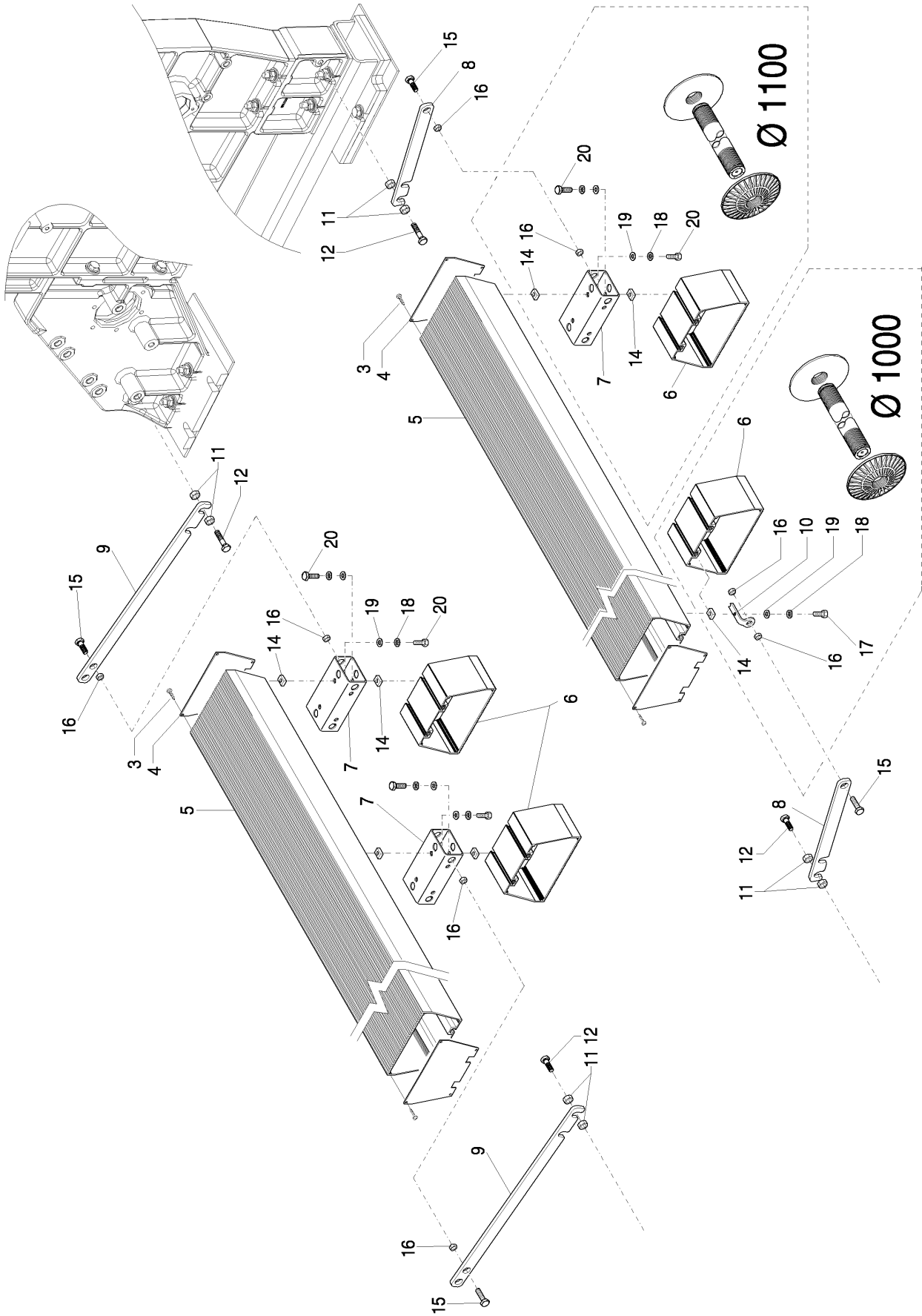
A9500	ADDITIONAL SUPPORTS AND SIDE MEMBERS CONNECTIONS	ZA105-00
	Valid lots from to	11/11/2015



A9500	ADDITIONAL SUPPORTS AND SIDE MEMBERS CONNECTIONS		ZA105-00
	Valid lots from to		11/11/2015

Pos.	Code	Widths	Remarks	Lots
1	131140063		Valid particulars for looms with beam flange =<ø 800.	
2	131140064		Valid particulars for looms with beam flange =<ø 1000.	
3	131140065		Valid particulars for looms with beam flange ø 1100.	
4	131120089			
5	131140062			
6	131140066			
7	110017028			
8	VM11057		molla tazza din.2093 31,5x16,3x 1,75	
9	0127002		rond.spec.d=17x38x4 ferro zincata	
10	110107009			
11	110027038			
12	VV14654		vite te m16x150 uni5739 cl8.8 zincata	
13	QEDZ3DA		Felt plate * Valid particulars for looms with beam flange =<ø 800.	
14	2698064		Gripsol damper violet plate * Valid particulars for looms with beam flange ø 1000-ø 1100	
15	131110115			
16	131110120		Shim 1 mm.	
17	131110119		Shim 0,5 mm.	
18	131110118		Shim 0,2 mm.	
19	0127002		rond.spec.d=17x38x4 ferro zincata	
20	110017025			
21	QEDZ39A			
22	QEDZ3CA		Shim 1 mm.	
23	QEDZ3BA		Shim 0,5 mm.	
24	QEDZ3AA		Shim 0,2 mm.	
25	131110139			
26	131120039			

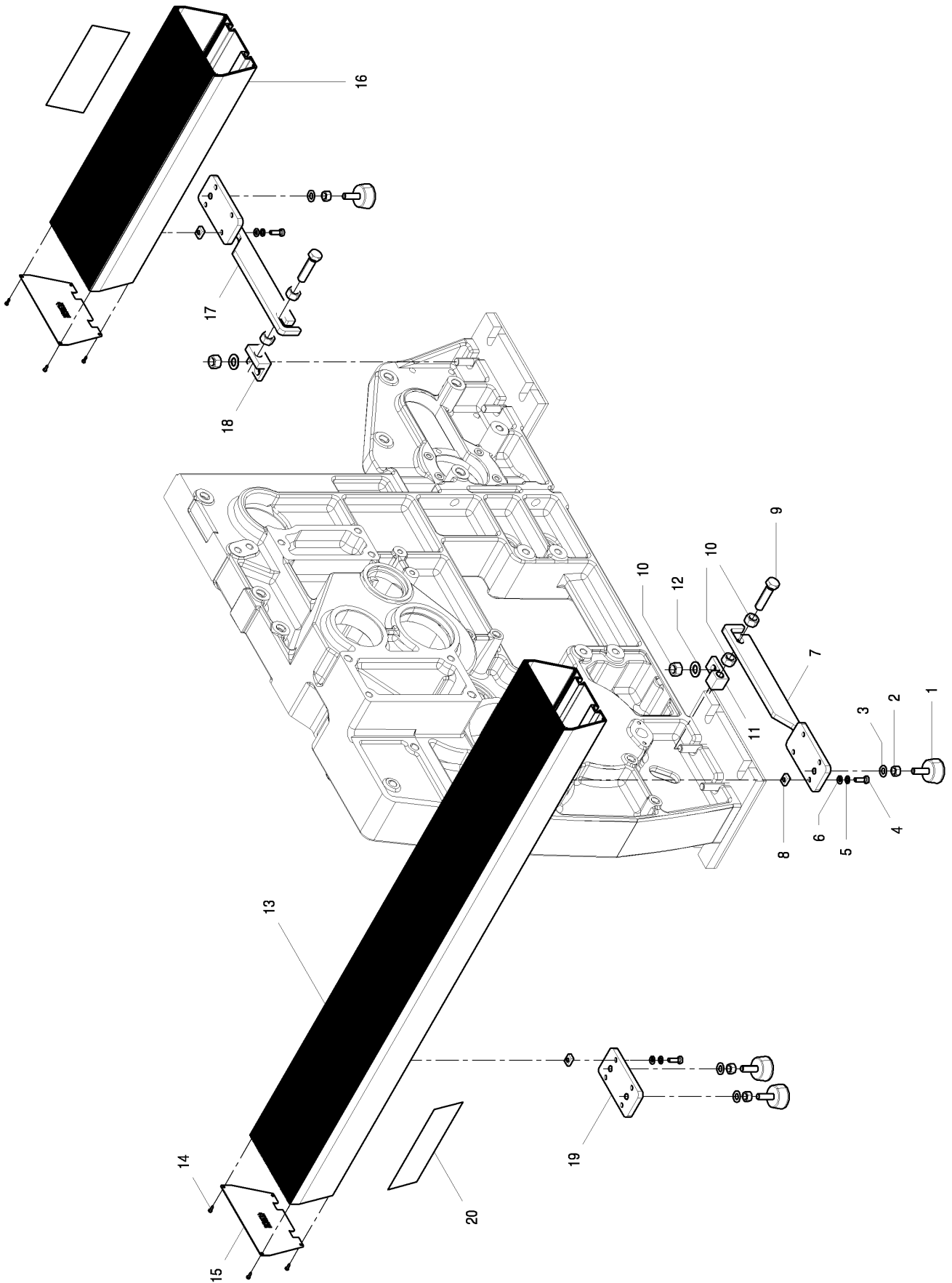
A9500	FRONT AND BACK BOARD	ZA110-00
	Valid lots from to	10/11/2015



A9500	FRONT AND BACK BOARD		ZA110-00
	Valid lots from to		10/11/2015

Pos.	Code	Widths	Remarks	Lots
3	VV11014		vite autof.ttc din.7971-p3,58x12,70 nich	
4	HTS053A			
5	HTS071A	1900		
5	HTS072A	2100		
5	HTS073A	2200		
5	HTS074A	2300		
5	HTS075A	2600		
5	HTS076A	2800		
5	HTS077A	3000		
5	HTS078A	3200		
5	HTS079A	3400		
5	HTS080A	3600		
6	LENM010			
7	LENM006			
8	LENM008			
9	LENM009			
10	LENM005			
11	110107009			
12	0017023		vite te m16x50 u5739 cl.10.9 brunita	
14	HDD011A			
15	0017023		vite te m16x50 u5739 cl.10.9 brunita	
16	0107001		dado esag. m16 uni5588 cl.8 zincato	
17	0013020		vite te m8x30 uni5739 cl8.8 zincata	
18	0143008		rond.di sic.zig.schnorr"s" 8.4x13x0,8 brunita	
19	0123001		rond.piana d=8,4 uni6592 zincata	
20	0013008		vite te m8x16 uni5739 cl8.8 zincata	

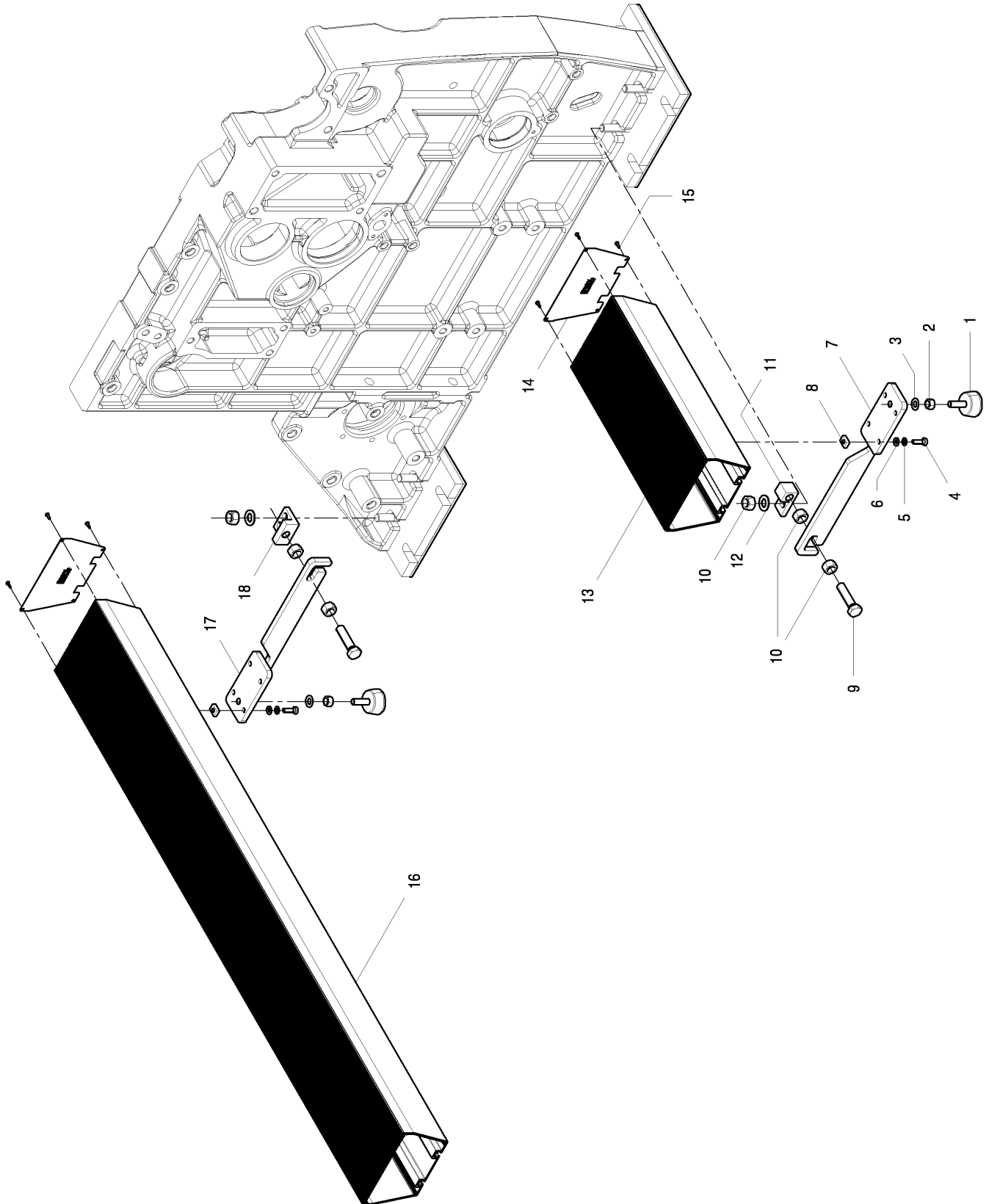
A9500	FRONT AND BACK BOARD TO THE LEFT Ø800	ZA115-00
	Valid lots from to	20/10/2015



A9500	FRONT AND BACK BOARD TO THE LEFT Ø800		ZA115-00
	Valid lots from to		20/10/2015

Pos.	Code	Widths	Remarks	Lots
1	2548498			
2	110105013			
3	VM11045		molla tazza din.2093 23x12,2x 1,25-262.600.068	
4	110013030			
5	VM11022		molla a tazza din.2093 15x8.2x0.7	
6	0123001		rond.piana d=8,4 uni6592 zincata	
7	131110205			
8	HDD011A			
9	110017031			
10	110107009			
11	131210316			
12	0127001		rond.piana d=17 uni6592 zincata	
13	HTS056A	1900		
13	HTS057A	2100		
13	HTS058A	2200		
13	HTS059A	2300		
13	HTS060A	2600		
13	HTS061A	2800		
13	HTS062A	3000		
13	HTS063A	3200		
13	HTS064A	3400		
13	HTS065A	3600		
14	HTS053A			
15	VV11014		vite autof.ttc din.7971-p3,58x12,70 nich	
16	HTS071A	1900		
16	HTS072A	2100		
16	HTS073A	2200		
16	HTS074A	2300		
16	HTS075A	2600		
16	HTS076A	2800		
16	HTS077A	3000		
16	HTS078A	3200		
16	HTS079A	3400		
16	HTS080A	3600		
17	131110198			
18	131110199			
19	131110200			
20	2579007			

A9500	FRONT AND BACK BOARD TO THE RIGHT Ø800	ZA120-00
	Valid lots from to	20/10/2015



A9500	FRONT AND BACK BOARD TO THE RIGHT Ø800		ZA120-00
	Valid lots from to		20/10/2015

Pos.	Code	Widths	Remarks	Lots
1	2548498			
2	110105013			
3	VM11045		molla tazza din.2093 23x12,2x 1,25-262.600.068	
4	110013030			
5	VM11022		molla a tazza din.2093 15x8.2x0.7	
6	0123001		rond.piana d=8,4 uni6592 zincata	
7	131110205			
8	HDD011A			
9	110017031			
10	110107009			
11	131210316			
12	0127001		rond.piana d=17 uni6592 zincata	
13	HTS056A	1900		
13	HTS057A	2100		
13	HTS058A	2200		
13	HTS059A	2300		
13	HTS060A	2600		
13	HTS061A	2800		
13	HTS062A	3000		
13	HTS063A	3200		
13	HTS064A	3400		
13	HTS065A	3600		
14	HTS053A			
15	VV11014		vite autof.ttc din.7971-p3,58x12,70 nich	
16	HTS071A	1900		
16	HTS072A	2100		
16	HTS073A	2200		
16	HTS074A	2300		
16	HTS075A	2600		
16	HTS076A	2800		
16	HTS077A	3000		
16	HTS078A	3200		
16	HTS079A	3400		
16	HTS080A	3600		
17	131110198			
18	131110199			